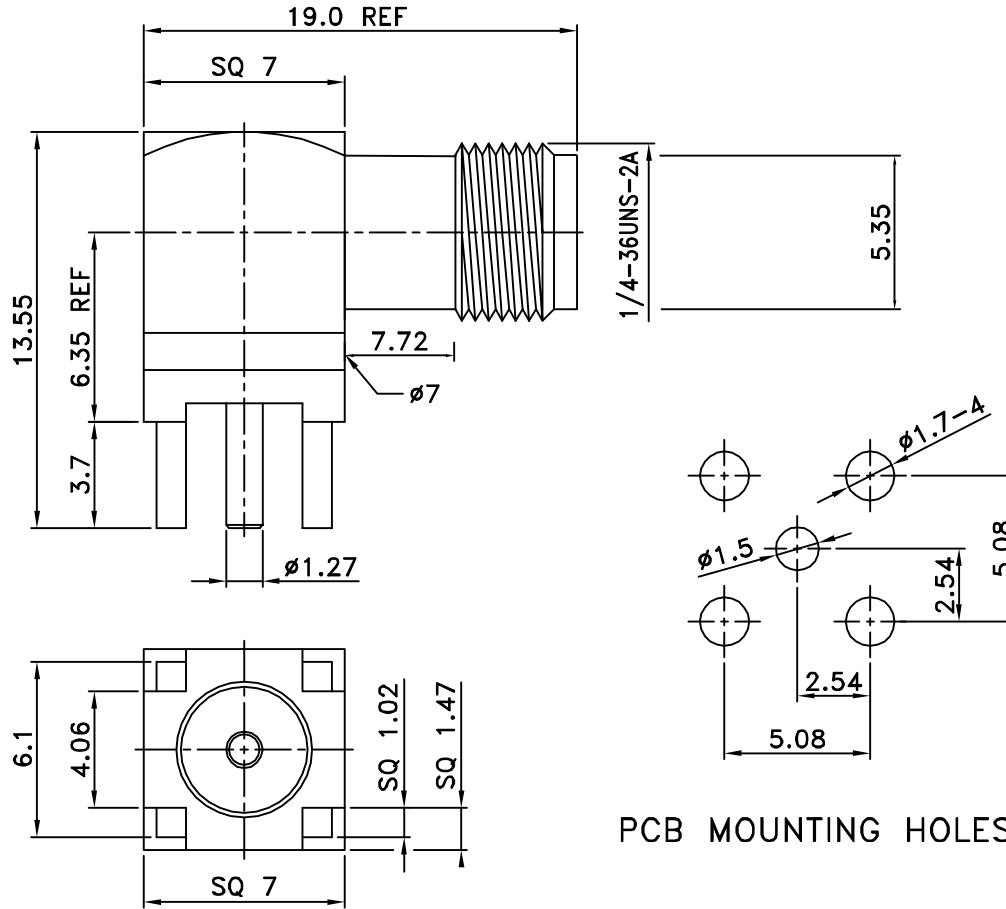


REV	DESCRIPTION\PER REQUEST	DRAWN	DATE

Mech. & Environ.
Durability: 500 Matings
Threads: .250-36
Cable Retention: 40 Lbs.
Temp. Range:
-65 - +165 deg C



Electrical
Impedance: 50 Ohm
Frequency Range: 0-18 GHz
VSWR: 1.25 Max.
Working Voltage (At Sea Level) 500V Peak
Insulation Resistance: 5000 Megohm Min.
Standard In. lb. Torque: 7-10
Max. In. lb. Torque: 15

NO	Description	Q'ty	Material	Finish
5	Dielectric	1	Teflon	None
4	Dielectric	1	Teflon	None
3	Pin	1	Phos Bronze	Gold
2	Body	1	Brass	Nickel
1	Body	1	Brass	Nickel

PART NO.	964T594
APPROVED	DATE 11/20/08
CHECKED	DATE 11/20/08
DRAWN	DATE 11/20/08

* MAJOR DIMENSION
UNLESS OTHERWISE NOTED TOLERANCES
0.5-6=±0.2
6-30=±0.4
30-120=±0.6
120-315=±1.0
ANGLES=±1°
SCALE
UNIT
mm

Bomar Interconnect Products, Inc	
TITLE SMA R/A P.C. BOARD MOUNT JACK	
DRAWING NO. SMA-1025-TGG	REV C
FILE NO. W:\DWG\COMPOSE\SMA\SMA-1025-TGG	BOMAR->20101220