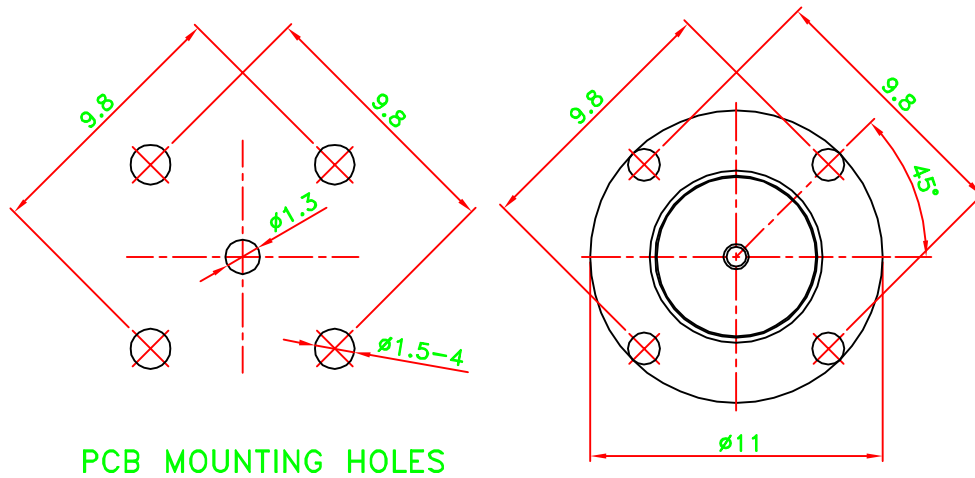


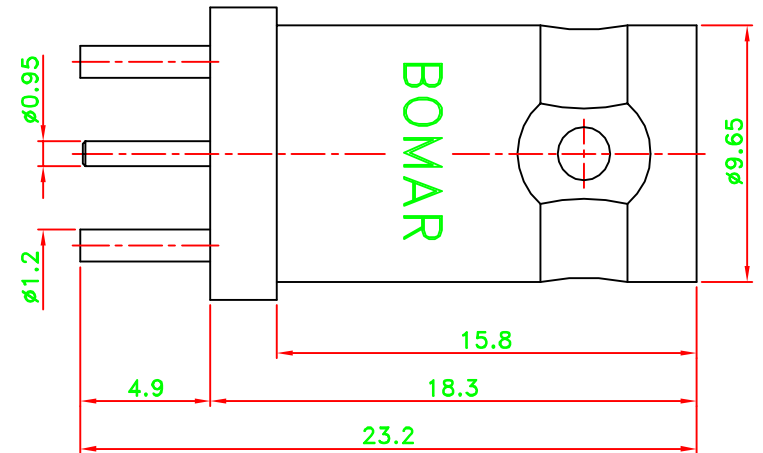
REV	DESCRIPTION\PER REQUEST	DRAWN	DATE

ELECTRICAL

Impedance	75 ohm
Frequency Range	0-2 GHz
Working Voltage	500 VRMS max. at sea level
Dielectric Withstanding Voltage	1500 VRMS min. at sea level
VSWR	Straight: 1.3 max. Right Angle: 1.5 max.
Contact Resistance	Center Contact: 3 Milliohms Max. Outer Contact: 2 Milliohms Max.
Insulator Resistance	5000 megohms min.



PCB MOUNTING HOLES



NO	Description	Q'ty	Material	Finish	PART NO.	DATE	* MAJOR DIMENSION	FILE NO. W:\AS\ASBNC\ASBNC-13191-75-TGN	
4	Press washer	1	Brass	Nickel	361P705	APPROVED	UNLESS OTHERWISE NOTED TOLERANCES 0.5-6=±0.2 6-30=±0.4 30-120=±0.6 120-315=±1.0 ANGLES=±1°	Bomar Interconnect Products, Inc	
3	Dielectric	1	Delrin	None		DATE			TITLE
2	Pin	1	Brass	Gold		04/11/08			BNC P.C. BOARD MOUNT JACK
1	Body	1	Zinc	Nickel		04/11/08			DRAWING NO. 361P705
					DRAWN	DATE	SCALE 4/1 UNIT mm	REV A	
					Kai	04/11/08			