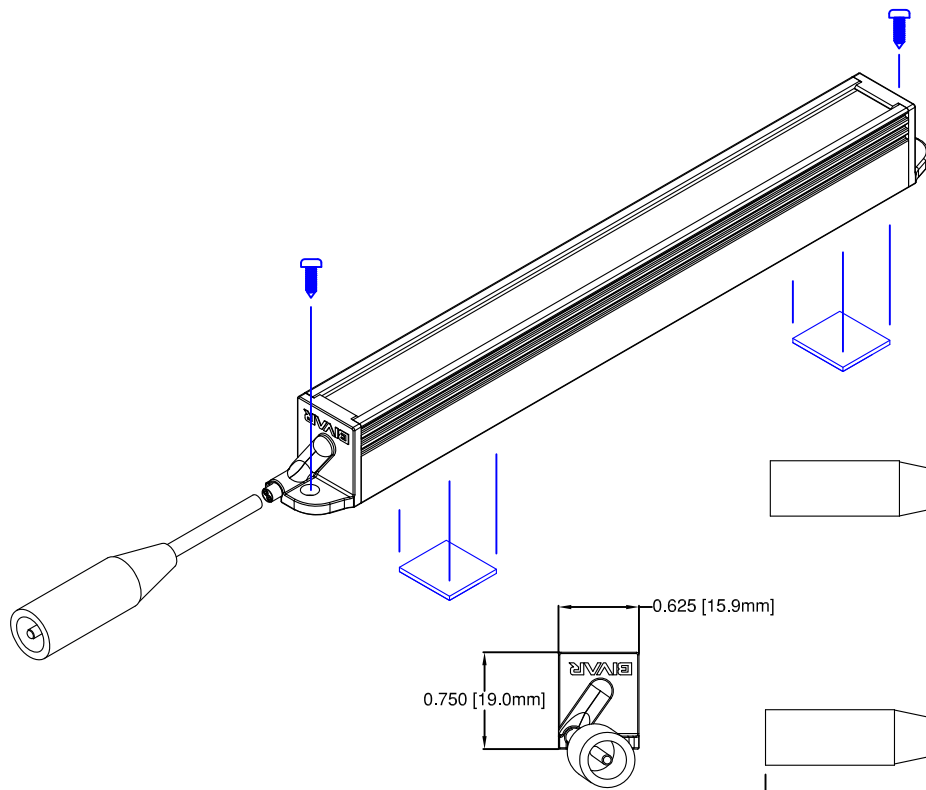
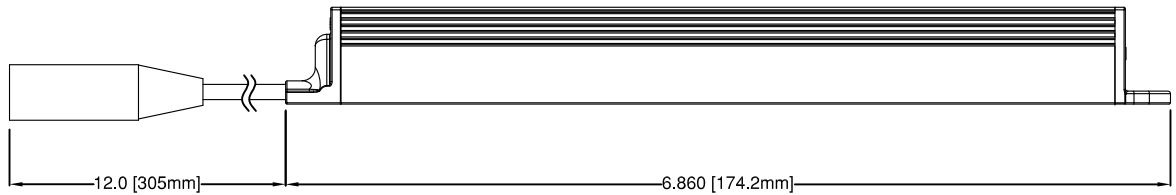
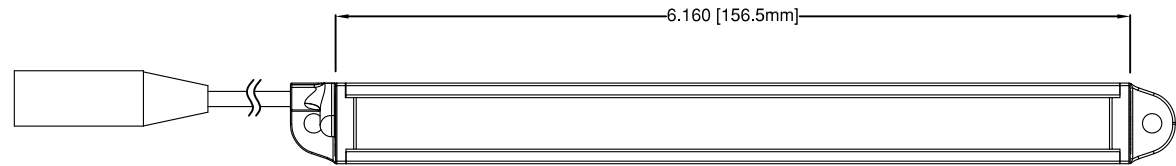


| REV. | DESCRIPTION | DATE | APPROVED |
|------|----------------------|----------|----------|
| F | Engineering Release. | 10/01/08 | T. Y. |
| | | | |
| | | | |
| | | | |



2x #6 Tapping Screws and Adhesive backing form tape are included in the product box.



| Product Number | Housing Color Options |
|----------------|-----------------------|
| TVSDL06M34 | Metallic Gray |
| TVSDL06M34B | Black |



1. Power Input: 24VDC / 100mA, Constant Current
2. Luminous Intensity Output: 96 Lumens
3. White Color Temperature: 6500K ~ 7500K
4. Output Projection: 100 Degreeed Total Angle



Mating Connector:
5.5 x 2.1 x 9mm DC Plug

| STANDARD TOLERANCE (UNLESS OTHERWISE SPECIFIED) | | BIVAR® | |
|--|--------------------------|--|----------------|
| DECIMALS | ANGULAR | 4 THOMAS, IRVINE, CA. 92618 | |
| .X ± .1 | X° ± 1° | TEL: (949) 951-8808 FAX: (949) 951-3974 | |
| .XX ± .01 | | TITLE: Thin Line Variable Segment Directional Lighting | |
| .XXX ± .005 | | PART NO: TVSDL06M34x | REVISION: F |
| DESIGNED: M. Chen | DATE: 04/30/07 | CAGE CODE : 32559 | SHEET # 1 OF 1 |
| CHECKED: F. Jensen | DATE: 10/01/08 | CAD GENERATED DOCUMENT, DO NOT MEASURE DRAWING. | |