

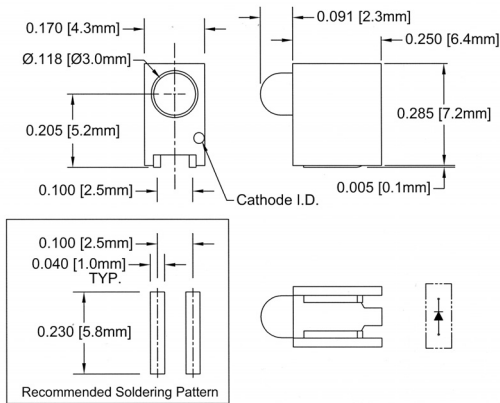
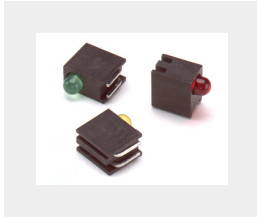
SURFACE MOUNT LEDs

90° SMD Assemblies

- Re-Flow and IR Compatible
- Many Combinations Available
- Housing Made from 94V-0 Rated Material
- 750 Pieces per Reel with Smaller Quantities Available Upon Request

SM200T Series

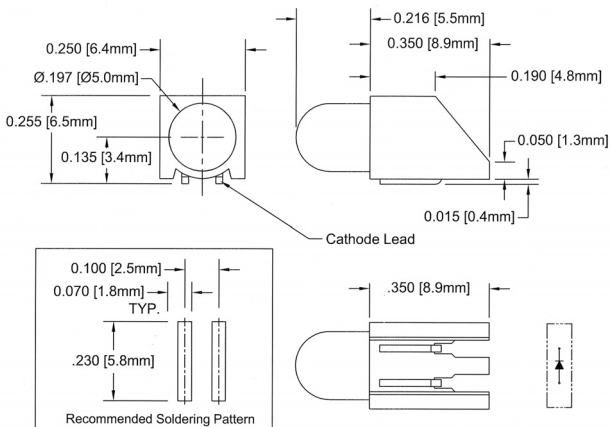
T-1 (3mm), .200" Centerline Assembly



LED Assy. No.	Peak Wave Length	Emitted Color	Lens Appearance	Abs. Max. Rating Vf If (mA)	Electro-Optical Data @20mA			Viewing Angle 2 θ 1/2 (deg)	LED P/N
					Vf (V)	Iv (mcd)	2 θ 1/2 (mcd)		
SM200BWDT	430	BLUE	DIFFUSED	25	4.0	4.5	20	45	3BWD
SM200GDT	565	GREEN	DIFFUSED	30	2.2	2.6	30	45	3GD
SM200YDT	585	YELLOW	DIFFUSED	30	2.1	2.6	20	45	3YD
SM200HDT	635	HE RED	DIFFUSED	30	2.0	2.6	30	45	3HD
SM200RDT	655	RED	DIFFUSED	40	1.7	2.0	6	45	3RD
SM200SRDT	660	SUPER RED	DIFFUSED	20	1.7	2.6	90	45	3SRD
Low Current					Data @2mA				
SM200GDLT	565	GREEN	DIFFUSED	5	1.9	2.2	6	45	3GDL
SM200YDLT	585	YELLOW	DIFFUSED	5	1.9	2.2	4	45	3YDL
SM200HDLT	635	HE RED	DIFFUSED	5	1.8	2.2	6	45	3HDL
5 Volt					Data @10mA				
SM200GD5VT	565	GREEN	DIFFUSED	8	-	5.0	30	45	3GD5V
SM200YD5VT	585	YELLOW	DIFFUSED	8	-	5.0	20	45	3YD5V
SM200HD5VT	635	HE RED	DIFFUSED	8	-	5.0	30	45	3HD5V

SM500T Series

T-1^{3/4} (5mm), .135" Centerline Assembly



LED Assy. No.	Peak Wave Length	Emitted Color	Lens Appearance	Abs. Max. Rating If (mA)	Electro-Optical Data @20mA			Viewing Angle 2 θ 1/2 (deg)	LED P/N
					Vf (V)	Iv (mcd)	2 θ 1/2 (mcd)		
SM500BWDT	430	BLUE	DIFFUSED	25	4.0	4.5	20	45	5BWD
SM500GDT	565	GREEN	DIFFUSED	30	2.2	2.6	30	45	5GD
SM500YDT	585	YELLOW	DIFFUSED	30	2.1	2.6	20	45	5YD
SM500HDT	635	HE RED	DIFFUSED	30	2.0	2.6	30	45	5HD
SM500RDT	655	RED	DIFFUSED	40	1.7	2.0	6	45	5RD
SM500SRDT	660	SUPER RED	DIFFUSED	20	1.7	2.6	90	45	5SRD
Low Current					Data @2mA				
SM500GDLT	565	GREEN	DIFFUSED	5	1.8	2.2	3	45	5GDL
SM500YDLT	585	YELLOW	DIFFUSED	5	1.9	2.2	3	45	5YDL
SM500HDLT	635	HE RED	DIFFUSED	5	1.8	2.2	3	45	5HDL
5 Volt					Data @10mA				
SM500GD5VT	565	GREEN	DIFFUSED	12	-	5.0	25	45	5GD5V
SM500YD5VT	585	YELLOW	DIFFUSED	12	-	5.0	20	45	5YD5V
SM500HD5VT	635	HE RED	DIFFUSED	12	-	5.0	50	45	5HD5V