

# 90° LED ASSEMBLIES

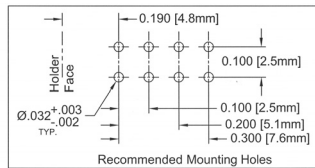
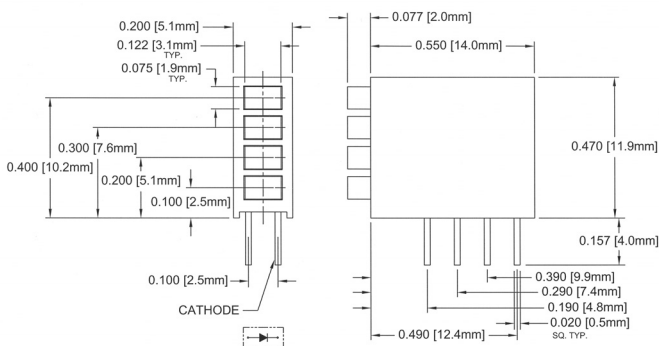
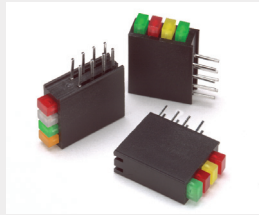
## Sub-Miniature (1.8mm and 2mm) Quad Level Assemblies

- Space Saving Design
- Vibration and Shock Resistant

- Industry Standard Footprint
- High Reliability

### H480C Series

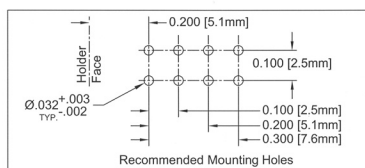
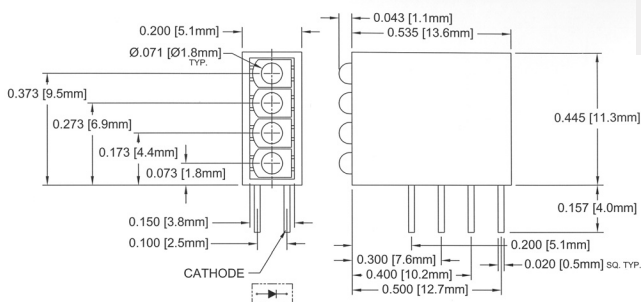
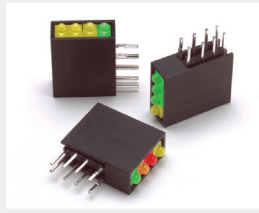
Rectangular 2mm x 3mm  
90° Assembly



LED Assy. No.	Peak Wave Length	Emitted Color	Lens Appearance	Electro-Optical Data @20mA			Viewing Angle 2 θ 1/2 (deg)	LED P/N
				If (mA)	Vf (V)	Iv (mcd)		
				TYP	TYP, MAX	TYP		
H480CGD	568	GREEN	DIFFUSED	20	2.2	2.6	8.0	R3GD
H480CYD	585	YELLOW	DIFFUSED	20	2.1	2.6	4.0	R3YD
H480CHD	635	HE RED	DIFFUSED	20	2.0	2.6	4.0	R3HD
<b>Low Current</b>				<b>Data @2mA</b>				
H480CGDL	568	GREEN	DIFFUSED	2	1.8	2.6	0.8	R3GDL
H480CYDL	585	YELLOW	DIFFUSED	2	1.8	2.6	0.4	R3YDL
H480CHDL	635	HE RED	DIFFUSED	2	1.8	2.6	0.4	R3HDL
<b>5 Volt</b>				<b>Data @10mA</b>				
H480CGD5V	568	GREEN	DIFFUSED	10	5.0	-	5.0	R3GD5V
H480CYD5V	585	YELLOW	DIFFUSED	10	5.0	-	5.0	R3YD5V
H480CHD5V	635	HE RED	DIFFUSED	10	5.0	-	5.0	R3HD5V

### H485C Series

1.8mm 90° Quad Level  
Assembly



LED Assy. No.	Peak Wave Length	Emitted Color	Lens Appearance	Electro-Optical Data @20mA			Viewing Angle 2 θ 1/2 (deg)	LED P/N
				If (mA)	Vf (V)	Iv (mcd)		
				TYP	TYP, MAX	TYP		
H485CGD	565	GREEN	DIFFUSED	20	2.2	2.6	5.0	1.8GD
H485CYD	585	YELLOW	DIFFUSED	20	2.1	2.6	4.5	1.8YD
H485CHD	635	HE RED	DIFFUSED	20	2.0	2.6	5.0	1.8HD
<b>Low Current</b>				<b>Data @2mA</b>				
H485CGDL	565	GREEN	DIFFUSED	2	1.9	2.3	0.5	1.8GDL
H485CYDL	585	YELLOW	DIFFUSED	2	1.8	2.2	0.4	1.8YDL
H485CHDL	635	HE RED	DIFFUSED	2	1.7	2.2	0.5	1.8HDL