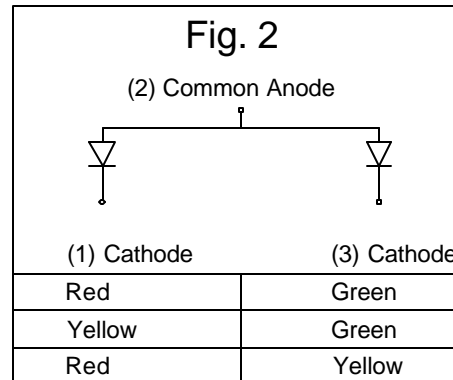
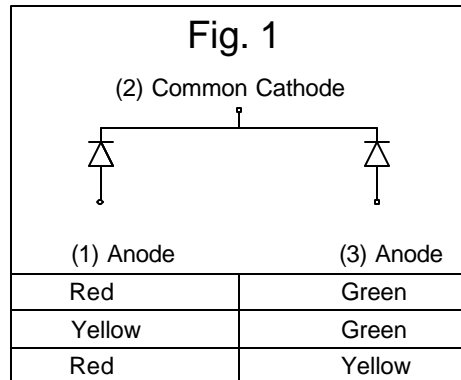
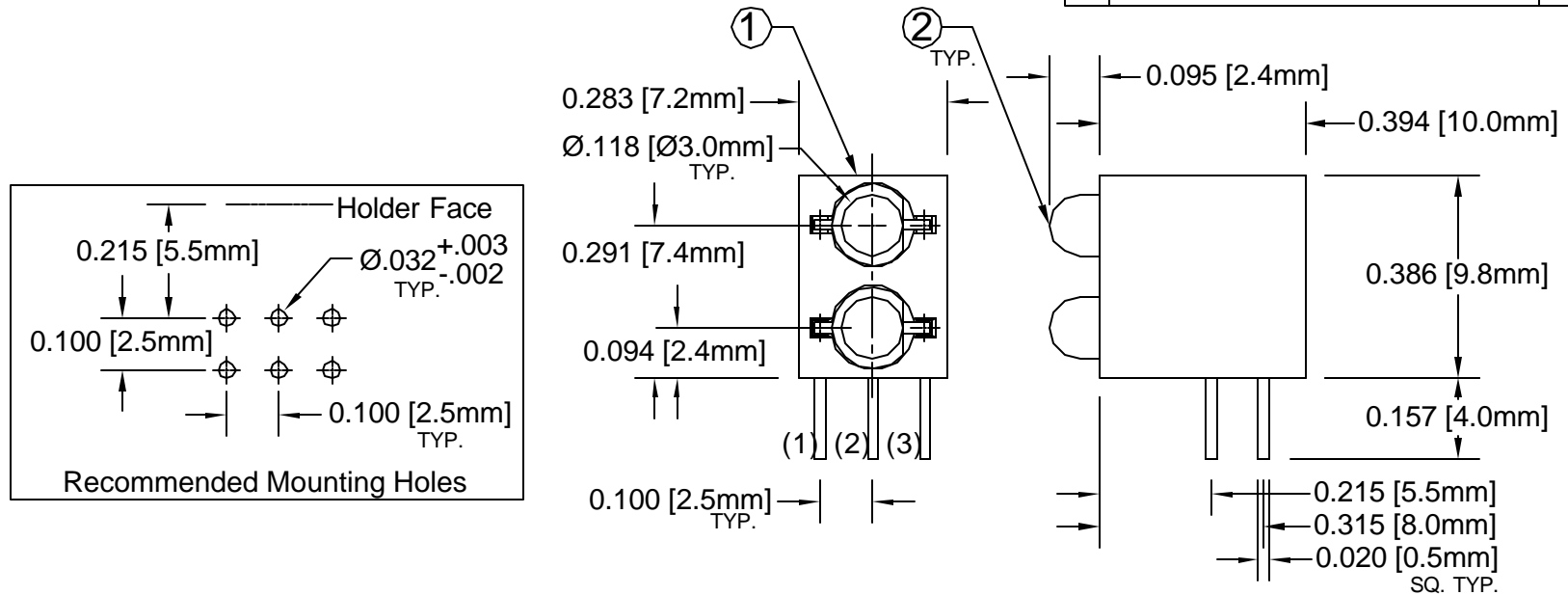


ITEM	Q'TY	PART NUMBER	PART DESCRIPTION
1	1	H-280C	T-1 (3mm) Bi-Level Tri-Lead LED Holder, 90° Mount
2	2	3BC-3-XXXX-F	T-1 (3mm) Bi-Color/Tri-Color Flanged LED, See Page 2

REV.	DESCRIPTION	DATE	APPROVED
A	Engineering Update w/o Changes	03/05/04	M. C.
B	Removed Fig. 3	04/05/05	M. C.





## ABSOLUTE MAXIMUM RATINGS (Ta=25° C)

REVERSE VOLTAGE	_____	5V
REVERSE CURRENT	_____	100uA
OPERATING TEMPERATURE RANGE	_____	-25° C - 85° C
STORAGE TEMPERATURE	_____	-30° C - 100° C
LEAD SOLDERING TEMPERATURE(1/16" FROM BODY)	_____	260° C FOR 5 SECONDS

STANDARD TOLERANCE ( UNLESS OTHERWISE SPECIFIED )		<b>BIVAR®</b>	
DECIMALS	ANGULAR	4 THOMAS, IRVINE, CA. 92618 TEL: (949) 951-8808 FAX: (949) 951-3974	
.X ±.1	X° ± 1°	<b>TITLE:</b> T-1 (3MM) BI-COLOR 3 LEAD 90° BI-LEVEL LED ASSY	
.XX ±.02		<b>PART NO:</b> H280CBCXXXX	<b>REVISION:</b> B
.XXX ±.010		<b>CAGE CODE:</b> 32559	<b>SHEET #</b> 1 <b>OF</b> 2
DESIGNED: <b>David Green</b>	DATE: <b>03/05/04</b>	CAD GENERATED DOCUMENT. DO NOT MEASURE DRAWING.	
CHECKED: <b>M. Chen</b>	DATE: <b>03/05/04</b>		

REV.	DESCRIPTION	DATE	APPROVED
	SEE SHEET#1.		

LED Assy. No.	Peak Wave Length $\lambda_p$ (nm)	Emitted Color	Lens Appearance	Abs. Max. Rating	Electro-Optical Data @ 20mA			Viewing Angle $2\theta \pm \frac{1}{2}$ (Deg)	LED P/N
				If (mA)	Vf (V)		Iv (mcd)		
					TYP	MAX	TYP		
H280CBC (Fig. 1)	635	HE RED	WHITE DIFFUSED	30	2.0	2.6	35.0	40	3BC-3-F
	568	GREEN		30	2.2	2.6	35.0		
H280CBC-Y/G (Fig. 1)	585	YELLOW	WHITE DIFFUSED	30	2.1	2.6	30.0	40	3BC-3-Y/G-F
	568	GREEN		30	2.2	2.6	35.0		
H280CBC-CA (Fig. 2)	635	HE RED	WHITE DIFFUSED	30	2.0	2.6	35.0	40	3BC-3-CA-F
	568	GREEN		30	2.2	2.6	35.0		
H280CBC-Y/G-CA (Fig. 2)	585	YELLOW	WHITE DIFFUSED	30	2.1	2.6	30.0	40	3BC-3-Y/G-CA-F
	568	GREEN		30	2.2	2.6	35.0		

STANDARD TOLERANCE ( UNLESS OTHERWISE SPECIFIED ) $\pm 10\%$ ALL VALUES <u>ANGULAR</u> X° $\pm 5^\circ$		 4 THOMAS, IRVINE, CA. 92618 TEL: (949) 951-8808    FAX: (949) 951-3974	
		<b>TITLE:</b> T-1 (3MM) BI-COLOR 3 LEAD 90° BI-LEVEL LED ASSY	
DESIGNED: <b>Ty Yin</b>	DATE: <b>03/05/04</b>	<b>PART NO:</b> H280CBCXXXX	REVISION: <b>B</b>
CHECKED: <b>D. Green</b>	DATE: <b>03/05/04</b>	<b>CAGE CODE :</b> 32559	<b>SHEET # 2 OF 2</b>
CAD GENERATED DOCUMENT. DO NOT MEASURE DRAWING.			