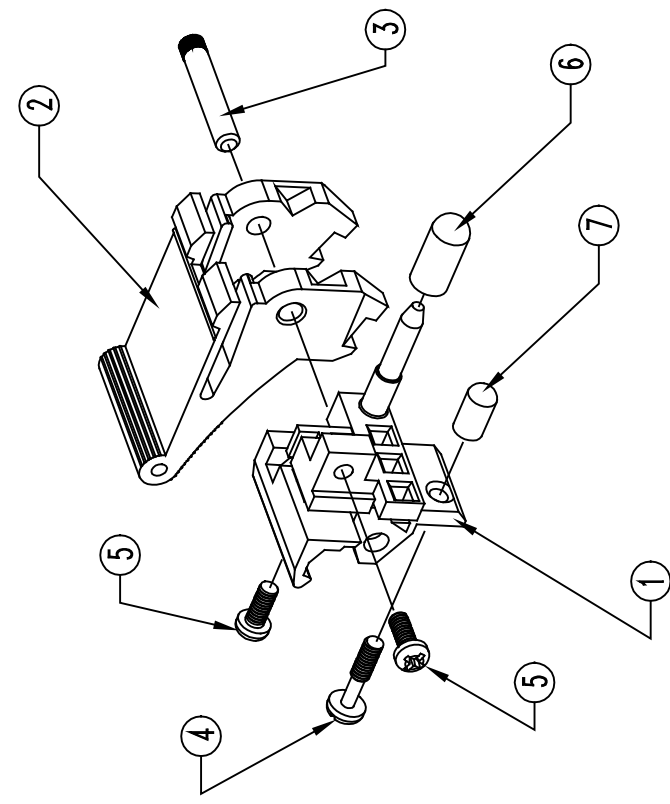
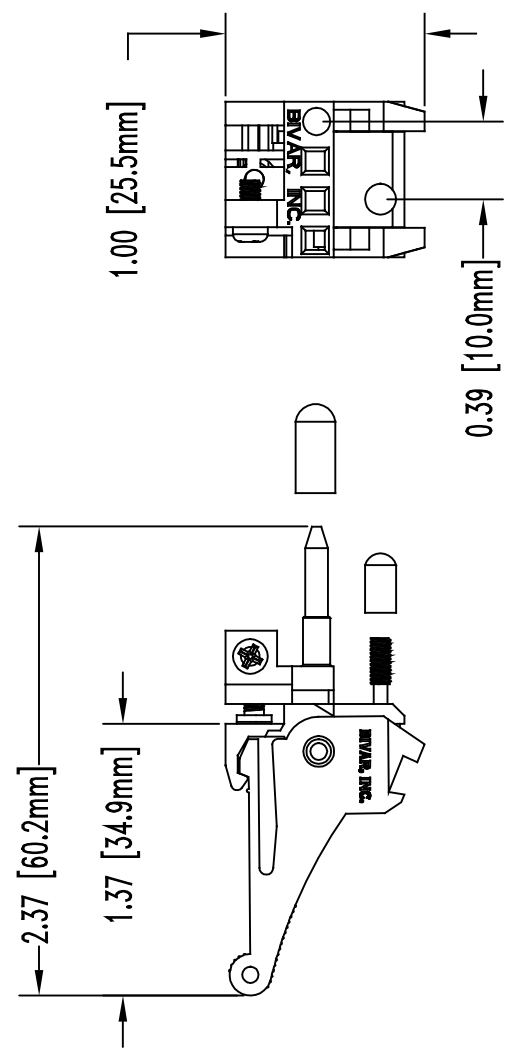
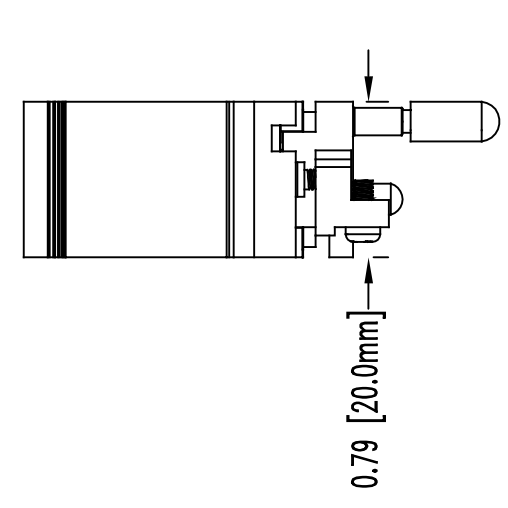
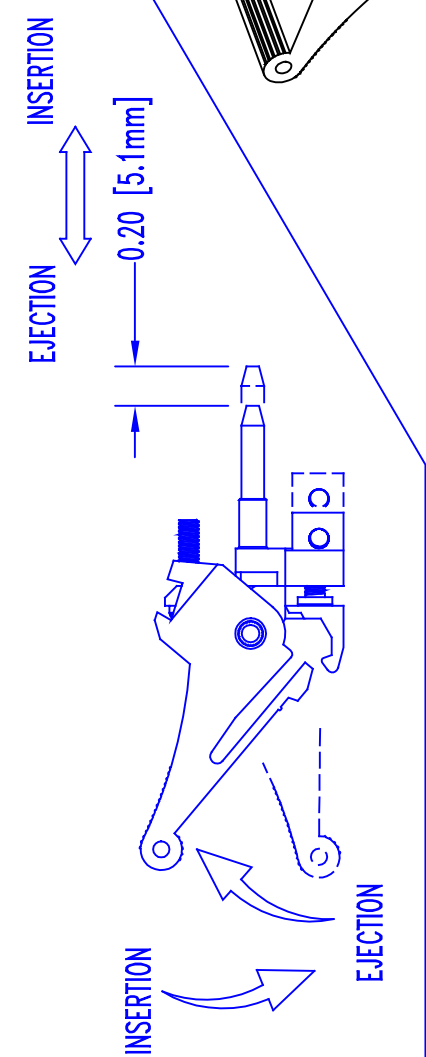


REV	DESCRIPTION	DATE	APPROVED
A	Re-Release for Production with No Changes.	06/24/02	M.C.



ITEM QTY	PART NUMBER	PART DESCRIPTION
1	BP970B-BVR	BLOCK, TOP, KEYED EJECTOR HANDLE.
2	BP990-BVR	EJECTOR HANDLE, E1
3	BP990S	PIN, EJECTOR HANDLE PIVOT
4	BP9710	M2.5 X 0.45 X 11mm CAPTIVE SCREW
5	BP9720	M2.5 X 0.45 X 6mm PAN SCREW
6	BP9750T	SLEEVE TUBE, EJECTOR PIN
7	BP9750TS	SLEEVE TUBE, CAPTIVE SCREW

UNLESS OTHERWISE SPECIFIED, DIMENSIONS ARE IN INCHES.

TOLERANCES	ANGULAR
DECIMALS	
.X	± .1
.XX	± .01
.XXX	± .005

DESIGNER: Michael Chen  
CHECKER: S. Irving

DATE: 03/29/01  
DATE: 06/24/02

SCALE: 1=1

CAGE CODE: 32559

SHEET 1 OF 1

**Bivar®**  
4 THOMAS, IRVINE, CA.92618  
TEL: (949) 951-8808 FAX: (949) 951-8974

PART NAME:  
CPCI EJECTOR HANDLE, TOP, STYLE E1

SIZE: A  
DWG NO: CPCI-E1-T  
REV: A