

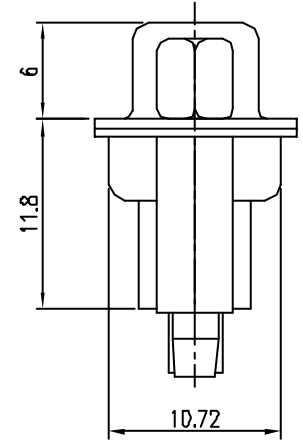
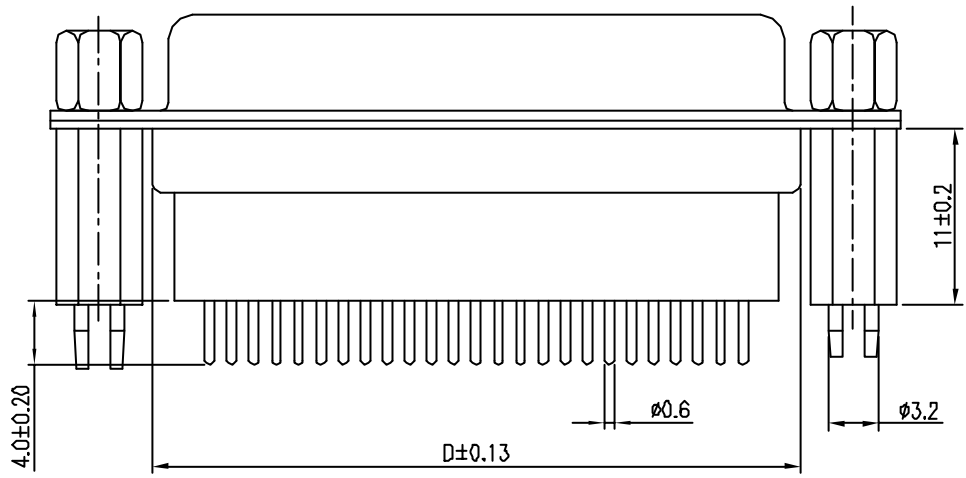
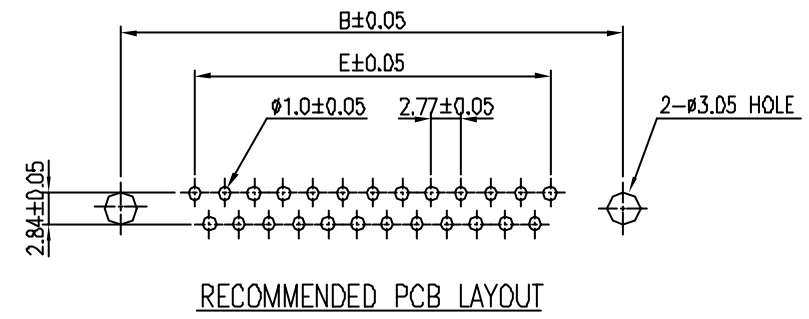
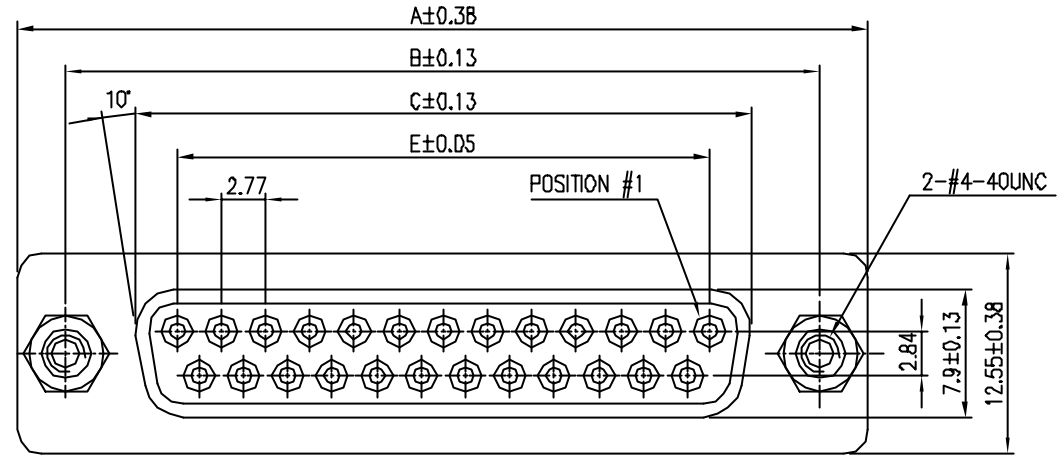
This document is the property of Amphenol Corporation and is delivered on the express condition that it is not to be disclosed, reproduced or used, in whole or in part, for manufacture or sale by anyone other than Amphenol Corporation without its prior consent, and that no right is granted to disclose or to use any information in this document.

MFG CODE: VY-S01

CUSTOMER DRAWING

REVISIONS				
SYM	EQN No.	DESCRIPTION	DATE	APPROVED
A		RELEASE TO PRODUCTION	04/29/2002	Arthur Huang

ORIGINAL



TOLERANCE m/m	
x.	±0.30
x.x	±0.25
x.xx	±0.15
x.xxx	±0.08
ANGULAR	±2°
UNLESS OTHERWISE SPECIFIED	

PART NUMBERS	NO. OF CONTACTS	DIMENSION					APPROVALS	DATE	TITLE	DRAWING NO.	SCALE	SHEET 1 OF 1	REV.
		A	B	C	D	E							
G17T 090X X22L	9	30.84	24.99	16.24	19.28	11.09	DRAWN Sondra Sang	04/29/02	G17T SERIES D-SUB RECEPTACLE STRAIGHT PCB MOUNT	Amphenol® Amphenol Corporation Amphenol Taiwan Corporation	N.A.	1	A
G17T 150X X22L	15	39.24	33.32	24.56	27.51	19.39							
G17T 250X X22L	25	53.04	47.04	38.38	41.30	33.24	CHECKED Ivy Hsu	04/29/02					
G17T 370X X22L	37	69.32	63.50	54.76	57.71	49.86							
							APPROVED Arthur Huang	04/29/02					
							UNIT MM	SIZE A3	PART NO. G17T XX0X X22L	DRAWING NO. DSUB-G17TXX0X22L-25			