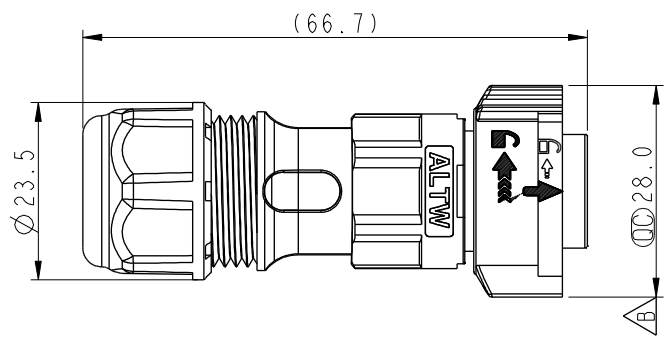
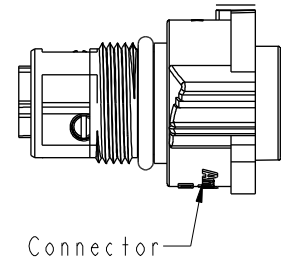
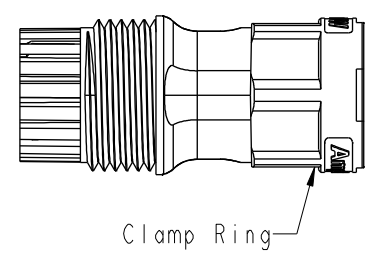
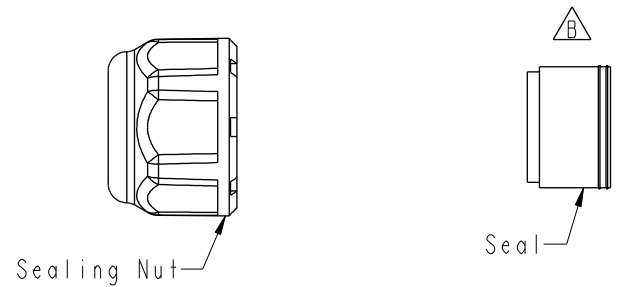


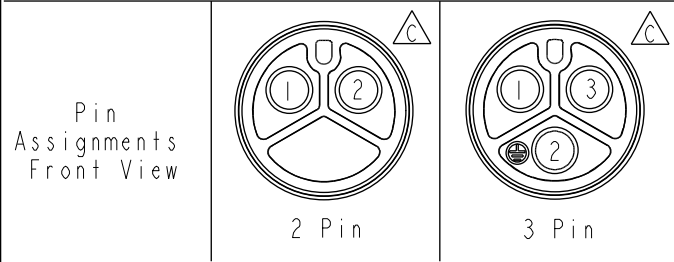
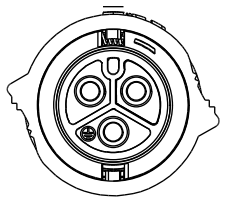
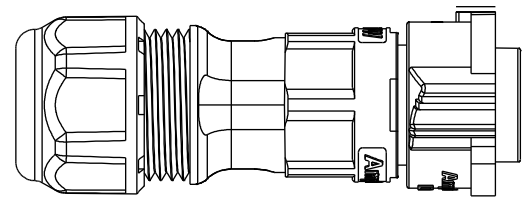
THIS DOCUMENT IS SUBJECT TO CHANGE WITHOUT NOTICE. IT IS CONFIDENTIAL AND A PROPERTY OF AMPHENOL LTW. DISCLOSURE TO THIRD PARTY HAS TO BE AUTHORIZED BY AMPHENOL LTW.

REV.	ECN NO.	DATE	SIGN	DESCRIPTION
A	Initial Release	2018/06/20	Mafei	Change Rev.01 To Rev.A
B	E191814	2019/10/23	Ruru	$\triangle B$ X4
C	C200639	2020/05/11	Victor Hung	$\triangle C$ X2



CC-XXBFMB-QL8XPP  
 02-2Pin  
 03-3Pin

- S: With Red Color Seal 1, Cable OD 6.0~8.0mm.
- M: With Yellow Color Seal 2, Cable OD 8.0~10.0mm.
- L: With Blue Color Seal 3, Cable OD 10.0~12.0mm.
- A: With Seal 1 & Seal 2 & Seal 3.

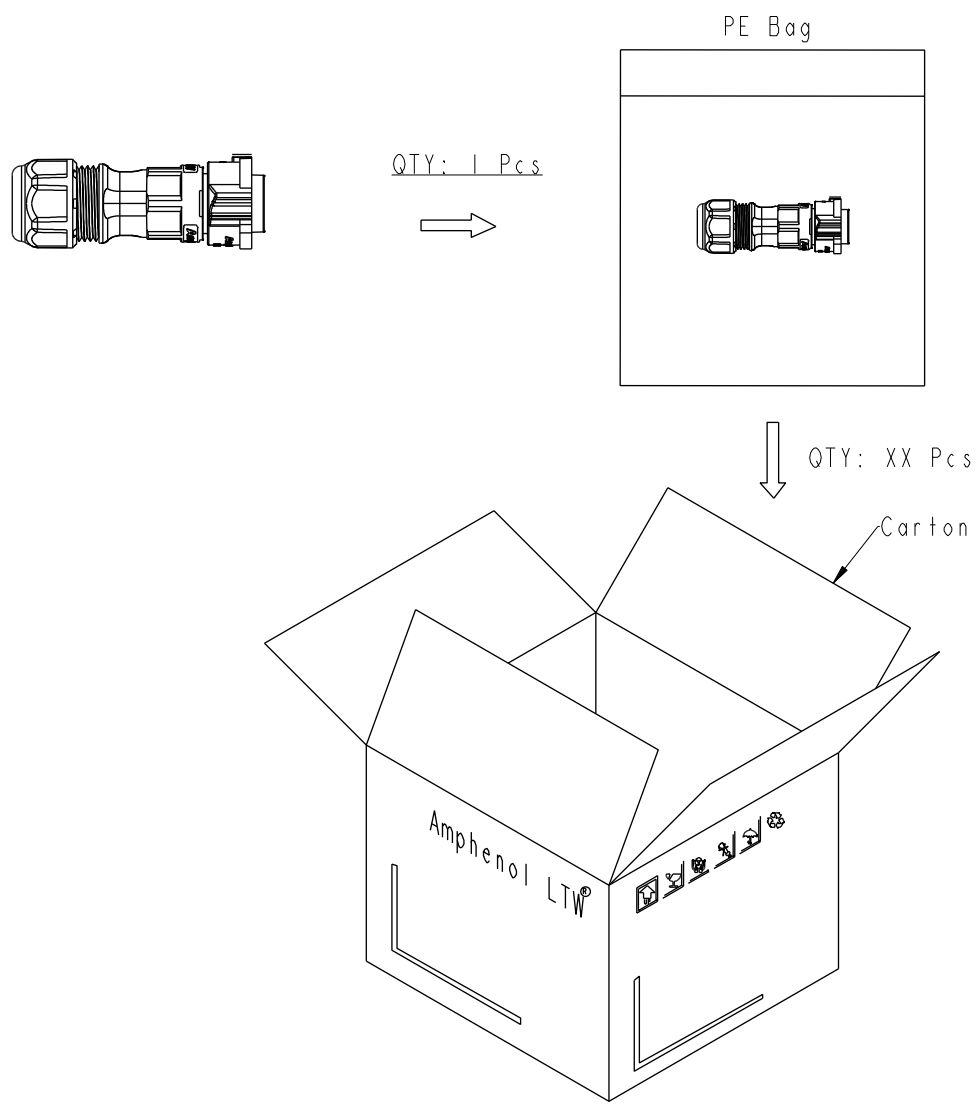


- $\triangle B$  Note:
- \*  $\text{CC}$  Important Dimension
  - \* Waterproof Rate: IP68, Mated  
IP68 : 1M Depth Of Water In 24hours
  - \* Housing: Thermoplastic, Black
  - \* Pin: Copper Alloy, Gold Plated
  - \* Clamp Ring: Thermoplastic, Black
  - \* Sealing Nut: Thermoplastic, Black
  - \* Seals: Rubber

UNIT:mm		TITLE XLOK, C-20A, 03P, CABLE W/O SR F, M, FI SCREW IN, XLOK $\triangle B$		
TOLERANCE	$\pm 0.5$ mm	SCALE 8:5	SIZE A4	SHEET 1 OF 2
REV. C	WC-REV. A.3	$\text{CC}$ : Inspection item		

**Amphenol LTW**  
 安費諾亮泰企業股份有限公司

ITEM NO	DRAWN BY Victor Hung	DATE 2020/05/11
DWG NO CC-XXBFMB-QL8XPP	CHECKED BY Aric Ko	DATE 2020/05/11
CUSTOMER ALTW	APPROVED BY Max Yang	DATE 2020/05/11



Note:  
 \* One Set Unassembled In One PE Bag.  
 (每一組未組裝, 放置於一個PE袋, 並封口, 如圖示)  
 \* Label is Attached To PE Bag Front.  
 (標籤貼在PE袋正面)

UNIT: mm		TITLE XLOK, C-20A, 03P, CABLE W/O SR F, M, FI SCREW IN, XLOK		
TOLERANCE ±0.5 mm		SCALE 8:5	SIZE A4	SHEET 2 OF 2
		REV. C	WC-REV. A.3	: Inspection item

**Amphenol LTW**  
 安費諾亮泰企業股份有限公司

ITEM NO	DRAWN BY Victor Hung	DATE 2020/05/11
DWG NO CC-XXBFMB-QL8XPP	CHECKED BY Aric Ko	DATE 2020/05/11
CUSTOMER ALTW	APPROVED BY Max Yang	DATE 2020/05/11