

LED 1 OPTION, LED 2 OPTION, SHIELD, .649 [16.50], .500 [12.70], .531 [13.50], .620 [15.75], .103 [2.62], .135 [3.43], .212 [5.40], .540 [13.72], .360 [9.14], .281 [7.14], .040 [1.02], .070 [1.78], .135 [3.43], .500 [12.70], .639 [16.25], .360 [9.14]

**TYPE AR**  
LED JACK .531" HEIGHT  
TOP TAB & TOP LEDs, THRU HOLE  
8P8C

**MTJ-88ARX1-FS-LG**  
Also available with panel ground tabs

LED 1 OPTION, LED 2 OPTION, SHIELD, .649 [16.50], .445 [11.30], .055 [1.41], .452 [11.48], .630 [16.00], .630 [16.00], .594 [15.10], .531 [13.50], .441 [11.20], .086 [2.20], .063 [1.60], .177 [4.50], .171 [4.35], .552 [14.02], .452 [11.48], .352 [8.94], .070 [1.78], .142 [3.60], .057 [1.45], .281 [7.14], .031 [0.80], .171 [4.35], .630 [16.00]

**TYPE AA**  
LED JACK BOTTOM TAB &  
BOTTOM LEDs THRU HOLE  
8P8C

**MTJ-88AAX1-FS-LG**

LED 1 OPTION, LED 2 OPTION, .720 [18.30], .620 [15.75], .500 [12.70], .505 [12.83], .610 [15.50], .195 [4.95], .085 [2.16], .230 [5.84], .135 [3.43], .540 [13.72], .020 [0.51], .090 [2.29], .035 [0.90], 12 PLCS, .100 [2.54], .100 [2.54], .040 [1.02], .281 [7.14], .500 [12.70], .128 [3.25]

**TYPE D**  
TOP ENTRY LED JACK .610" HEIGHT WITH LEDs, NON-SHIELDED  
8P8C

**MTJ-88DX1-LG**

Add suffix to end of P/N:

LED CONFIGURATION		
SUFFIX	LED 1	LED 2
LA	YELLOW	YELLOW
LD	GREEN	GREEN

See pg. 43 for additional LED options

**Recommended PCB Layout**

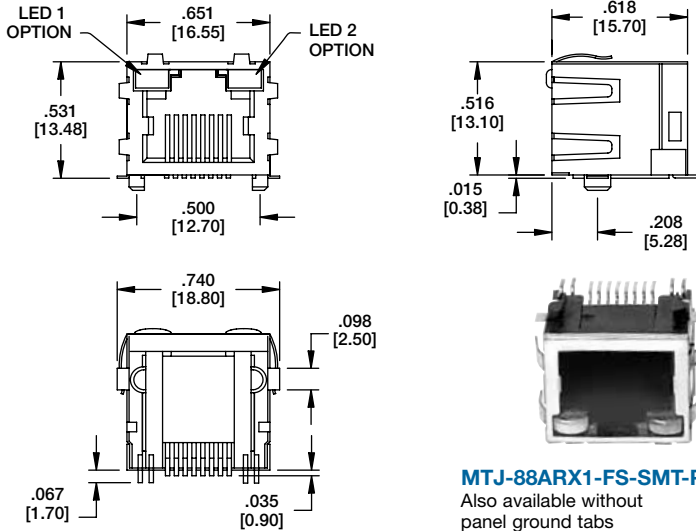
### JACKS WITH LEDs ORDERING INFORMATION

<b>MTJ</b>	<b>8</b>	<b>8</b>	<b>AR</b>	<b>2</b>	<b>1</b>	<b>LD</b>
<b>SERIES INDICATOR</b> MTJ = Modular telephone jack	<b>HOUSING PLUG SIZE</b> 8 or 10	<b>NO. OF CONTACT POSITIONS FILLED</b> 6, 8 or 10	<b>HOUSING TYPE</b> AR, AA, D, G	<b>PLATING</b> X = Gold Flash 0 = 15 μin gold 1 = 30 μin gold 2 = 50 μin gold	<b>BODY COLOR</b> 1 = Black 2 = Gray	<b>LED CONFIGURATION</b> See Chart above Leave blank for no LEDs

**OPTIONS:**  
**SMT** = Surface mount tails with Hi-Temp insulator  
**PG** = Panel Ground Tabs  
**LX** = LEDs, use LA, LD, LG, LH, LI, see LED Configuration Chart

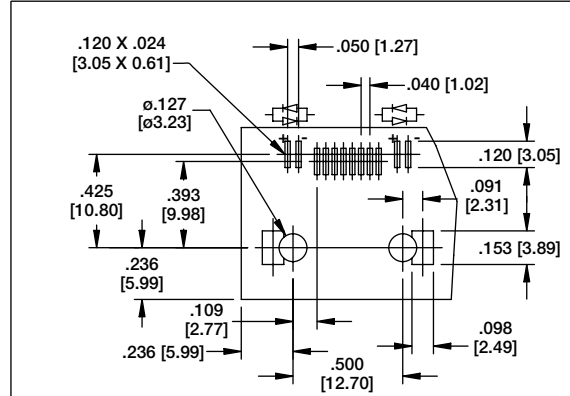
Ordering Information pg. 29

**TYPE AR  
WITH SMT OPTION  
8P8C**



**MTJ-88ARX1-FS-SMT-PG-LG**

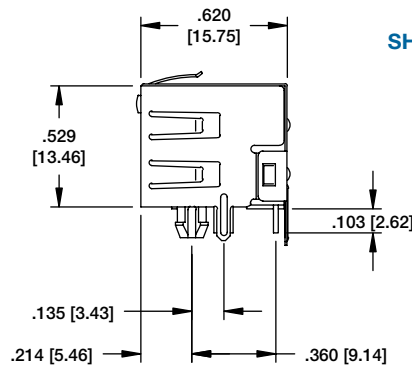
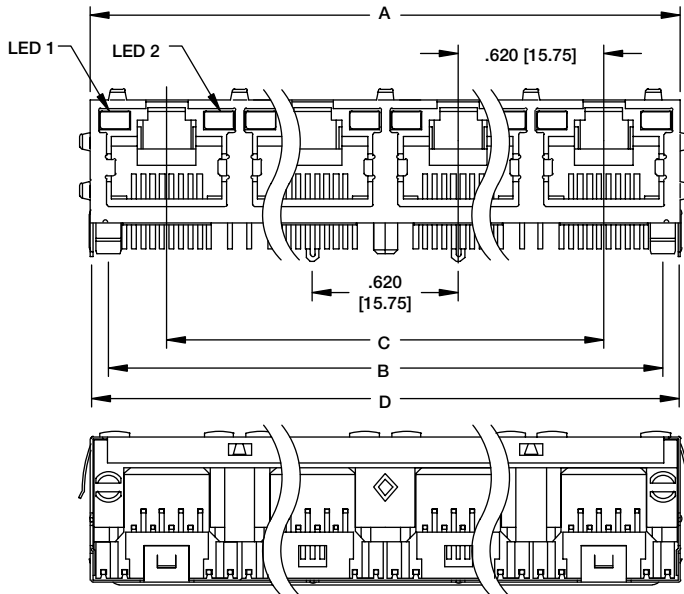
Also available without panel ground tabs



**Recommended PCB Layout**

Ordering Information pg. 34

**TYPE AR  
GANGED WITH METAL  
SHIELD, PANEL GROUND  
TABS AND  
LED OPTION  
8P8C**



**MTJG-4-88ARX1-FSM-PG-LG**

Shown with metal shield, panel ground tabs and LED options

Add suffix to end of P/N:

LED CONFIGURATION		
SUFFIX	LED 1	LED 2
LA	YELLOW	YELLOW
LD	GREEN	GREEN

**2, 4 & 8 Ports available**

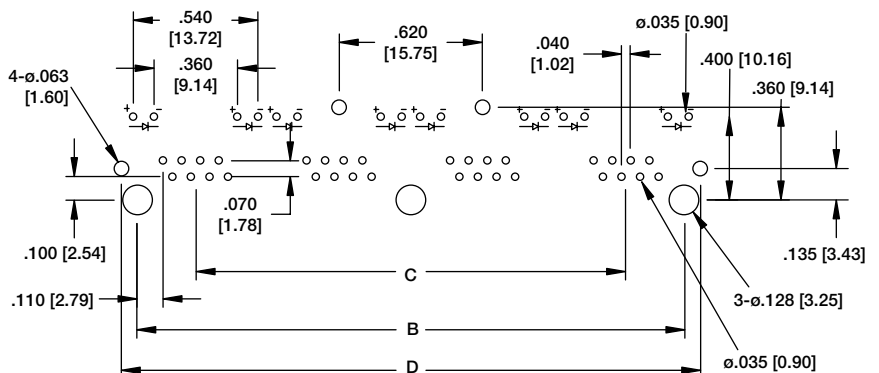
See pg. 43 for additional LED options

A = .620 [15.75] x No. of Ports + .029 [0.75]

B = .620 [15.75] x No. of Ports - 1 + .500 [12.70]

C = .620 [15.75] x No. of Ports - 1

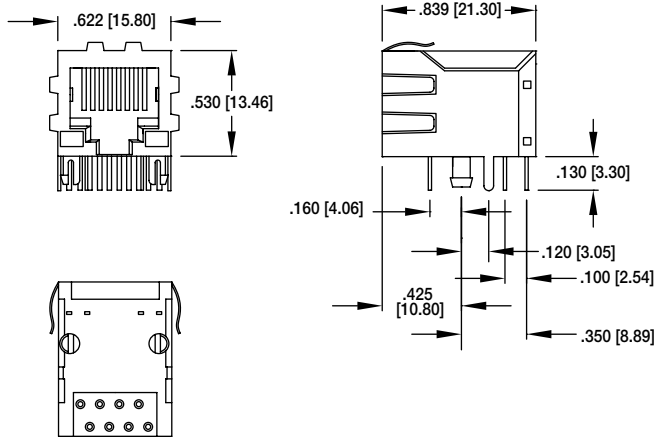
D = .620 [15.75] x No. of Ports + .019 [0.50]



**Recommended PCB Layout**

Ordering Information pg. 29

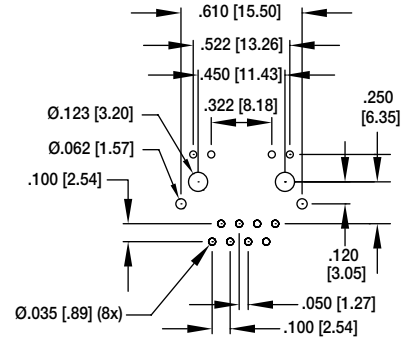
#### TYPE G WITH LEDs



MTJ-88GX1-FSD-LH

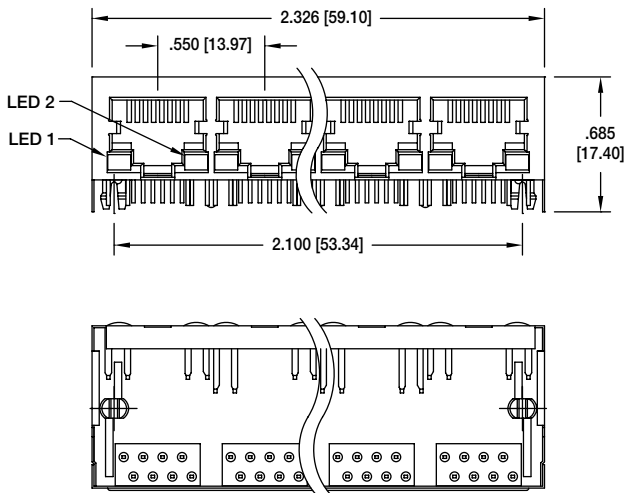


MTJ-88GX1-FSD-LH-PG

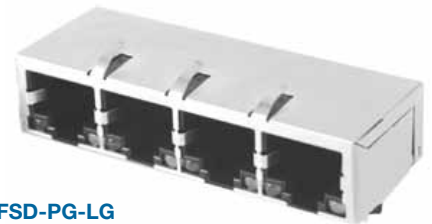
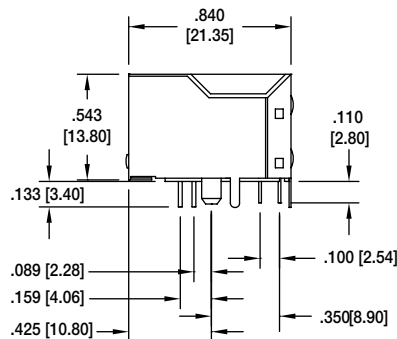


Recommended PCB Layout

#### TYPE G GANGED WITH LEDs



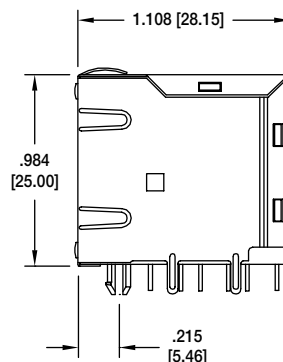
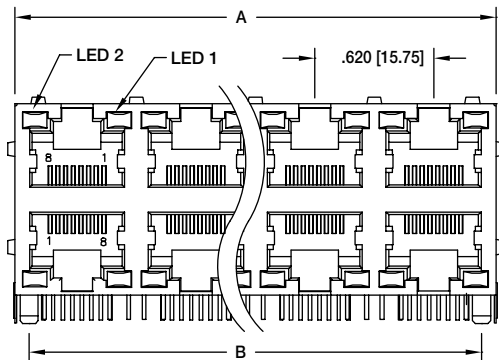
2, 4 & 6 PORTS AVAILABLE



MTJG-4-88GX1-FSD-PG-LG

Ordering Information pg. 34

#### TYPE J STACKED WITH LEDs



PART NUMBER	PORTS	DIMENSIONS	
		A	B
MTJG-2-88JX1-FSM-LXX	2 X 1	.650 [16.51]	.500 [12.70]
MTJG-4-88JX1-FSM-LXX	2 X 2	1.265 [32.15]	1.120 [28.45]
MTJG-8-88JX1-FSM-LXX	2 X 4	2.50 [63.65]	2.360 [59.95]
MTJG-12-88JX1-FSM-LXX	2 X 6	3.74 [95.15]	3.600 [91.45]

See pg. 43 for additional LED options