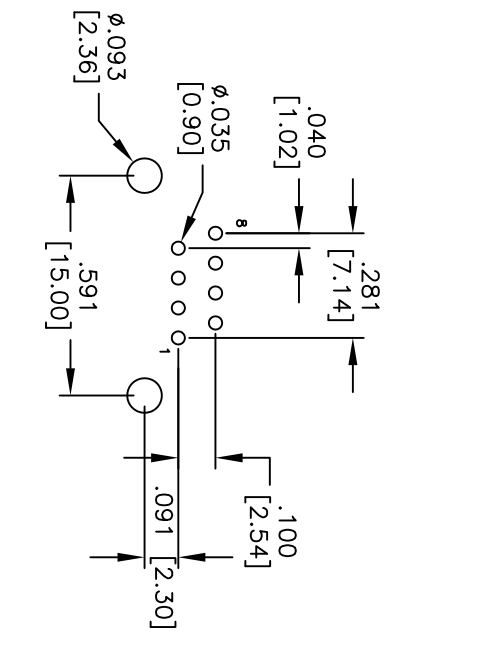
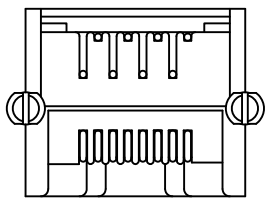
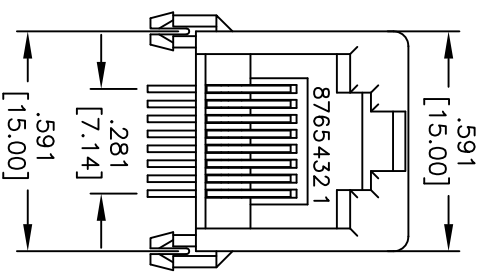
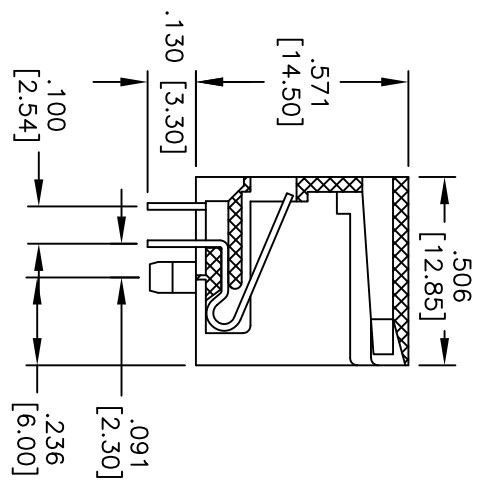


APPROVED: \_\_\_\_\_  
 DATE: \_\_\_\_\_ TITLE: \_\_\_\_\_

Rev	AWO #	Description	Date	Appr
-		RELEASED	5/25/05	
A		REDRAWN	7/01/09	



RECOMMENDED PCB LAYOUT



X	PLATING
0	15 µin Gold
1	30 µin Gold
2	50 µin Gold
6	6 µin Gold

**SPECIFICATIONS:**

**Material:**  
 Insulator: PBT, rated UL 94V-0  
 Insulator color: Black  
 Contacts: Phosphor Bronze  
 Plating:  
 X u" Gold over Nickel underplate on contact area, Tin over Copper underplate on tails (See chart)

**Electrical:**  
 Operating voltage: 125 VAC max  
 Current rating: 1.5 Amps max  
 Contact resistance: 35 mohms max  
 Insulation resistance: 1000 Mohms min @ 500 VDC  
 Dielectric withstanding voltage: 1000 VAC for 1 minute  
 Temperature Rating:  
 Operating temperature: -40°C to +85°C

**Environmental:**  
 Lead free, RoHS compliant.



**ADAM TECH**

909 Rahway Avenue, Union, NJ 07083  
 Phone: 908-687-5000 Fax: 908-687-5710

MODULAR TELEPHONE JACK, 8P8C  
 RIGHT ANGLE, PCB, COLOR BLACK

UNLESS OTHERWISE SPECIFIED ALL DIMENSIONS ARE INCHES [MM]	
TOLERANCES: EXCEPT AS NOTED	
.X ± .10	ØX ± .10
.XX ± .020	ØXXX ± .015
.XXX ± .015	ØXXXX ± .010
APPROVALS	DATE
DRAWN SS	5/25/05
CHECKED	
APPROVED	

TITLE	8765 432 1
SIZE	X
PART NO.	MTJ-882BX1
REF:	S00008C
SCALE:	NIS
SHEET	1 OF 1