

Tri band Wi-Fi6E Flexible Printed Antenna (2.4/5/6 GHz)

AFB4714A-0190S

Request Samples



Check Inventory



47 x 14 x 0.4 mm
RoHS Compliant
MSL Level = N/A

Features

- Tri-band Wi-Fi6E 2.4/5/6GHz
- Compact design
- High Gain
- High Efficiency
- Easy installation using adhesive tape
- Fully customizable cable and connector options for RF connection

Applications

- IoT
- M2M
- Wearables
- Set Top Boxes
- Transportation
- Home Automation
- Smart Metering/City

Product Image



Tri band Wi-Fi6E Flexible Printed Antenna (2.4/5/6 GHz)

AFB4714A-0190S

Request Samples



Check Inventory



47 x 14 x 0.4 mm
RoHS Compliant
MSL Level = N/A

Electrical Specification

| Parameter | Specification | | | Unit |
|---------------------|------------------|-------------|-------------|----------|
| Operating Frequency | 2400 – 2500 | 5150 - 5850 | 5925 - 7125 | MHz |
| VSWR | 2.0 | | | |
| Peak gain | 2.7 | 3.1 | 3.2 | dBi |
| Efficiency | 69 | 51 | 57 | % |
| Impedance | 50 | | | Ω |
| Polarization | Linear | | | |
| Radiation Pattern | Omni-directional | | | |

Mechanical Specification

| Parameter | Specification |
|--------------------|--------------------------|
| Antenna Dimensions | 47 x 14 x 0.4 mm |
| Antenna Type | Flexible Printed Circuit |
| Mounting Type | Adhesive |
| RF Connector | I-PEX 1 (F) |
| RF Cable Type | \varnothing 1.13 mm |
| Cable Length | 190 \pm 3 mm |

Environmental Specification

| Parameter | Specification |
|-----------------------|----------------|
| Operating Temperature | -40°C to +85°C |
| Storage Temperature | -40°C to +85°C |
| ROHS Complaint | Yes |
| PB Free | Yes |
| ESD Sensitive | N/A |
| MSL Level | N/A |



5101 Hidden Creek Ln Spicewood TX 78669
Phone: 512-371-6159 | Fax: 512-351-8858
For terms and conditions of sales, please visit:
www.abracon.com

REVISED: 09-29-22

ABRACON IS
ISO9001-2015
CERTIFIED

Tri band Wi-Fi6E Flexible Printed Antenna (2.4/5/6 GHz)

AFB4714A-0190S

Request Samples

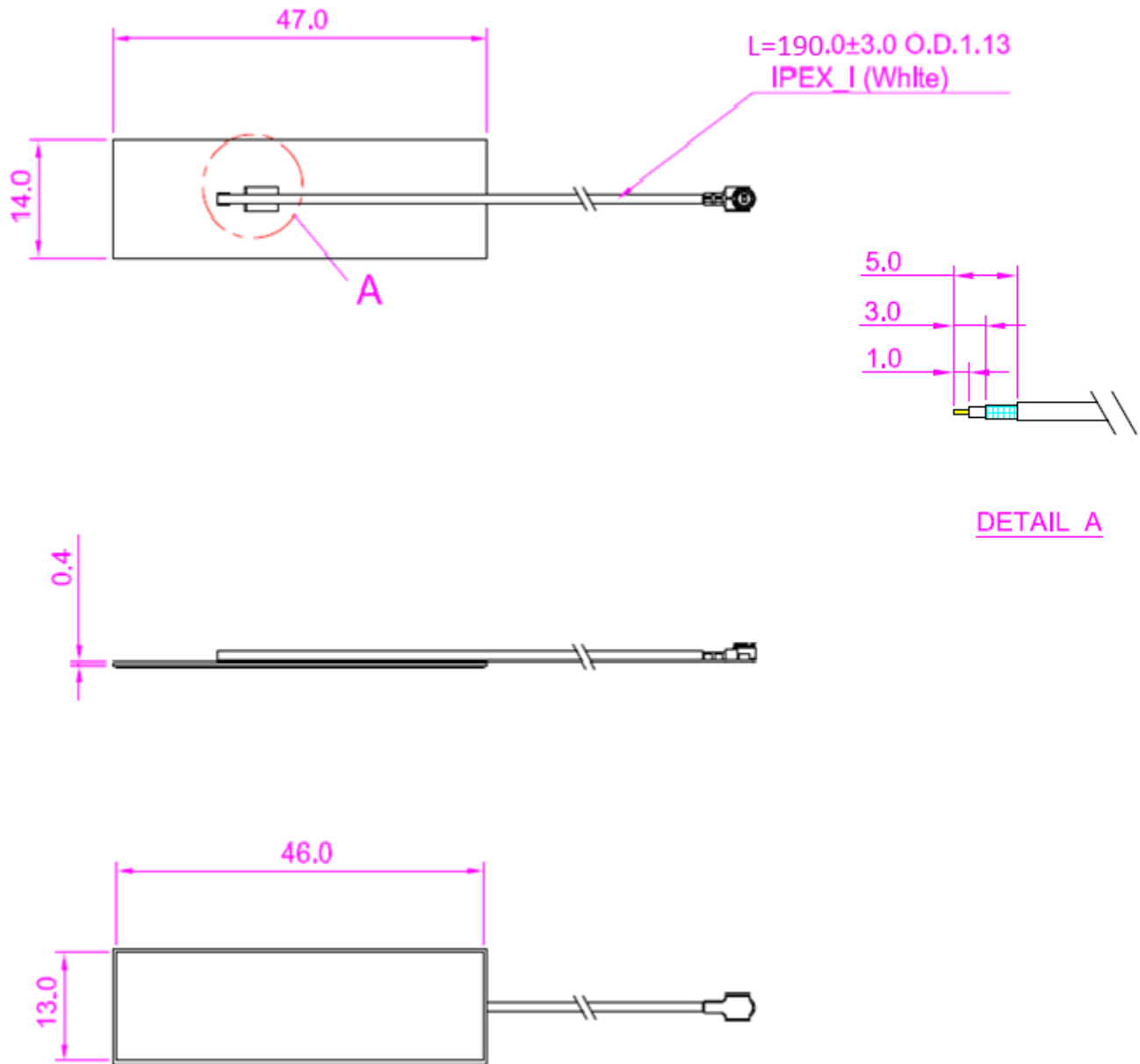


Check Inventory



47 x 14 x 0.4 mm
RoHS Compliant
MSL Level = N/A

Product Dimension



Unit : mm



5101 Hidden Creek Ln Spicewood TX 78669
Phone: 512-371-6159 | Fax: 512-351-8858
For terms and conditions of sales, please visit:
www.abracon.com

REVISED: 09-29-22

ABRACON IS
ISO9001-2015
CERTIFIED

Tri band Wi-Fi6E Flexible Printed Antenna (2.4/5/6 GHz)

AFB4714A-0190S

Request Samples

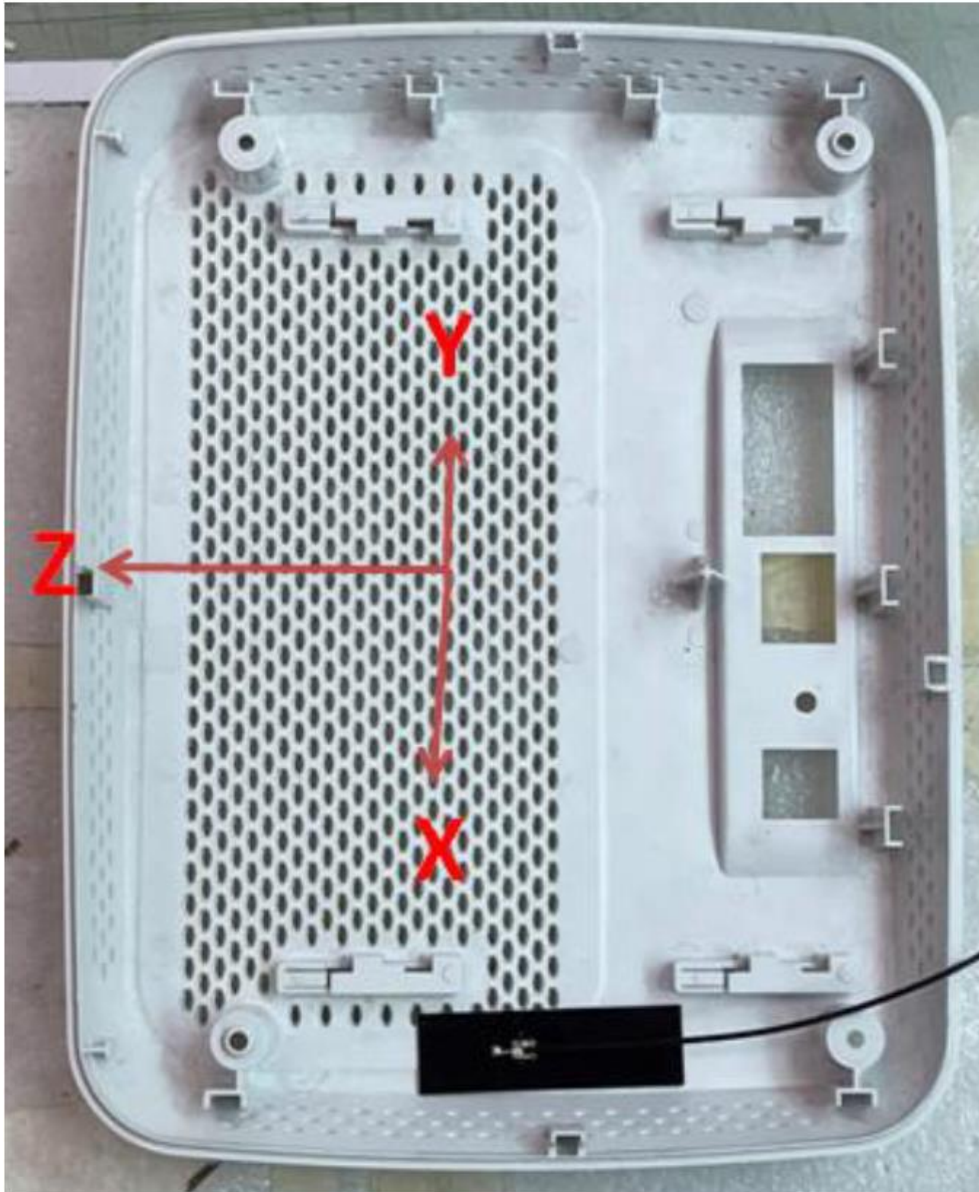


Check Inventory



47 x 14 x 0.4 mm
RoHS Compliant
MSL Level = N/A

Antenna Gain Test – Chamber Setup



Tri band Wi-Fi6E Flexible Printed Antenna (2.4/5/6 GHz)

AFB4714A-0190S

Request Samples



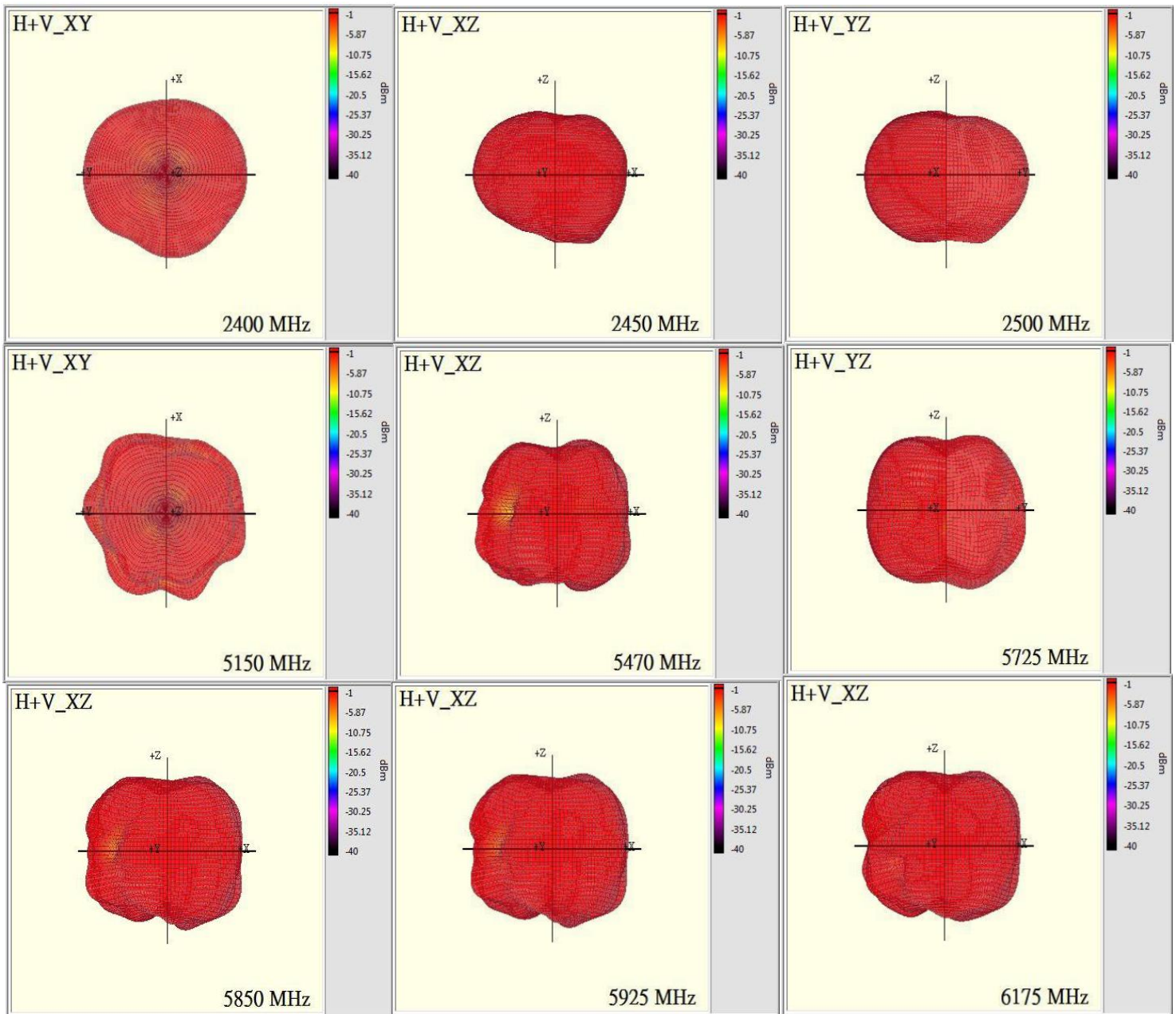
Check Inventory



47 x 14 x 0.4 mm
RoHS Compliant
MSL Level = N/A

Radiation Characteristics

3D Pattern



Tri band Wi-Fi6E Flexible Printed Antenna (2.4/5/6 GHz)

AFB4714A-0190S

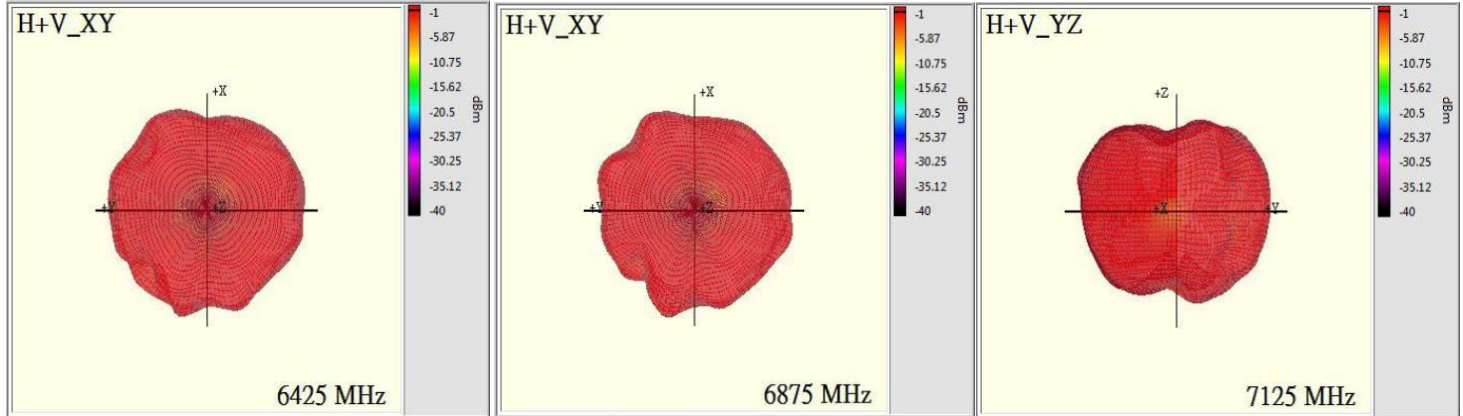
Request Samples



Check Inventory



47 x 14 x 0.4 mm
RoHS Compliant
 MSL Level = N/A



Gain and Efficiency

| Frequency (MHz) | Efficiency (dB) | Efficiency (%) | Gain (dBi) |
|-----------------|-----------------|----------------|------------|
| 2400 | -1.66 | 68.18 | 2.28 |
| 2450 | -1.45 | 71.50 | 2.49 |
| 2500 | -1.28 | 74.35 | 2.76 |
| 5150 | -2.97 | 50.45 | 3.16 |
| 5250 | -2.71 | 53.56 | 3.07 |
| 5350 | -3.06 | 49.43 | 2.45 |
| 5470 | -3.27 | 47.05 | 2.11 |
| 5600 | -3.51 | 44.52 | 1.78 |
| 5725 | -2.96 | 50.58 | 2.30 |
| 5785 | -3.02 | 49.88 | 2.10 |
| 5800 | -3.09 | 49.08 | 2.01 |
| 5850 | -3.07 | 49.28 | 1.95 |
| 5925 | -3.20 | 47.92 | 1.83 |
| 6175 | -1.71 | 67.36 | 3.25 |
| 6425 | -2.09 | 61.80 | 2.52 |
| 6525 | -2.25 | 59.51 | 2.70 |
| 6700 | -2.13 | 61.20 | 2.85 |
| 6875 | -2.50 | 56.17 | 2.57 |
| 7000 | -2.77 | 52.77 | 2.62 |
| 7125 | -2.70 | 53.80 | 3.13 |



5101 Hidden Creek Ln Spicewood TX 78669
 Phone: 512-371-6159 | Fax: 512-351-8858
 For terms and conditions of sales, please visit:
www.abracon.com

REVISED: 09-29-22

ABRACON IS
 ISO9001-2015
 CERTIFIED

Tri band Wi-Fi6E Flexible Printed Antenna (2.4/5/6 GHz)

AFB4714A-0190S

Request Samples



Check Inventory



47 x 14 x 0.4 mm
RoHS Compliant
MSL Level = N/A

Packaging Information

Each Package: 20 bags

Number of Antenna/ bags: 100 pcs

Total Pcs / package: 2000 pcs

ATTENTION: Abracon LLC's products are COTS – Commercial-Off-The-Shelf products; suitable for Commercial, Industrial and, where designated, Automotive Applications. Abracon's products are not specifically designed for Military, Aviation, Aerospace, Life-dependent Medical applications or any application requiring high reliability where component failure could result in loss of life and/or property. For applications requiring high reliability and/or presenting an extreme operating environment, written consent and authorization from Abracon LLC is required. Please contact Abracon LLC for more information.



5101 Hidden Creek Ln Spicewood TX 78669
Phone: 512-371-6159 | Fax: 512-351-8858
For terms and conditions of sales, please visit:
www.abracon.com

REVISED: 09-29-22

ABRACON IS
ISO9001-2015
CERTIFIED