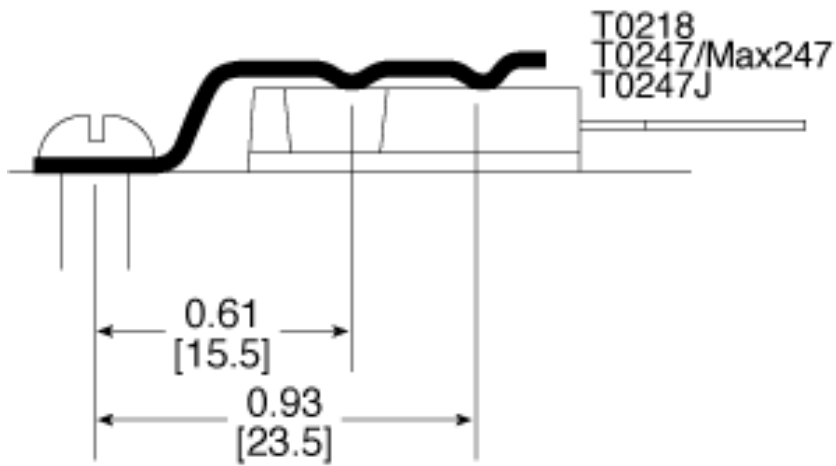




## MAX08NG

SCREW MOUNT CLIP



Hole Diameter for Screw: 4.2mm

**Width:** 18.00  
**Force:** 75 N [16.9 lbs]  
**Thickness:** 0.60  
**RoHS:** compliant