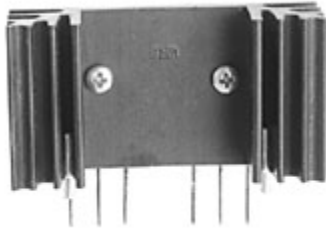


For use with SIP/Multi Watt/TO-220/TO-218/TO-247 packages

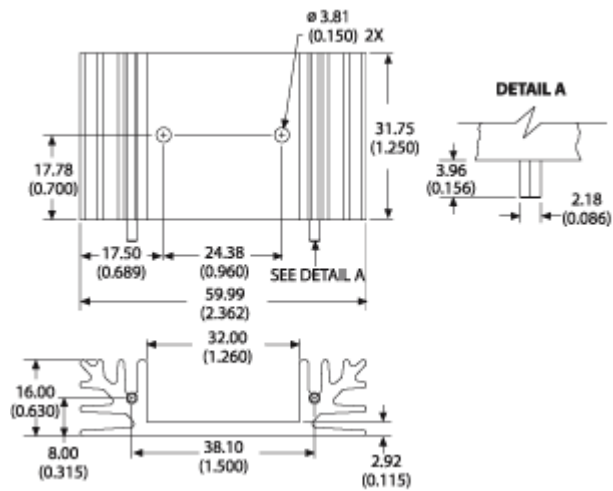
Part Number - 6374BG

VIS - 041523

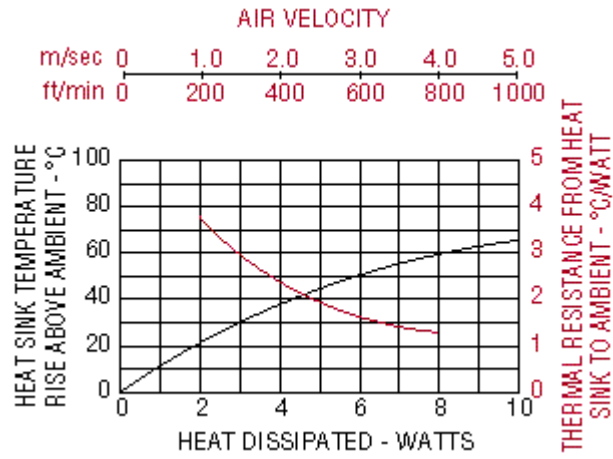
RoHS 
Compliant



Mechanical Outline Drawing



Thermal Curves



Thermal Resistance	5.00
---------------------------	------

Thermal resistance value is based on a 75°C rise in natural convection

Product Information

Part #	Description	Finish
6374BG	Extruded heat sink for SIP packages	Black Anodize