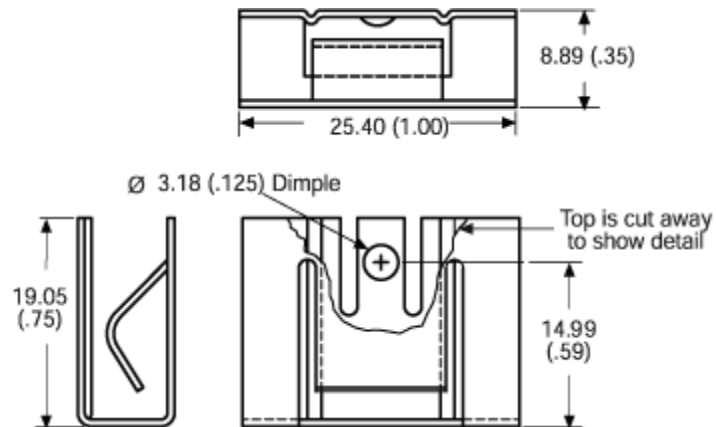


For use with TO-220 packages

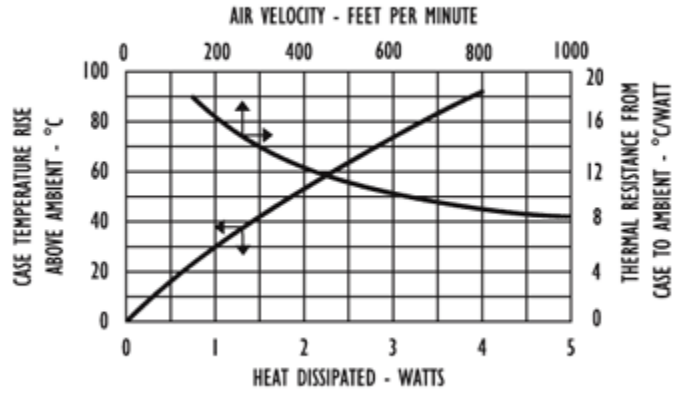
Part Number - 6045B
VIS - 033663



Mechanical Outline Drawing



Thermal Curves



Thermal Resistance	26.00
---------------------------	-------

Thermal resistance value is based on a 75°C rise in natural convection

Product Information

Part #	Description	Finish	Board Mounting
6045B	Low cost slip on heat sink	Black Anodize	N/A