

For use with TO-220 packages

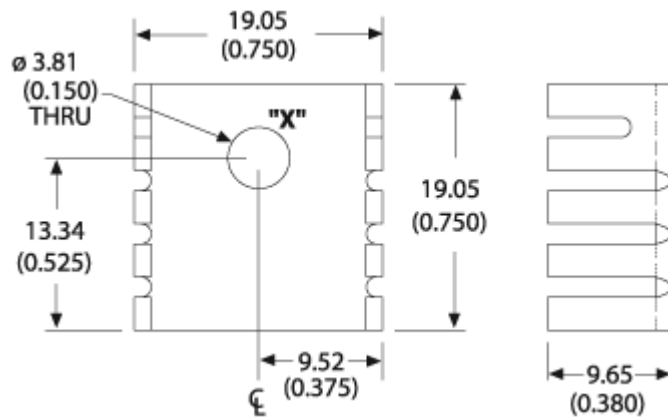
Part Number - 507302B00000G

VIS - 001364

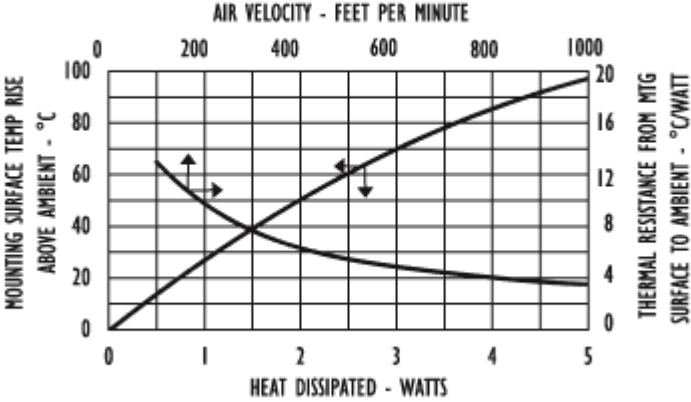
RoHS 
Compliant



Mechanical Outline Drawing



Thermal Curves



Thermal Resistance	24.00
---------------------------	-------

Thermal resistance value is based on a 75°C rise in natural convection

Product Information

Part #	Description	Finish	Board Mounting
507302B00000G	Economy narrow base low profile channel style heat sink	Black Anodize	N/A