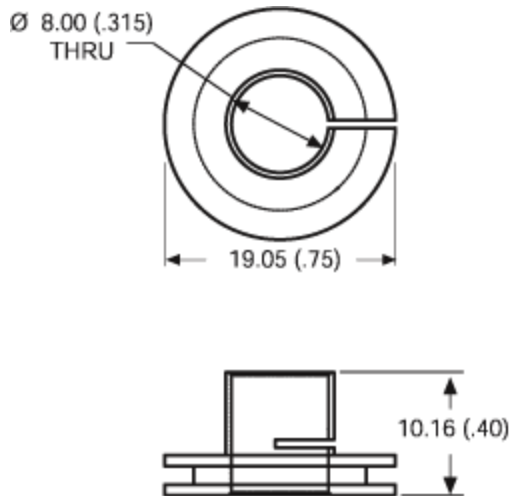


For use with TO-5 packages

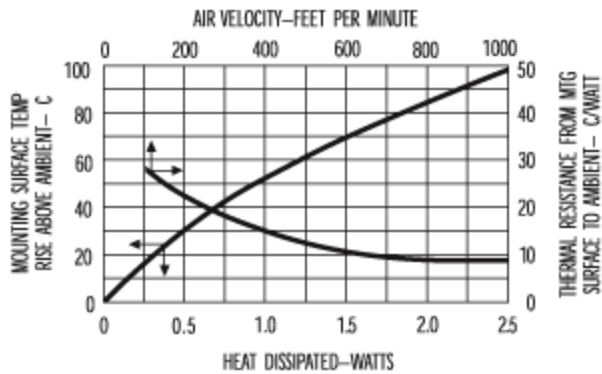
Part Number - 322505B00000
VIS - 000532



Mechanical Outline Drawing



Thermal Curves



Thermal Resistance	56.00
---------------------------	-------

Thermal resistance value is based on a 75°C rise in natural convection

Product Information

Part #	Description	Finish	Board Mounting
322505B00000G	Low cost push on heat sink	Black Anodize	N/A