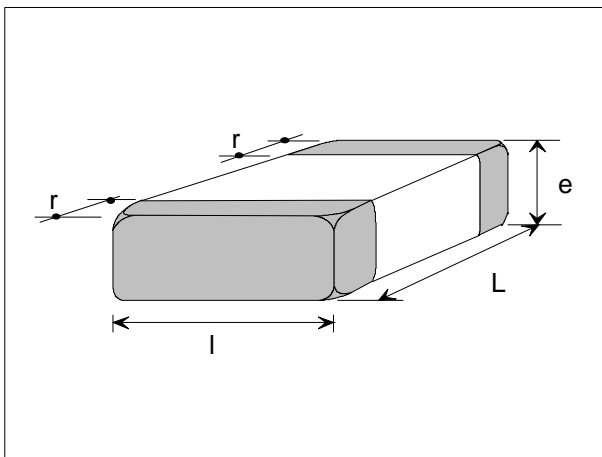


Product reference : VJ14PA0160KBA

AVX reference

Customer reference :



DIMENSIONS		
	mm	inches
L	4.5 ± 0.3	0.177 ± 0.012
l	3.2 ± 0.3	0.126 ± 0.012
e	1.80 max	0.0709 max
r	0.6 ± 0.30	0.023 ± 0.011

ELECTRICAL CHARACTERISTICS			
Max Operating Voltage	14 Vrms 16 Vdc	Load dump pulse (X 10)	10 J
V _{1mA}	22 – 28 V	Max Energy Absortion (10/1000µs)	4 J
Max Clamping Voltage	40 V / 5 A (8/20µs)	Mean Power Dissipation	0.015 W
Max Peak Current	1000 A (8/20µs)	Capacitance (typical)	8000 pF

SOLDERING PERFORMANCES	
Solderability 215°C/3"	Resistance to soldering heat 260°C/30"
> 95% of the surface covered	< 5% of lost of metallisation

TERMINATION : PLATING PROCESS Nickel Barrier and Tin