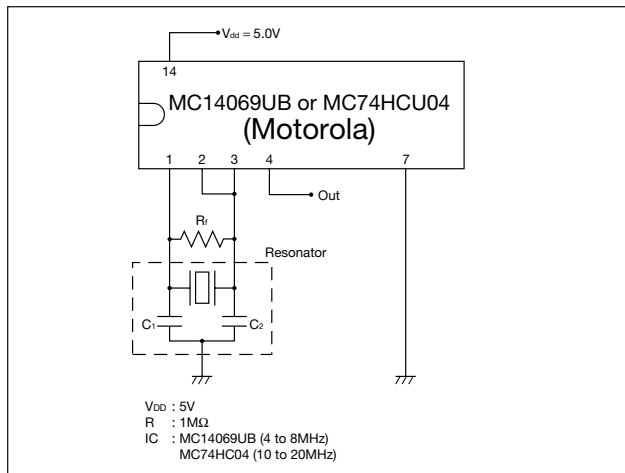


# MHz Band Ceramic Resonators (SMD) for Automotive PBRV-K, PBRV-H Series

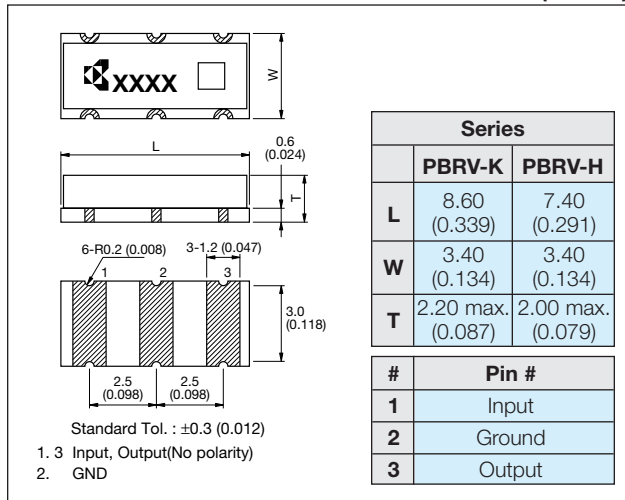


## TEST CIRCUIT



## DIMENSIONS

millimeters (inches)



## FEATURES

- Miniature & low profile
- Rectangular shape allows easy pick and placement
- Component cost and space saving
- High density mounting possible
- Reflow solderable & washable
- High reliability, high temperature operating with ceramic case

## APPLICATIONS

- Automotive
- ABS
- ECU
- Air-Bag System

## HOW TO ORDER

PBRV - 4.00 H R □

### Operating Temperature Range

Y = -40 to +125°C  
Z = -40 to +150°C

### Packaging

Tape and reel, 2,000 pcs/reel

### Built-in Capacitor

K = 2.00 to 3.57MHz  
H = 3.58 to 20.00MHz

### Oscillating Frequency (MHz)

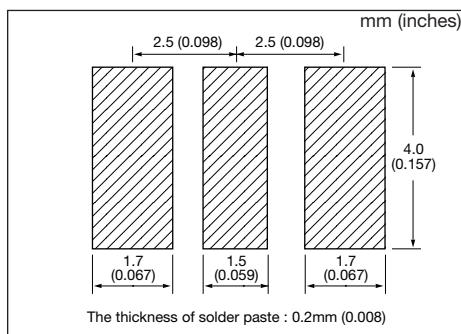
### Series

Note: Please refer to IC Application Guide book for IC matching

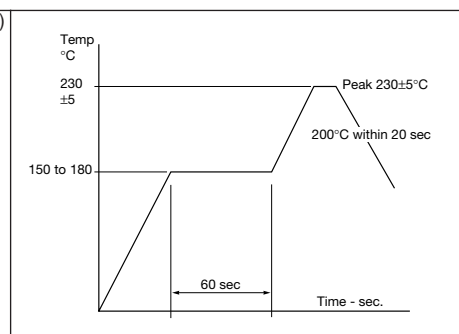
## SPECIFICATIONS

Series	Frequency Range (MHz)	Tolerance (25°C)	Temperature Stability (-20 to 80°C)	IC	Standard Frequencies
PBRV-K	2.00 to 3.57	±0.5% (op. ±0.3%)	Y = ±0.5% (-40 to 125°C)	MOTOROLA MC14069UB	2.00
	3.58 to 8.00		Z = ±0.5% (-40 to 150°C)		4.00, 6.00, 8.00
PBRV-H	8.01 to 20.00	±0.7% (op. ±0.5%)	Y = ±0.1% (-40 to 125°C) Z = ±0.2% (-40 to 150°C)	MOTOROLA MC74HC04	12.0, 16.0, 18.0, 20.0

## Recommended Land Pattern



## Recommended Reflow Profile



## Packaging - Taping

