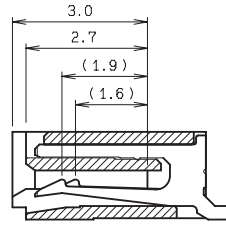
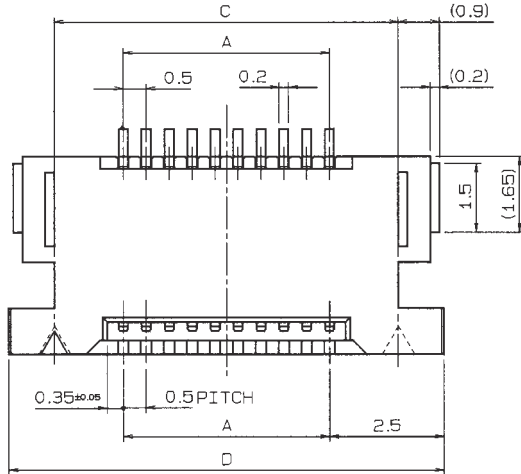


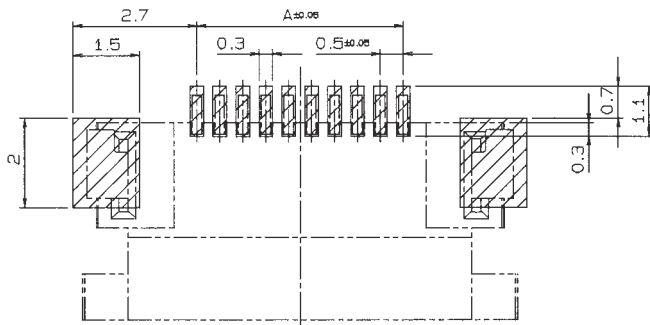
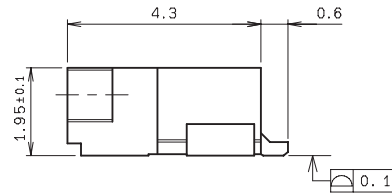
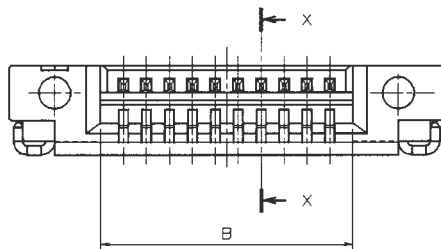
0.5mm Pitch
SERIES

6222

0.5mmピッチ NON-ZIF RA SMT 下接点
0.5mmPitch LIF RA SMT Bottom contact

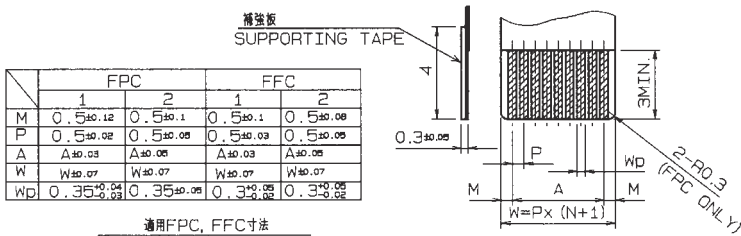


SECT. X-X



推奨基板取付け寸法 (コネクタ搭載側)
MOUNTING LAYOUT (CONN. MOUNTING SIDE)

| 極数 No. OF POS | A | B | C | D |
|---------------------|------|------|------|------|
| 5 | 2.0 | 3.0 | 5.0 | 7.0 |
| 6 | 2.5 | 3.5 | 5.5 | 7.5 |
| 7 | 3.0 | 4.0 | 6.0 | 8.0 |
| 8 | 3.5 | 4.5 | 6.5 | 8.5 |
| 9 | 4.0 | 5.0 | 7.0 | 9.0 |
| 10 | 4.5 | 5.5 | 7.5 | 9.5 |
| 11 | 5.0 | 6.0 | 8.0 | 10.0 |
| 12 | 5.5 | 6.5 | 8.5 | 10.5 |
| 13 | 6.0 | 7.0 | 9.0 | 11.0 |
| 14 | 6.5 | 7.5 | 9.5 | 11.5 |
| 15 | 7.0 | 8.0 | 10.0 | 12.0 |
| 16 | 7.5 | 8.5 | 10.5 | 12.5 |
| 17 | 8.0 | 9.0 | 11.0 | 13.0 |
| 18 | 8.5 | 9.5 | 11.5 | 13.5 |
| 19 | 9.0 | 10.0 | 12.0 | 14.0 |
| 20 | 9.5 | 10.5 | 12.5 | 14.5 |
| 21 | 10.0 | 11.0 | 13.0 | 15.0 |
| 22 | 10.5 | 11.5 | 13.5 | 15.5 |
| 23 | 11.0 | 12.0 | 14.0 | 16.0 |
| 24 | 11.5 | 12.5 | 14.5 | 16.5 |
| 25 | 12.0 | 13.0 | 15.0 | 17.0 |
| 26 | 12.5 | 13.5 | 15.5 | 17.5 |
| 27 | 13.0 | 14.0 | 16.0 | 18.0 |
| 28 | 13.5 | 14.5 | 16.5 | 18.5 |
| 29 | 14.0 | 15.0 | 17.0 | 19.0 |
| 30 | 14.5 | 15.5 | 17.5 | 19.5 |
| 40 | 19.5 | 20.5 | 22.5 | 24.5 |



| | FPC | | FFC | |
|----|-----------|-----------|----------|----------|
| | 1 | 2 | 1 | 2 |
| M | 0.5±0.12 | 0.5±0.1 | 0.5±0.1 | 0.5±0.08 |
| P | 0.5±0.02 | 0.5±0.05 | 0.5±0.03 | 0.5±0.05 |
| A | A±0.03 | A±0.05 | A±0.03 | A±0.05 |
| W | W±0.07 | W±0.07 | W±0.07 | W±0.07 |
| WD | 0.35±0.05 | 0.35±0.05 | 0.3±0.05 | 0.3±0.05 |

適用FPC, FFC寸法
APPLICABLE FPC, FFC

注文コード ORDERING CODE
08 6222 OXX 101 XXX+

RoHS 対応品
RoHS Compliant Product

800+ : スズ銅めっき Sn-Cu Plated
829+ : 金めっき Au Plated

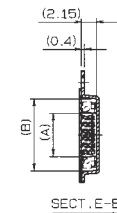
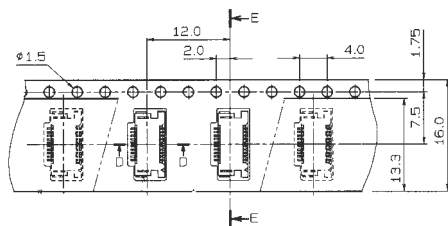
極数 NUMBER OF POSITIONS

生産対応可能極数については、営業部にご確認
願います。
Feel free to contact our sales depart-
ment for available numbers of positions.

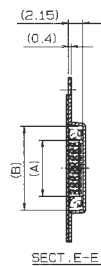
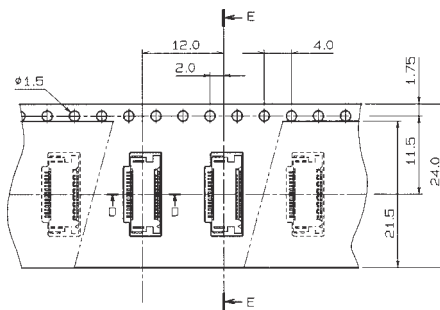
0.5mm Pitch
SERIES

6222

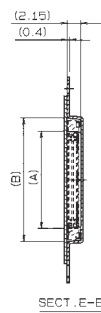
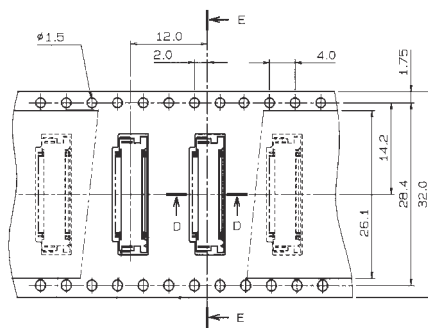
エンボス梱包品
Tape and Reel Package



| 極数 NO. OF POS | A | B |
|---------------------|-----|------|
| 5 | 3.2 | 7.3 |
| 6 | 3.7 | 7.8 |
| 7 | 4.2 | 8.3 |
| 8 | 4.7 | 8.8 |
| 9 | 5.2 | 9.3 |
| 10 | 5.7 | 9.8 |
| 11 | 6.2 | 10.3 |

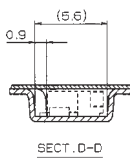


| 極数 NO. OF POS | A | B |
|---------------------|------|------|
| 12 | 6.7 | 10.8 |
| 13 | 7.2 | 11.3 |
| 14 | 7.7 | 11.8 |
| 15 | 8.2 | 12.3 |
| 16 | 8.7 | 12.8 |
| 17 | 9.2 | 13.3 |
| 18 | 9.7 | 13.8 |
| 19 | 10.2 | 14.3 |
| 20 | 10.7 | 14.8 |
| 21 | 11.2 | 15.3 |
| 22 | 11.7 | 15.8 |
| 23 | 12.2 | 16.3 |
| 24 | 12.7 | 16.8 |
| 25 | 13.2 | 17.3 |
| 26 | 13.7 | 17.8 |
| 27 | 14.2 | 18.3 |



| 極数 NO. OF POS | A | B |
|---------------------|------|------|
| 28 | 14.7 | 18.8 |
| 29 | 15.2 | 19.3 |
| 30 | 15.7 | 19.8 |
| 40 | 20.7 | 24.8 |

生産対応可能極数については、営業部にご確認
願います。
Feel free to contact our sales depart-
ment for available numbers of positions.



注文コード ORDERING CODE
08 6222 0XX 101 XXX+

RoHS 対応品
RoHS Compliant Product

800+ : スズ銅めっき Sn-Cu Plated
829+ : 金めっき Au Plated

極数 NUMBER OF POSITIONS

梱包数量 2000個/リール
PACKING QUANTITY : 2000/Reel