

General Description

The AAT4280A SmartSwitch is a member of AnalogicTech's Application Specific Power MOSFET™ (ASPM™) product family. The AAT4280A is a P-channel MOSFET power switch designed for high-side load switching applications. The device has a typical $R_{DS(ON)}$ of $80m\Omega$, allowing increased load switch power handling capacity. The device is available in three different versions with flexible turn-on and turn-off characteristics — from very fast to slew rate limited. The standard AAT4280A (-1) version has a slew rate limited turn-on load switch and is functionally compatible with the AAT4250 device, while offering superior $R_{DS(ON)}$ characteristics. The AAT4280A (-2) version features fast load switch turn-on capabilities, typically less than 500ns turn-on and $3\mu s$ turn-off times. The AAT4280A (-3) variation offers a shutdown load discharge circuit to rapidly turn off a load circuit when the switch is disabled. The AAT4280A (-4) version features the slowest load switch turn-on capability, typically greater than 4.0ms turn-on time. All AAT4280A load switch versions operate with an input voltage ranging from 1.5V to 5.5V, making them ideal for both 3V and 5V systems. Input logic levels are TTL and 2.5V to 5V CMOS compatible. The quiescent supply current is very low, typically 25nA.

The AAT4280A is available in the Pb-free 8-pin SC70JW, 6-pin SOT23, and WLCSP-5 packages and is specified over the $-40^{\circ}C$ to $+85^{\circ}C$ temperature range.

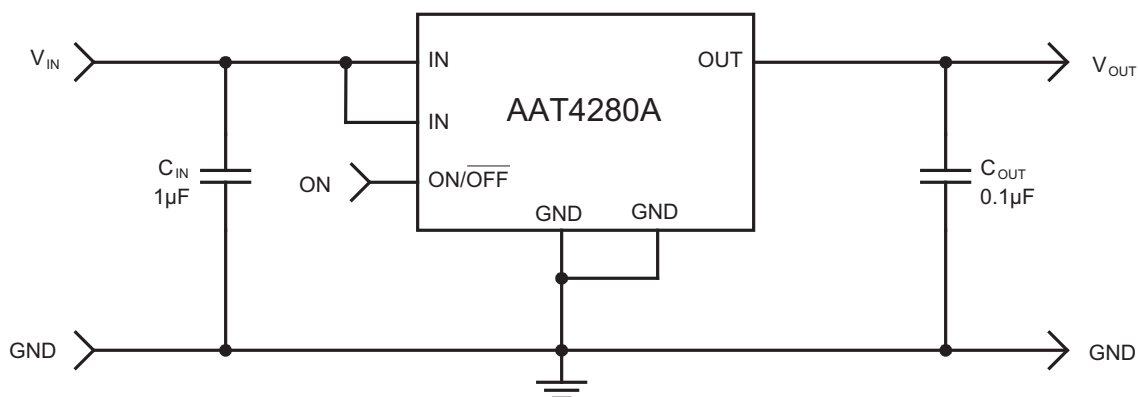
Features

- 1.5V to 5.5V Input Voltage Range
- Very Low $R_{DS(ON)}$, Typically $80m\Omega$ (5V)
- Slew Rate Limited Turn-On Time Options
 - 4.5ms
 - 1ms
 - $0.5\mu s$
 - $100\mu s$
- Fast Shutdown Load Discharge Option
- Low Quiescent Current
 - 25nA (typ)
- TTL/CMOS Input Logic Level
- Temperature Range: $-40^{\circ}C$ to $+85^{\circ}C$
- 3kV ESD Rating
- SC70JW-8, SOT23-6, and WLCSP-5 Packages

Applications

- Cellular Telephones
- Digital Still Cameras
- Hot Swap Supplies
- LCD Panels
- Notebook Computers
- Personal Communication Devices
- Personal Digital Assistants (PDAs)

Typical Application

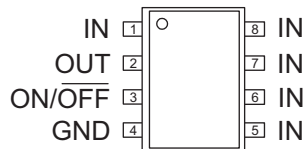


Pin Descriptions

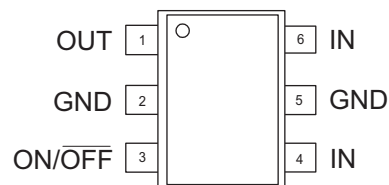
Pin #			Symbol	Function
SC70JW-8	SOT23-6	WLSCP-5		
1, 5, 6, 7, 8	4, 6	1, 4	IN	This pin is the input to the P-channel MOSFET source. Bypass to ground through a 1.0 μ F capacitor.
2	1	5	OUT	This pin is the P-channel MOSFET drain connection. Bypass to ground through a 0.1 μ F capacitor.
3	3	2	ON/OFF	Enable input.
4	5	3	GND	Ground connection.

Pin Configuration

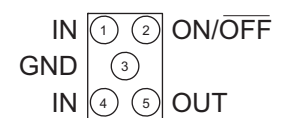
**SC70JW-8
(Top View)**



**SOT23-6
(Top View)**



**WLSCP-5
(Top View)**



Selector Guide

Part Number	Slew Rate (typ)	Active Pull Down	Enable
AAT4280A-1	1ms		Active High
AAT4280A-2	0.5μs		Active High
AAT4280A-3	100μs	✓	Active High
AAT4280A-4	4.5ms	✓	Active High

Absolute Maximum Ratings¹

T_A = 25°C, unless otherwise noted.

Symbol	Description	Value	Units
V _{IN}	IN to GND	-0.3 to 6	V
V _{ON}	ON/OFF to GND	-0.3 to 6	V
V _{OUT}	OUT to GND	-0.3 to V _{IN} + 0.3	V
I _{MAX}	Maximum Continuous Switch Current	2.3	A
I _{DM}	Maximum Pulsed Current	IN ≥ 2.5V	6
		IN < 2.5V	3
T _J	Operating Junction Temperature Range	-40 to 150	°C
T _S	Storage Temperature Range	-65 to 150	°C
T _{LEAD}	Maximum Soldering Temperature (at leads)	300	°C
V _{ESD}	ESD Rating ² - HBM	3000	V

Thermal Characteristics

Symbol	Description	Package	Value	Units
P _D	Maximum Power Dissipation	SC70JW-8 ^{3,4}	714	mW
		SOT23-6 ^{3,5}	833	
		WLCSP-5 ^{3,6}	352	
θ _{JA}	Thermal Resistance	SC70JW-8	140	°C/W
		SOT23-6	120	
		WLCSP-5	284	

1. Stresses above those listed in Absolute Maximum Ratings may cause permanent damage to the device. Functional operation at condition other than the operating conditions specified is not implied. Only one Absolute Maximum Rating should be applied at any one time.

2. Human body model is a 100pF capacitor discharged through a 1.5kΩ resistor into each pin.

3. Mounted on an FR4 board; for the WLCSP package, use the NSMD (non-solder mask defined) pad style for tighter control on the copper etch process.

4. Derate 7.14mW/°C above 25°C.

5. Derate 8.33mW/°C above 25°C.

6. Derate 3.52mW/°C above 25°C.

Electrical Characteristics

Unless otherwise noted, $V_{IN} = 5V$, $T_A = -40^{\circ}C$ to $+85^{\circ}C$; typical values are $T_A = 25^{\circ}C$.

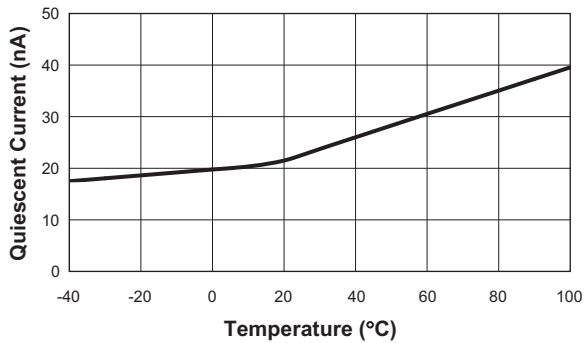
Symbol	Description	Conditions	Min	Typ	Max	Units
AAT4280A All Versions						
V_{IN}	Operation Voltage		1.5		5.5	V
I_Q	Quiescent Current	ON/OFF = Active			1	μA
$I_{Q(off)}$	Off Supply Current	ON/OFF = Inactive, OUT = Open			1	μA
$I_{SD(off)}$	Off Switch Current	ON/OFF = Inactive, $V_{OUT} = 0$			1	μA
$R_{DS(on)}$	On Resistance	$V_{IN} = 5V, T_A = 25^{\circ}C$		80	120	m Ω
		$V_{IN} = 4.2V, T_A = 25^{\circ}C$		85	130	
		$V_{IN} = 3V, T_A = 25^{\circ}C$		100	150	
		$V_{IN} = 1.8V, T_A = 25^{\circ}C$		160	250	
		$V_{IN} = 1.5V, T_A = 25^{\circ}C$		200	300	
TC_{RDS}	On Resistance Temperature Coefficient			2800		ppm/ $^{\circ}C$
V_{IL}	ON/OFF Input Logic Low Voltage	$V_{IN} = 1.5V$ to $5.5V^1$			0.4	V
V_{IH}	ON/OFF Input Logic High Voltage	$V_{IN} = 1.5V$ to $2.7V$	1.4			V
		$V_{IN} = 2.7V$ to $4.2V$	2			
		$V_{IN} = 4.2V$ to $5.5V$	2.4			
		$V_{IN} = 3.3V$	1.8			
I_{SINK}	ON/OFF Input Leakage	$V_{ON/OFF} = 5.5V$			1	μA
AAT4280A-1						
$T_{D(ON)}$	Output Turn-On Delay	$V_{IN} = 5V, R_{LOAD} = 10\Omega, T_A = 25^{\circ}C$		20	40	μs
T_{ON}	Output Turn-On Rise Time	$V_{IN} = 5V, R_{LOAD} = 10\Omega, T_A = 25^{\circ}C$		1000	1500	μs
$T_{D(OFF)}$	Output Turn-Off Delay Time	$V_{IN} = 5V, R_{LOAD} = 10\Omega, T_A = 25^{\circ}C$		4	10	μs
AAT4280A-2						
$T_{D(ON)}$	Output Turn-On Delay	$V_{IN} = 5V, R_{LOAD} = 10\Omega, T_A = 25^{\circ}C$		0.5	2	μs
T_{ON}	Output Turn-On Rise Time	$V_{IN} = 5V, R_{LOAD} = 10\Omega, T_A = 25^{\circ}C$		0.5	1	μs
$T_{D(OFF)}$	Output Turn-Off Delay Time	$V_{IN} = 5V, R_{LOAD} = 10\Omega, T_A = 25^{\circ}C$		4	10	μs
AAT4280A-3						
$T_{D(ON)}$	Output Turn-On Delay	$V_{IN} = 5V, R_{LOAD} = 10\Omega, T_A = 25^{\circ}C$		20	40	μs
T_{ON}	Output Turn-On Rise Time	$V_{IN} = 5V, R_{LOAD} = 10\Omega, T_A = 25^{\circ}C$		100	150	μs
$T_{D(OFF)}$	Output Turn-Off Delay Time	$V_{IN} = 5V, R_{LOAD} = 10\Omega, T_A = 25^{\circ}C$		4	10	μs
R_{PD}	Output Pull-Down Resistance During OFF	ON/OFF = Inactive, $T_A = 25^{\circ}C$		150	250	Ω
AAT4280A-4						
$T_{D(ON)}$	Output Turn-On Delay Time	$V_{IN} = 3.3V, R_{LOAD} = 10\Omega, T_A = 25^{\circ}C$		20	40	μs
T_{ON}	Output Turn-On Rise Time	$V_{IN} = 3.3V, R_{LOAD} = 10\Omega, T_A = 25^{\circ}C$	2000	4500		μs
$T_{D(OFF)}$	Output Turn-Off Delay Time	$V_{IN} = 3.3V, R_{LOAD} = 10\Omega, T_A = 25^{\circ}C$		4	10	μs
R_{PD}	Output Pull-Down Resistance During OFF	ON/OFF = Inactive, $T_A = 25^{\circ}C$		150	250	Ω

1. For V_{IN} outside this range, consult typical ON/OFF threshold curve.

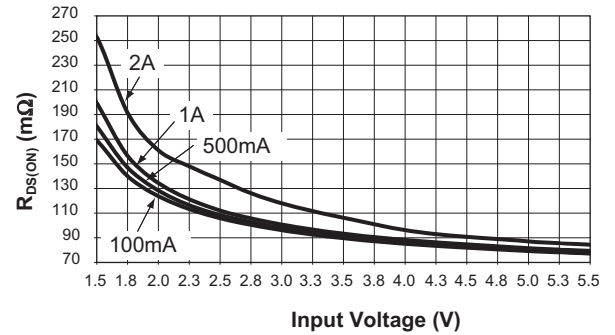
Typical Characteristics

Unless otherwise noted, $V_{IN} = 5V$, $T_A = 25^\circ C$.

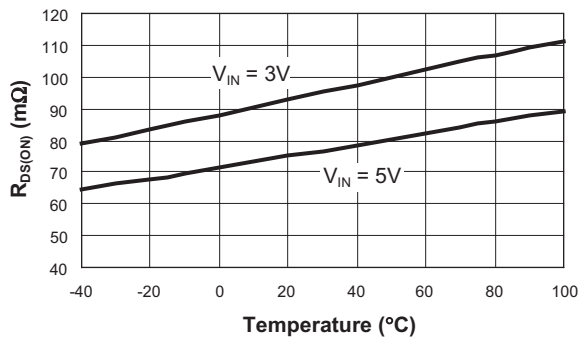
Quiescent Current vs. Temperature



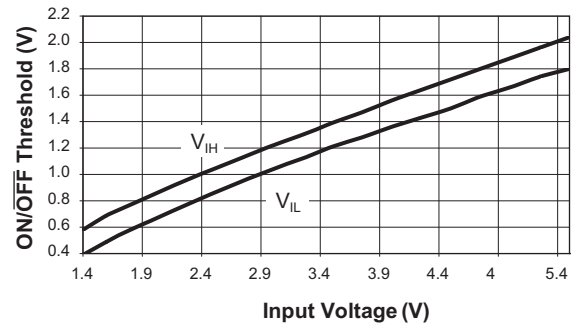
$R_{DS(ON)}$ vs. Input Voltage



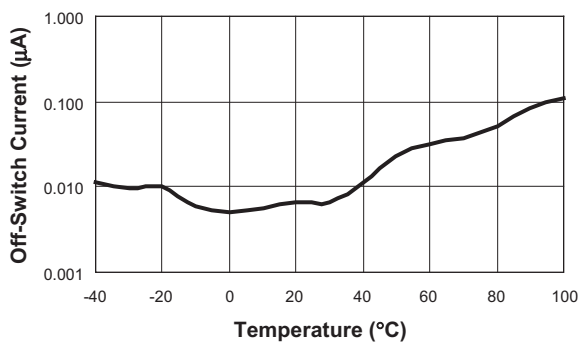
$R_{DS(ON)}$ vs. Temperature



ON/OFF Threshold vs. Input Voltage



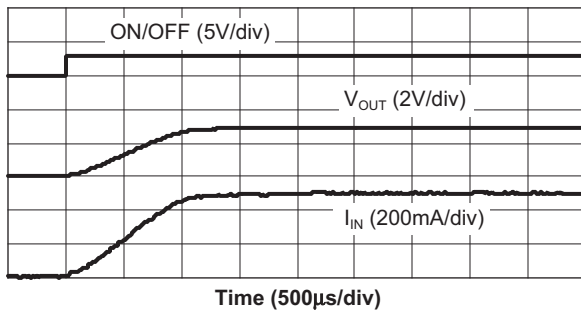
Off-Switch Current vs. Temperature



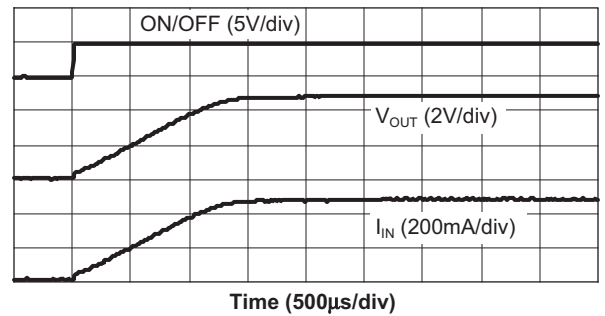
Typical Characteristics—AAT4280A-1

Unless otherwise noted, $V_{IN} = 5V$, $T_A = 25^\circ C$.

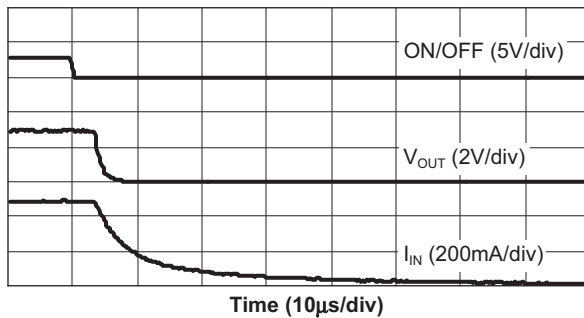
AAT4280A-1 Turn-On
($V_{IN} = 3V$; $R_L = 6\Omega$)



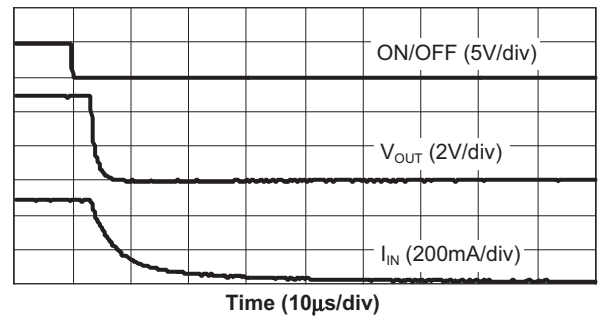
AAT4280A-1 Turn-On
($V_{IN} = 5V$; $R_L = 10\Omega$)



AAT4280A-1 Turn-Off
($V_{IN} = 3V$; $R_L = 6\Omega$)



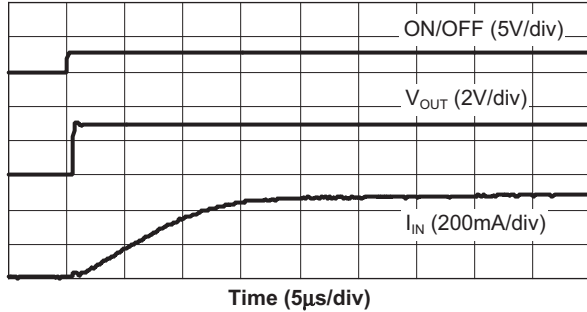
AAT4280A-1 Turn-Off
($V_{IN} = 5V$; $R_L = 10\Omega$)



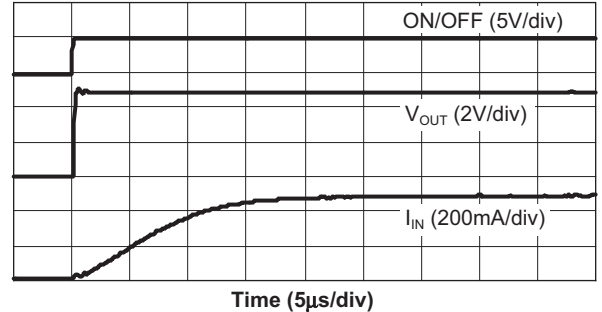
Typical Characteristics—AAT4280A-2

Unless otherwise noted, $V_{IN} = 5V$, $T_A = 25^\circ C$.

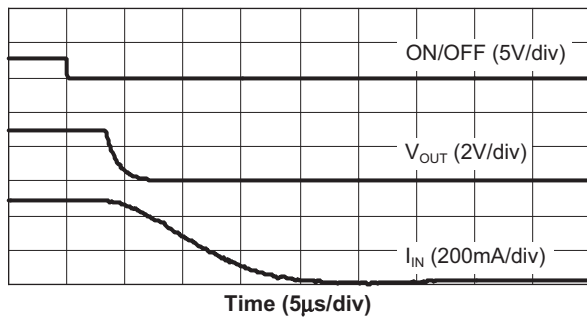
AAT4280A-2 Turn-On
($V_{IN} = 3V$; $R_{IN} = 6\Omega$)



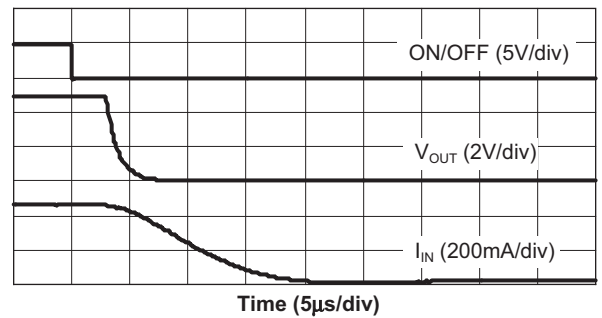
AAT4280A-2 Turn-On
($V_{IN} = 5V$; $R_L = 10\Omega$)



AAT4280A-2 Turn-Off
($V_{IN} = 3V$; $R_L = 6\Omega$)



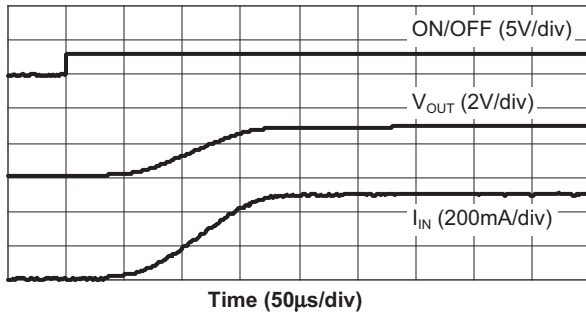
AAT4280A-2 Turn-Off
($V_{IN} = 5V$; $R_L = 10\Omega$)



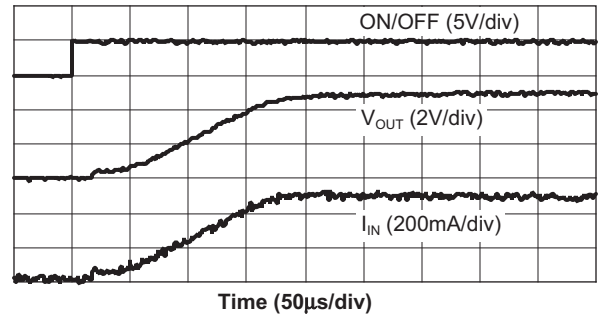
Typical Characteristics—AAT4280A-3

Unless otherwise noted, $V_{IN} = 5V$, $T_A = 25^\circ C$.

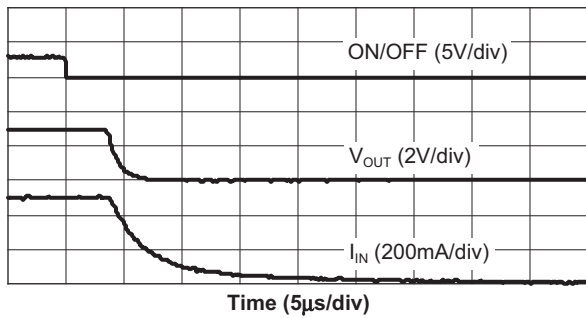
AAT4280A-3 Turn-On
($V_{IN} = 3V$; $R_L = 6\Omega$)



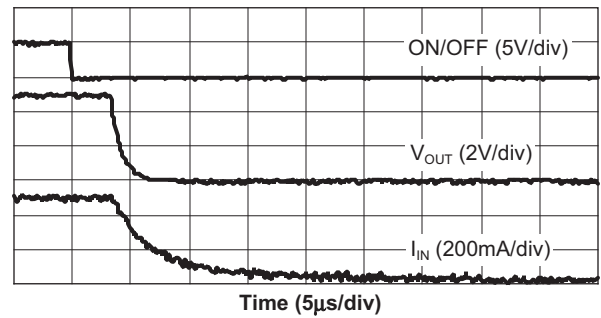
AAT4280A-3 Turn-On
($V_{IN} = 5V$; $R_L = 10\Omega$)



AAT4280A-3 Turn-Off
($V_{IN} = 3V$; $R_L = 6\Omega$)



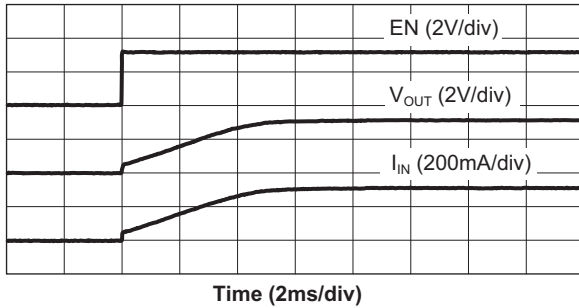
AAT4280A-3 Turn-Off
($V_{IN} = 5V$; $R_L = 10\Omega$)



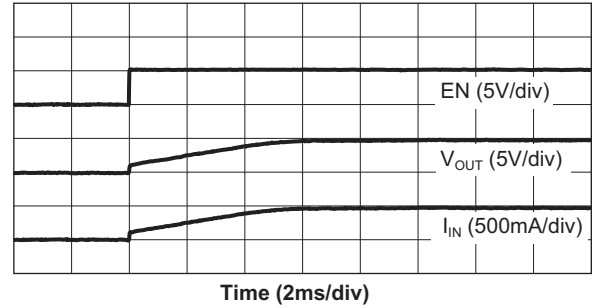
Typical Characteristics—AAT4280A-4

Unless otherwise noted, $V_{IN} = 5V$, $T_A = 25^\circ C$.

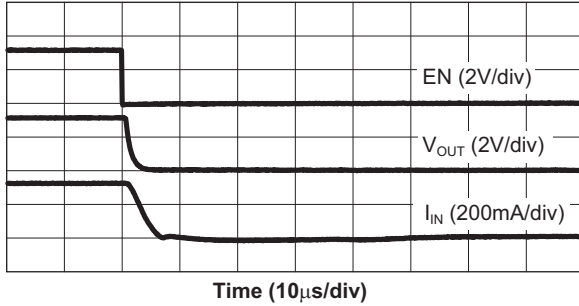
AAT4280A-4 Turn-On
($V_{IN} = 3V$; $R_L = 10\Omega$)



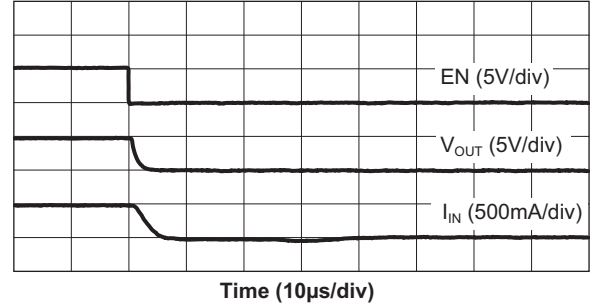
AAT4280A-4 Turn-On
($V_{IN} = 5V$; $R_L = 10\Omega$)



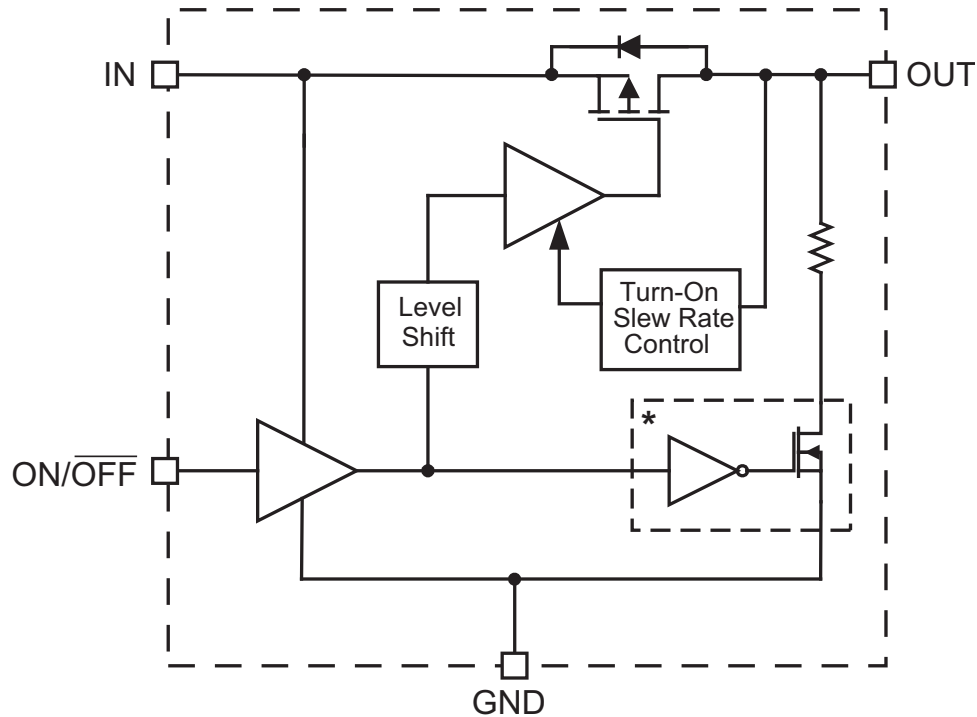
AAT4280A-4 Turn-Off
($V_{IN} = 3.3V$; $R_L = 10W$)



AAT4280A-4 Turn-Off
($V_{IN} = 5V$; $R_L = 10\Omega$)



Functional Block Diagram



*AAT4280A-3 and -4 only

Functional Description

The AAT4280A is a family of flexible P-channel MOSFET power switches designed for high-side load switching applications. There are three versions of the AAT4280A with different turn-on and turn-off characteristics to choose from, depending upon the specific requirements of an application. The first version, the AAT4280A-1, has a moderate turn-on slew rate feature, which reduces inrush current when the MOSFET is turned on. This function allows the load switch to be implemented with either a small input capacitor or no input capacitor at all. During turn-on slewing, the current ramps linearly until it reaches the level required for the output load condition. The proprietary turn-on current control method works by careful control and monitoring of the MOSFET gate voltage. When the device is switched ON, the gate voltage is quickly increased to the threshold level of the MOSFET. Once at this level, the current begins to slew as the gate voltage is slowly increased until the MOSFET becomes fully enhanced. Once it has reached this point,

the gate is quickly increased to the full input voltage and $R_{DS(ON)}$ is minimized.

The second version, the AAT4280A-2, is a very fast switch intended for high-speed switching applications. This version has no turn-on slew rate control and no special output discharge features.

The third switch version, the AAT4280A-3, has the addition of a minimized slew rate limited turn-on function and a shutdown output discharge circuit to rapidly turn off a load when the load switch is disabled through the ON/OFF pin.

The final switch version, the AAT4280A-4, features a very slow turn-on slew rate with a typical value of 4.5ms for LCD panel applications.

All versions of the AAT4280A operate with input voltages ranging from 1.5V to 5.5V. All versions of this device have extremely low operating current, making them ideal for battery-powered applications. The ON/OFF control pin is TTL compatible and will also function with 2.5V to 5V logic systems, making the AAT4280A an ideal level-shifting load switch.

Applications Information

Input Capacitor

A 1μF or larger capacitor is typically recommended for C_{IN} in most applications. A C_{IN} capacitor is not required for basic operation; however, C_{IN} is useful in preventing load transients from affecting upstream circuits. C_{IN} should be located as close to the device V_{IN} pin as practically possible. Ceramic, tantalum, or aluminum electrolytic capacitors may be selected for C_{IN}. There is no specific capacitor ESR requirement for C_{IN}; however, for higher current operation, ceramic capacitors are recommended for C_{IN} due to their inherent capability over tantalum capacitors to withstand input current surges from low impedance sources, such as batteries in portable devices.

Output Capacitor

For proper slew operation, a 0.1μF capacitor or greater between V_{OUT} and GND is recommended. The output capacitor has no specific capacitor type or ESR requirement. If desired, C_{OUT} may be increased without limit to accommodate any load transient condition without adversely affecting the device turn-on slew rate time.

Enable Function

The AAT4280A features an enable / disable function. This pin (ON/OFF) is compatible with both TTL or CMOS logic.

Reverse Output-to-Input Voltage Conditions and Protection

Under normal operating conditions, a parasitic diode exists between the output and input of the load switch. The input voltage should always remain greater than the output load voltage, maintaining a reverse bias on the internal parasitic diode. Conditions where V_{OUT} might exceed V_{IN} should be avoided since this would forward bias the internal parasitic diode and allow excessive current flow into the V_{OUT} pin and possibly damage the load switch.

In applications where there is a possibility of V_{OUT} exceeding V_{IN} for brief periods of time during normal operation, the use of a larger value C_{IN} capacitor is highly recommended. A larger value of C_{IN} with respect to C_{OUT} will effect a slower C_{IN} decay rate during shutdown, thus preventing V_{OUT} from exceeding V_{IN}. In applications where there is a greater danger of V_{OUT} exceeding

V_{IN} for extended periods of time, it is recommended to place a Schottky diode from V_{IN} to V_{OUT} (connecting the cathode to V_{IN} and anode to V_{OUT}). The Schottky diode forward voltage should be less than 0.45V.

Thermal Considerations and High Output Current Applications

The AAT4280A is designed to deliver a continuous output load current. The limiting characteristic for maximum safe operating output load current is package power dissipation. In order to obtain high operating currents, careful device layout and circuit operating conditions need to be taken into account.

The following discussions will assume the load switch is mounted on a printed circuit board utilizing the minimum recommended footprint, as stated in the Layout Considerations section of this datasheet.

At any given ambient temperature (T_A), the maximum package power dissipation can be determined by the following equation:

$$P_{D(MAX)} = \frac{[T_{J(MAX)} - T_A]}{\theta_{JA}}$$

Constants for the AAT4280A are maximum junction temperature, T_{J(MAX)} = 125°C, and package thermal resistance, θ_{JA} = 120°C/W. Worst case conditions are calculated at the maximum operating temperature where T_A = 85°C. Typical conditions are calculated under normal ambient conditions where T_A = 25°C. At T_A = 85°C, P_{D(MAX)} = 333mW. At T_A = 25°C, P_{D(MAX)} = 833mW.

The maximum continuous output current for the AAT4280A is a function of the package power dissipation and the R_{DS} of the MOSFET at T_{J(MAX)}. The maximum R_{DS} of the MOSFET at T_{J(MAX)} is calculated by increasing the maximum room temperature R_{DS} by the R_{DS} temperature coefficient. The temperature coefficient (T_C) is 2800ppm/°C. Therefore,

$$\text{MAX } R_{DS125^\circ\text{C}} = R_{DS25^\circ\text{C}} \cdot (1 + T_C \cdot \Delta T)$$

$$\text{MAX } R_{DS125^\circ\text{C}} = 120\text{m}\Omega \cdot (1 + 0.0028 \cdot (125^\circ\text{C} - 25^\circ\text{C})) = 154\text{m}\Omega$$

For maximum current, refer to the following equation:

$$I_{OUT(MAX)} < \frac{P_{D(MAX)}}{R_{DS}}$$

For example, if $V_{IN} = 5V$, $R_{DS(MAX)} = 154m\Omega$ and $T_A = 25^\circ C$, $I_{OUT(MAX)} = 2.3A$. If the output load current were to exceed 2.3A or if the ambient temperature were to increase, the internal die temperature would increase and the device would be damaged.

Higher peak currents can be obtained with the AAT4280A. To accomplish this, the device thermal resistance must be reduced by increasing the heat sink area or by operating the load switch in a duty-cycle manner.

High Peak Output Current Applications

Some applications require the load switch to operate at a continuous nominal current level with short duration, high-current peaks. The duty cycle for both output current levels must be taken into account. To do so, first calculate the power dissipation at the nominal continuous current level, and then add in the additional power dissipation due to the short duration, high-current peak scaled by the duty factor.

For example, a 4V system using an AAT4280A operates at a continuous 100mA load current level and has short 2A current peaks, as in a GSM application. The current peak occurs for 576 μs out of a 4.61ms period.

First, the current duty cycle is calculated:

$$\% \text{ Peak Duty Cycle: } X/100 = 576\mu s/4.61ms$$

$$\% \text{ Peak Duty Cycle} = 12.5\%$$

The load current is 100mA for 87.5% of the 4.61ms period and 2A for 12.5% of the period. Since the Electrical Characteristics do not report $R_{DS(MAX)}$ for 4V operation, it must be calculated approximately by consulting the chart of $R_{DS(ON)}$ vs. V_{IN} . The R_{DS} reported for 5V can be scaled by the ratio seen in the chart to derive the R_{DS} for a 4V V_{IN} : $120m\Omega \cdot 87m\Omega / 80m\Omega = 130m\Omega$. De-rated for temperature: $130m\Omega \cdot (1 + 0.0028 \cdot (125^\circ C - 25^\circ C)) = 166m\Omega$. The power dissipation for a 100mA load is calculated as follows:

$$P_{D(MAX)} = I_{OUT}^2 \cdot R_{DS}$$

$$P_{D(100mA)} = (100mA)^2 \cdot 166m\Omega$$

$$P_{D(100mA)} = 1.66mW$$

$$P_{D(87.5\%D/C)} = \%DC \cdot P_{D(100mA)}$$

$$P_{D(87.5\%D/C)} = 0.875 \cdot 1.66mW$$

$$P_{D(87.5\%D/C)} = 1.45mW$$

The power dissipation for 100mA load at 87.5% duty cycle is 1.45mW. Now the power dissipation for the remaining 12.5% of the duty cycle at 2A is calculated:

$$P_{D(MAX)} = I_{OUT}^2 \cdot R_{DS}$$

$$P_{D(2A)} = (2A)^2 \cdot 166m\Omega$$

$$P_{D(2A)} = 664mW$$

$$P_{D(12.5\%D/C)} = \%DC \cdot P_{D(2A)}$$

$$P_{D(12.5\%D/C)} = 0.125 \cdot 664mW$$

$$P_{D(12.5\%D/C)} = 83mW$$

The power dissipation for 2A load at 12.5% duty cycle is 83mW. Finally, the two power figures are summed to determine the total true power dissipation under the varied load:

$$P_{D(total)} = P_{D(100mA)} + P_{D(2A)}$$

$$P_{D(total)} = 1.45mW + 83mW$$

$$P_{D(total)} = 84.5mW$$

The maximum power dissipation for the AAT4280A operating at an ambient temperature of 85 $^\circ C$ is 333mW. The device in this example will have a total power dissipation of 84.5mW. This is well within the thermal limits for safe operation of the device; in fact, at 85 $^\circ C$, the AAT4280A will handle a 2A pulse for up to 50% duty cycle. At lower ambient temperatures, the duty cycle can be further increased.

Printed Circuit Board Layout Recommendations

For proper thermal management and to take advantage of the low $R_{DS(ON)}$ of the AAT4280A, a few circuit board layout rules should be followed: V_{IN} and V_{OUT} should be routed using wider than normal traces, and GND should be connected to a ground plane. To maximize package thermal dissipation and power handling capacity of the AAT4280A SC70JW-8 package, the ground plane area connected to the ground pins should be made as large as possible. For best performance, C_{IN} and C_{OUT} should be placed close to the package pins.

Evaluation Board Layout

The AAT4280A evaluation layout follows the printed circuit board layout recommendations and can be used for good applications layout. Refer to Figures 1 through 3.

Note: Board layout shown is not to scale.

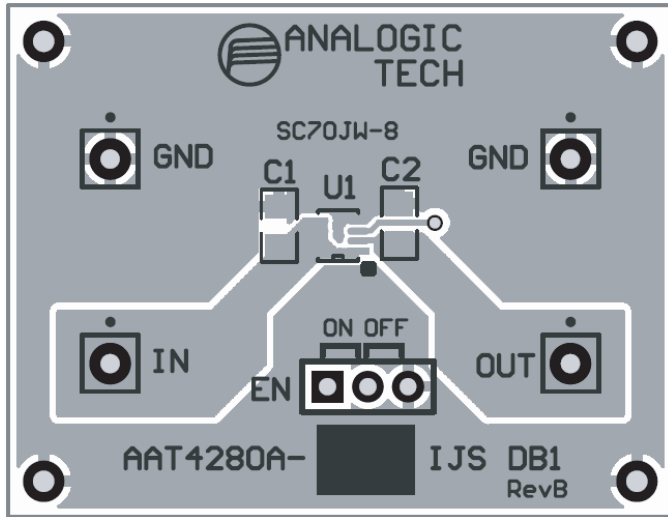


Figure 1: AAT4280A SC70JW-8 Package Evaluation Board Component Side Layout.

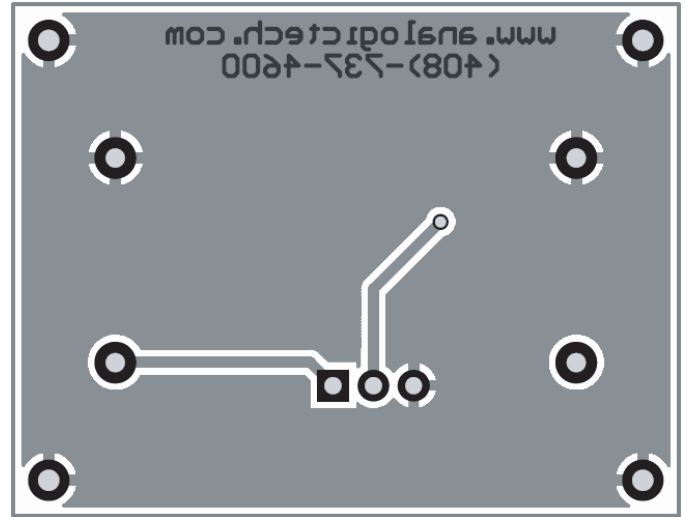


Figure 2: AAT4280A SC70JW-8 Package Evaluation Board Solder Side Layout.

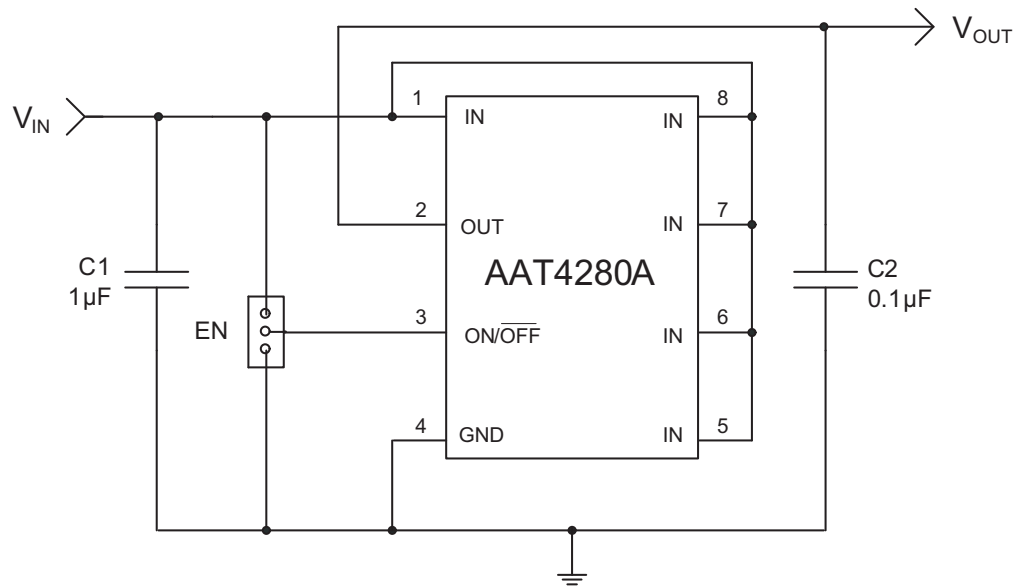


Figure 3: AAT4280A SC70JW-8 Package Evaluation Board Schematic.

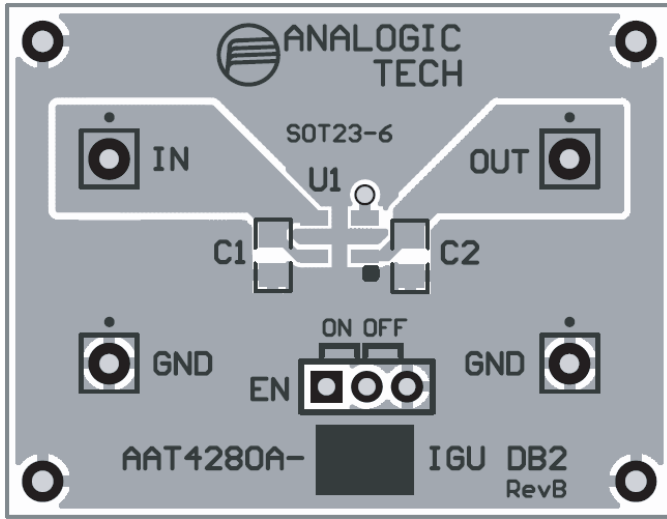


Figure 4: AAT4280A SOT23-6 Package Evaluation Board Component Side Layout.

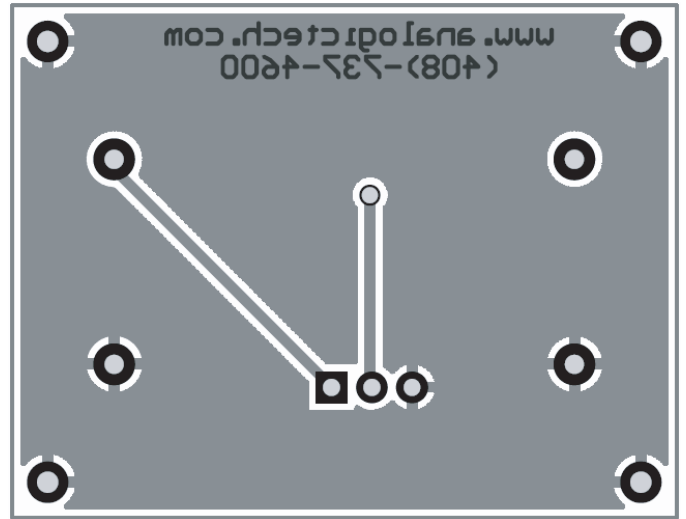


Figure 5: AAT4280A SOT23-6 Package Evaluation Board Solder Side Layout.

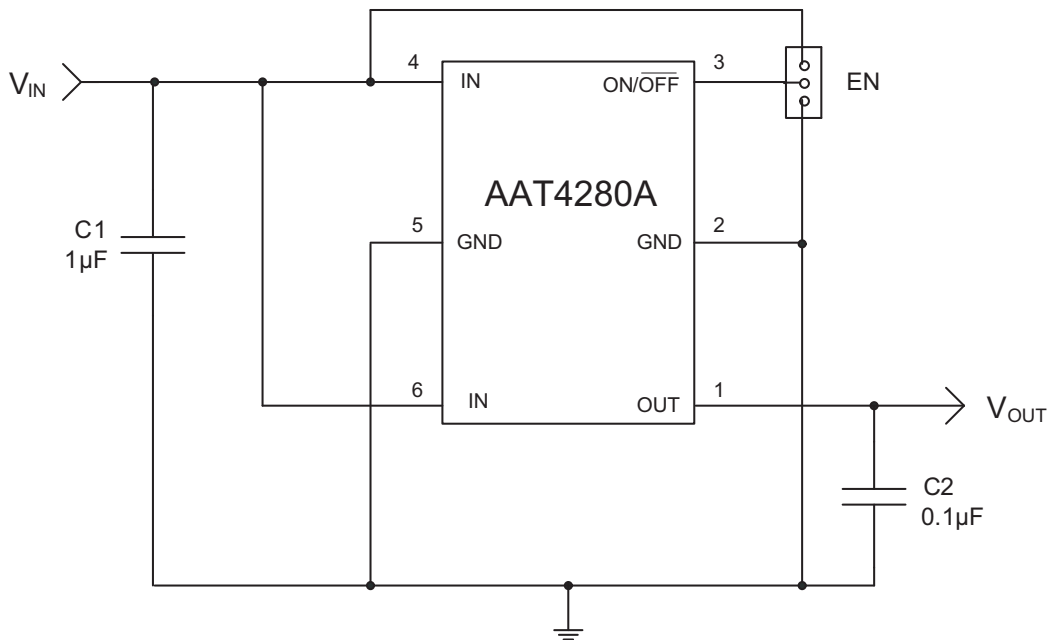


Figure 6: AAT4280A SOT23-6 Package Evaluation Board Schematic.

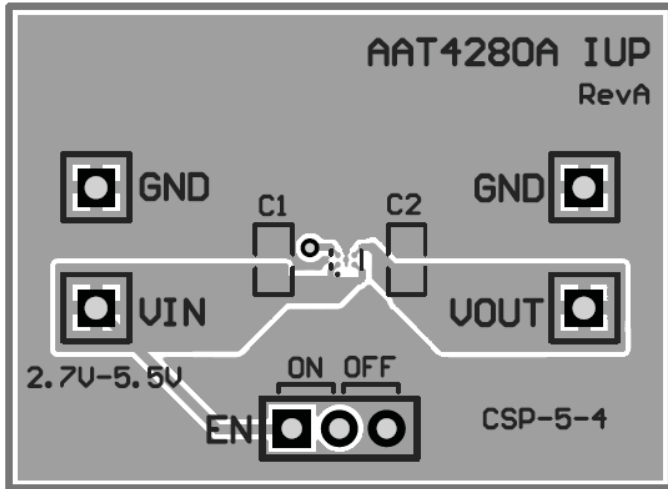


Figure 7: AAT4280A WLCSP-5 Package Evaluation Board Component Side Layout.

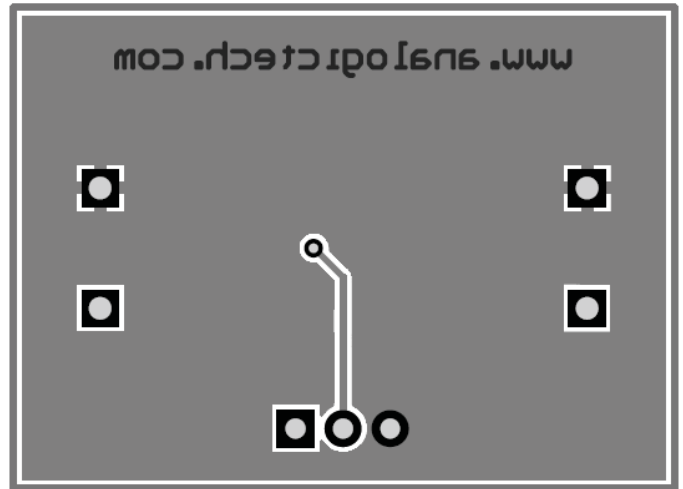


Figure 8: AAT4280A WLCSP-5 Package Evaluation Board Solder Side Layout.

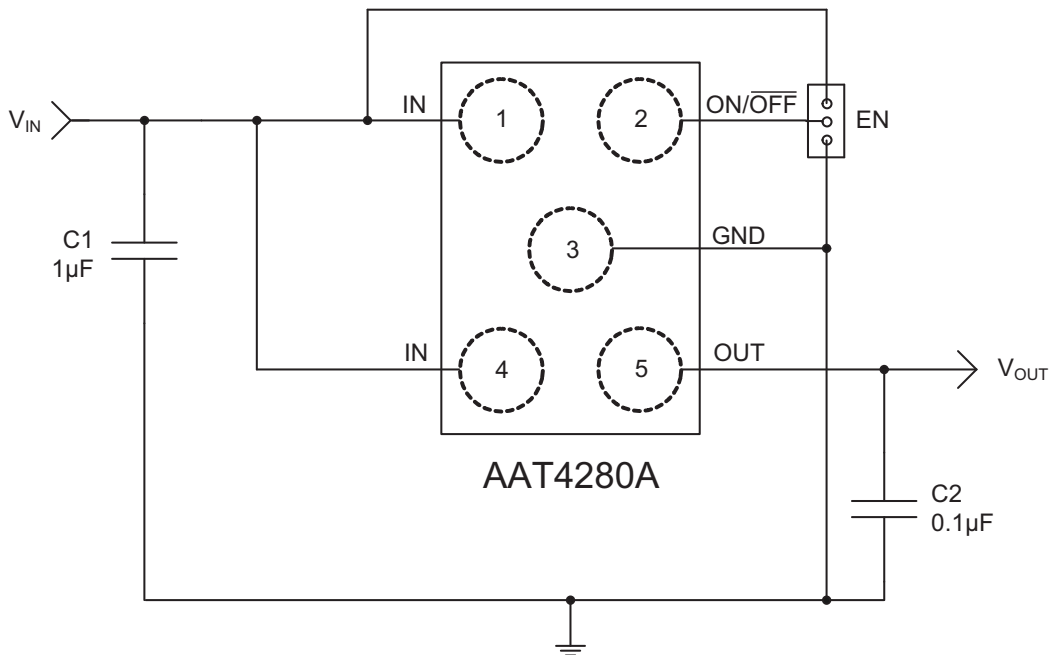


Figure 9: AAT4280A WLCSP-5 Package Evaluation Board Schematic.

Ordering Information

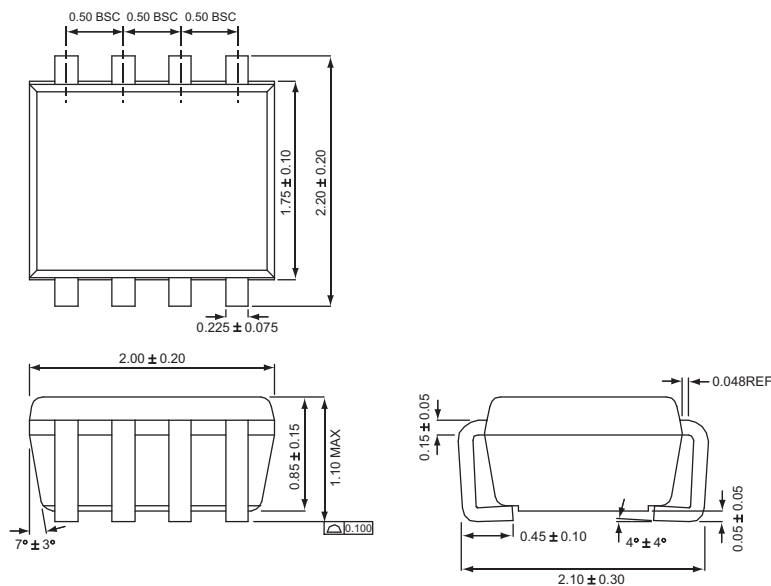
Device Option	Package	Marking ¹	Part Number (Tape and Reel) ²
AAT4280A-1	SC70JW-8	NDXYY	AAT4280AIJS-1-T1
AAT4280A-2	SC70JW-8	NEXYY	AAT4280AIJS-2-T1
AAT4280A-3	SC70JW-8	NFYXX	AAT4280AIJS-3-T1
AAT4280A-4	SC70JW-8	3EXYY	AAT4280AIJS-4-T1
AAT4280A-4	SOT23-6	3LXYY	AAT4280AIGU-4-T1
AAT4280A-3	WLCSP-5	4PYW ³	AAT4280AIUV-3-T1



All AnalogicTech products are offered in Pb-free packaging. The term “Pb-free” means semiconductor products that are in compliance with current RoHS standards, including the requirement that lead not exceed 0.1% by weight in homogeneous materials. For more information, please visit our website at <http://www.analogictech.com/about/quality.aspx>.

Package Information

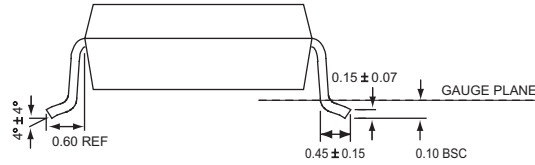
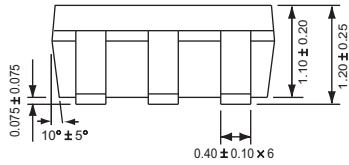
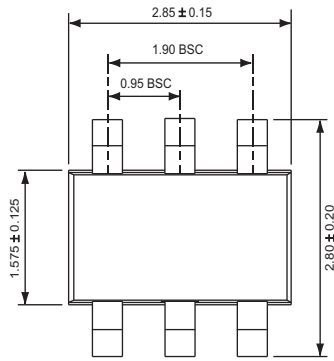
SC70JW-8



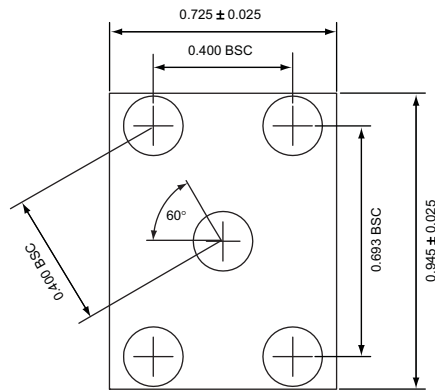
All dimensions in millimeters.

1. XYY = assembly and date code.
 2. Sample stock is generally held for part numbers listed in **BOLD**.
 3. YW = year code + week code.

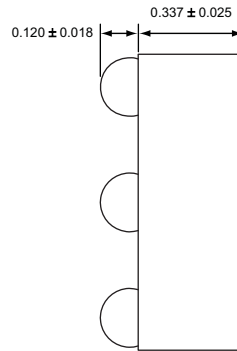
SOT23-6



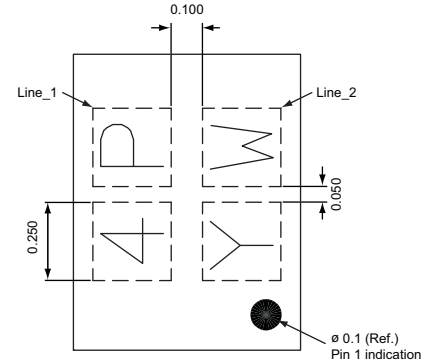
WLSCP-5



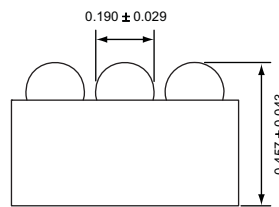
Bottom View



Side View



Top View



End View

All dimensions in millimeters.

Advanced Analogic Technologies, Inc.
 3230 Scott Boulevard, Santa Clara, CA 95054
 Phone (408) 737-4600
 Fax (408) 737-4611

© Advanced Analogic Technologies, Inc. AnalogicTech cannot assume responsibility for use of any circuitry other than circuitry entirely embodied in an AnalogicTech product. No circuit patent licenses, copyrights, mask work rights, or other intellectual property rights are implied. AnalogicTech reserves the right to make changes to their products or specifications or to discontinue any product or service without notice. Except as provided in AnalogicTech's terms and conditions of sale, AnalogicTech assumes no liability whatsoever, and AnalogicTech disclaims any express or implied warranty relating to the sale and/or use of AnalogicTech products including liability or warranties relating to fitness for a particular purpose, merchantability, or infringement of any patent, copyright or other intellectual property right. In order to minimize risks associated with the customer's applications, adequate design and operating safeguards must be provided by the customer to minimize inherent or procedural hazards. Testing and other quality control techniques are utilized to the extent AnalogicTech deems necessary to support this warranty. Specific testing of all parameters of each device is not necessarily performed. AnalogicTech and the AnalogicTech logo are trademarks of Advanced Analogic Technologies Incorporated. All other brand and product names appearing in this document are registered trademarks or trademarks of their respective holders.