



**MODEL NO. :** TM070RBH10

**ISSUED DATE:** 2011-1-3

**VERSION :** Ver 1.2

- Preliminary Specification
- Final Product Specification

**Customer :** \_\_\_\_\_

Approved by	Notes

**SHANGHAI AVIC Confirmed :**

Prepared by	Checked by	Approved by

This technical specification is subjected to change without notice

The information contained herein is the exclusive property of SHANGHAI AVIC OPTOELECTRONICS Corporation, and shall not be distributed, reproduced, or disclosed in whole or in part without prior written permission of SHANGHAI AVIC OPTOELECTRONICS Corporation.



## Table of Contents

Table of Contents .....	2
Record of Revision .....	3
1 General Specifications.....	4
2 Input/Output Terminals .....	5
3 Absolute Maximum Ratings.....	7
4 Electrical Characteristics .....	8
5 Timing Chart.....	11
6 Optical Characteristics .....	15
7 Environmental / Reliability Test.....	18
8 Mechanical Drawing .....	19
9 Packing drawing .....	20
10 Precautions for Use of LCD Modules .....	21

TIANMA CONFIDENTIAL





## 1 General Specifications

Feature		Spec
<b>Display Spec.</b>	Size	7.0 inch
	Resolution	800(RGB) x 480
	Interface	RGB 24 bits with TCON
	Color Depth	16M
	Technology Type	a-Si TFT
	Pixel Pitch (mm)	0.1926 (H) x 0.179(V)
	Pixel Configuration	R.G.B. Vertical Stripe
	Display Mode	TM,NW
	Surface Treatment	Anti Glare
	Viewing Direction	12 o'clock
	Gray Scale Inversion Direction	6 o'clock
<b>Mechanical Characteristics</b>	LCM (W x H x D) (mm)	164.9x 100 x 6.8
	Active Area(mm)	154.08 (W) x 85.92 (H)
	With /Without TSP	With TSP
	Weight (g)	195.09
	LED Numbers	24 LEDS

Note 1: Viewing direction for best image quality is different from TFT definition. There is a 180 degree shift.

Note 2: Requirements on Environmental Protection: RoHS

Note 3: LCM weight tolerance: +/- 5%



## 2 Input/Output Terminals

### 2.1 CN1 of FPC

PIN	Symbol	I/O	Description	Remark
1	VLED+	P	Led anode	
2	VLED+	P	Led anode	
3	VLED-	P	Led cathode	
4	VLED-	P	Led cathode	
5	GND	P	Ground	
6	VCOM	P	Common voltage input	
7	VCC	P	Digital power supply	
8	MODE	I	DE/SYNC mode select. H:DE mode, L:SYNC mode	
9	DE	I	Data enable signal, active high to enable data	
10	VSYNC	I	Vertical sync input, negative polarity	
11	HSYNC	I	Horizontal sync input, negative polarity	
12	B7	I	Blue data (MSB)	
13	B6	I	Blue data	
11	HSYNC	I	Horizontal sync input, negative polarity	
12	B7	I	Blue data (MSB)	
13	B6	I	Blue data	
14	B5	I	Blue data	
15	B4	I	Blue data	
16	B3	I	Blue data	
17	B2	I	Blue data	
18	B1	I	Blue data	
19	B0	I	Blue data (LSB)	
20	G7	I	Green data (MSB)	
21	G6	I	Green data	
22	G5	I	Green data	
23	G4	I	Green data	
24	G3	I	Green data	
25	G2	I	Green data	
26	G1	I	Green data	
27	G0	I	Green data (LSB)	
28	R7	I	Red data (MSB)	
29	R6	I	Red data	
30	R5	I	Red data	
31	R4	I	Red data	
32	R3	I	Red data	
33	R2	I	Red data	
34	R1	I	Red data	
35	R0	I	Red data (LSB)	
36	GND	P	Ground	
37	DCLK	I	Clock for input data	
38	GND	P	Ground	
39	LR	I	Source left or right sequence control	
40	UD	I	Gate up or down scan control	

The information contained herein is the exclusive property of SHANGHAI AVIC OPTOELECTRONICS Corporation, and shall not be distributed, reproduced, or disclosed in whole or in part without prior written permission of SHANGHAI AVIC OPTOELECTRONICS Corporation.



41	VGH	P	Positive power of TFT	
42	VGL	P	Negative power of TFT	
43	AVDD	P	Analog power supply	
44	RESET	I	Global reset pin	
45	NC	NC		
46	VCOM	P	Common voltage input	
47	DITHB	I	Dithering setting. H: 6bit resolution, L: 8bit resolution	
48	GND	P	Ground	
49	NC	NC		
50	NC	NC		

I---Input, O---Output, P--- Power/Ground

Table 2.1 terminal pin assignments

## 2.2 CN2 of TSP

PIN	Symbol	I/O	Description	Remark
1	XL	O	X+ channel output	
2	YD	O	Y+ channel output	
3	XR	O	X- channel output	
4	YU	O	Y- channel output	

I---Input, O---Output, P--- Power/Ground

Table 2.2 terminal pin assignments

## 2.3 U/D R/L Function Description

Scan control input		Scanning direction
UD	LR	
GND	VCC	Up to down, left to right
VCC	GND	Down to up, right to left
GND	GND	Up to down, right to left
VCC	VCC	Down to up, left to right



### 3 Absolute Maximum Ratings

Ta = 25°C

Item	Symbol	MIN	MAX	Unit	Remark
Power Voltage	VCC	-0.50	5.00	V	
	AVDD	-0.50	13.50	V	
	VGH	-0.30	42.00	V	
	VGL	-20.00	0.30	V	
	VGH-VGL	-0.30	40.00	V	
Operating Temperature	T <sub>op</sub>	-20.0	70.0	°C	
Storage Temperature	T <sub>st</sub>	-30.0	80.0	°C	

Table 3.1 absolute maximum rating

TIANMA CONFIDENTIAL



## 4 Electrical Characteristics

### 4.1 Recommended Operating Condition

VCC=3.3V, GND=0V, Ta = 25°C

Item	Symbol	MIN	TYP	MAX	Unit	Remark	
Digital supply Voltage	VCC	3.00	3.30	3.60	V		
Analog supply Voltage	AVDD	9.88	10.40	10.92	V		
Gate on voltage	VGH	14.40	16.00	17.60	V		
Gate off voltage	VGL	-7.70	-7.00	-6.30	V		
Common Electrode Driving Signal	VCOM	3.68	3.70	3.72	V		
Input Signal Voltage	Low Level	V <sub>IL</sub>	0	-	0.3xVCC	V	R0~R7, G0~G7, 0~B7, DE, DCLK, HSYNC, VSYNC, MODE, RESET, LR, UD, DITHB
	High Level	V <sub>IH</sub>	0.7xVCC	-	VCC	V	
Current of digital supply voltage	I <sub>VCC</sub>	-	-	10	mA	VCC=3.3V,colorbar pattern	
Current of analog supply voltage	I <sub>AVDD</sub>	-	-	30	mA		
Current of Gate on voltage	I <sub>VGH</sub>	-	-	0.3	mA	VGH=16.00V	
Current of Gate off voltage	I <sub>VGL</sub>	-	-	0.3	mA	VGL=-7.0V	

Table 4.1 LCD module electrical characteristics

Note 1: the value is for design stage only.





## 4.2 Backlight Unit Driving Condition

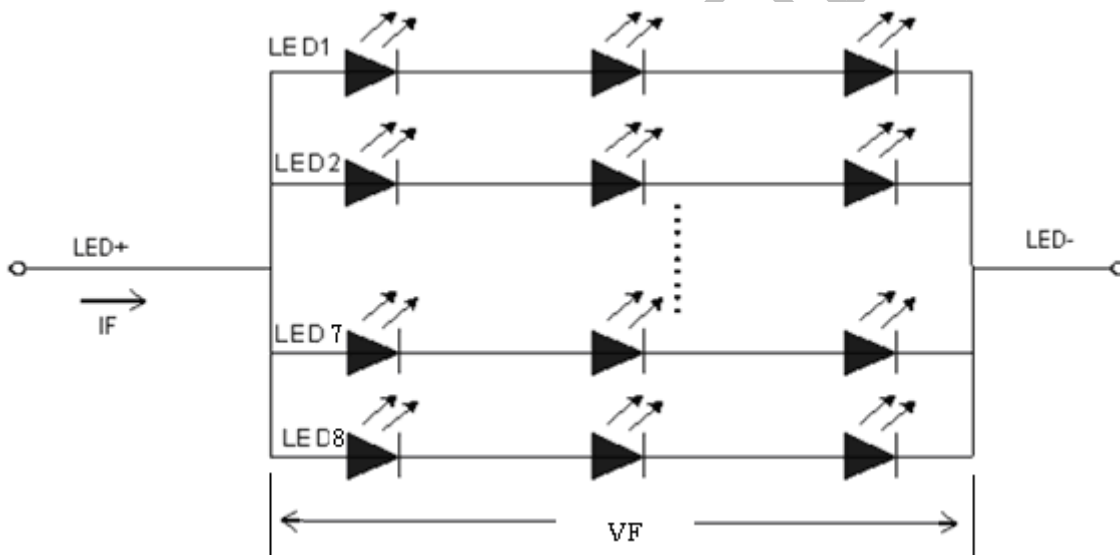
Item	Symbol	MIN	TYP	MAX	Unit	Remark
Forward Current	$I_F$	-	160.0	-	mA	24 LEDs (3 LED Serial, 8 LED Parallel)
Forward Current Voltage	$V_F$	-	9.6	-	V	
Backlight Power Consumption	$W_{BL}$	-	1536	-	mW	

Note1: The LED driving condition is defined for each LED module (3 LED Serial, 8 LED Parallel). For each LED:  $I_F$  (1/8) = 20mA,  $V_F$  (1/3) = 3.2V.

Note2: Under LCM operating, the stable forward current should be inputted. And forward voltage is for reference only.

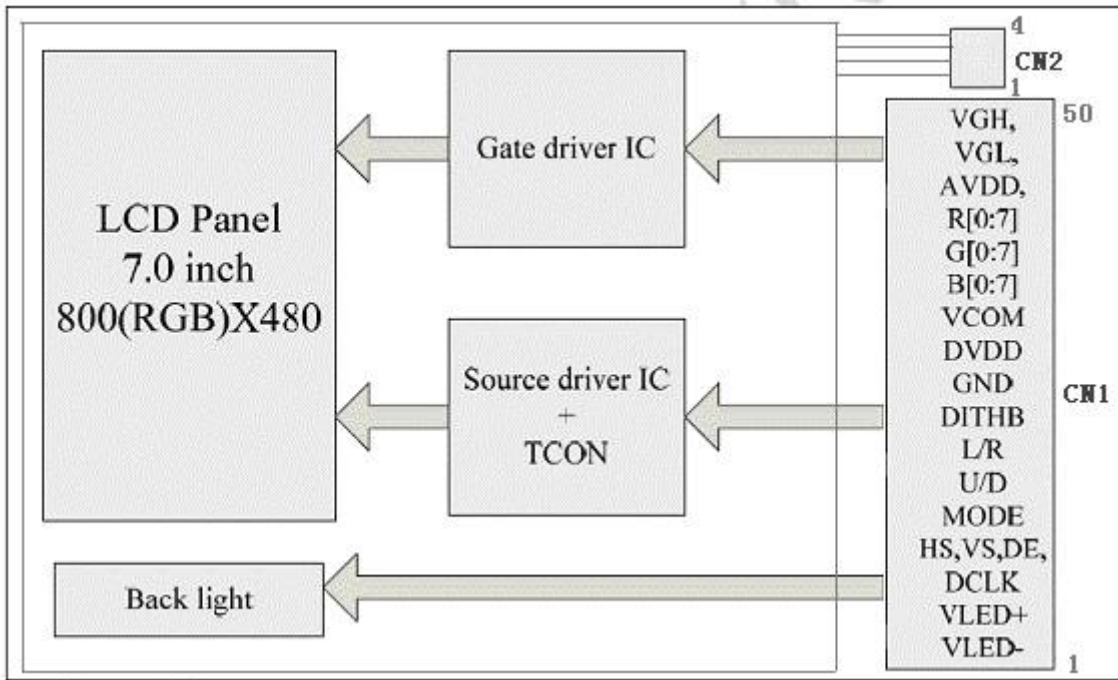
Note3:  $I_F$  is defined for one channel LED. Optical performance should be evaluated at  $T_a=25^\circ\text{C}$  only if LED is driven by high current, high ambient temperature & humidity condition. The life time of LED will be reduced. Operating life means brightness goes down to 50% initial brightness. Typical operating life time is estimated data.

Note4: The LED driving condition is defined for each LED module.





4.3 BLOCK DIAGRAM



TIANMA CONFIDENTIAL





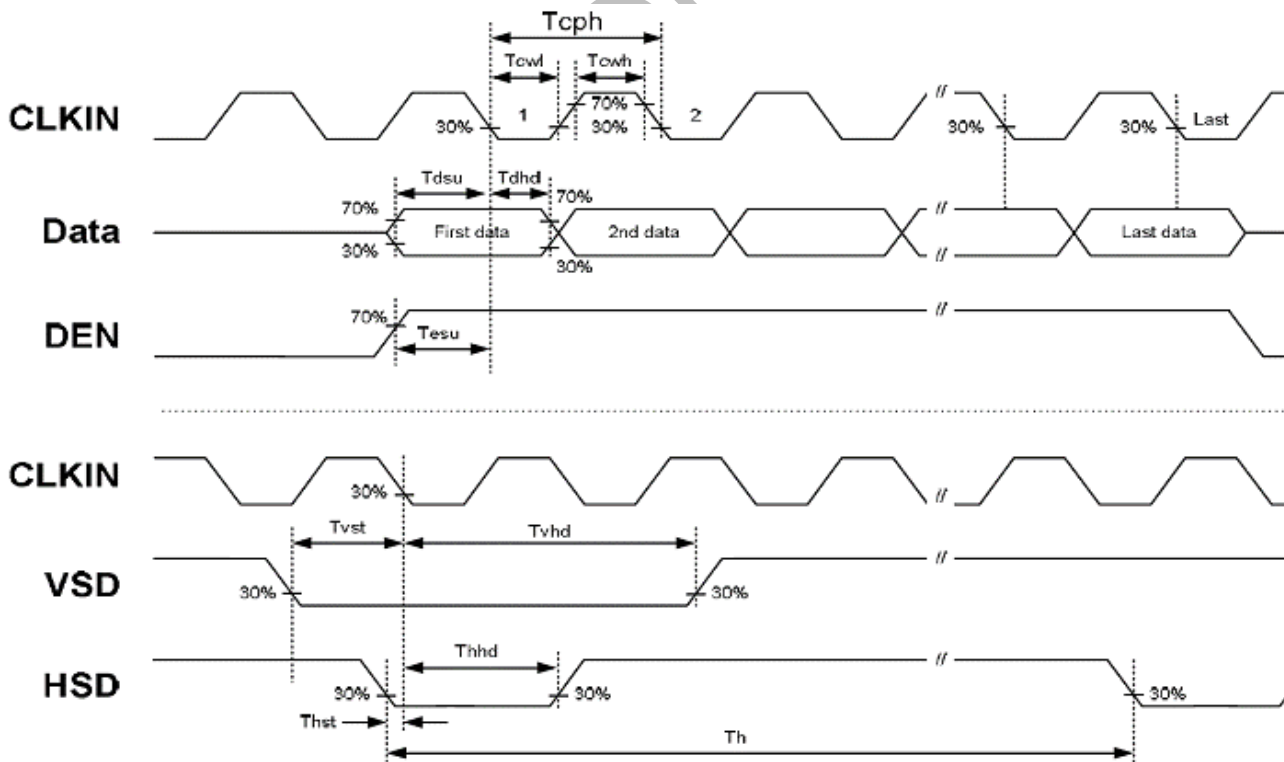
## 5 Timing Chart

### 5.1 TFT-LCD Input Timing

VCC=3.3V, GND=0V, Ta=25°C

Parameter	Symbol	Min	Typ	Max	Unit	Remark
DCLK frequency	$F_{clk}$	24.36	29.23	36.54	MHz	
DCLK cycle time	$T_{cph}$	41.05	34.21	27.37	ns	
DCLK pulse width	$T_{cw}$	40%	50%	60%	$T_{cph}$	
VS setup time	$T_{vst}$	10			ns	
VS hold time	$T_{vhd}$	10	-	-	ns	
HS setup time	$T_{hst}$	10			ns	
HS hold time	$T_{hhd}$	10	-	-	ns	
Data setup time	$T_{dsu}$	10			ns	Data to DCLK
Data hold time	$T_{dhd}$	10	-	-	ns	Data to DCLK
DE setup time	$T_{esu}$	10	-	-	ns	
DE hold time	$T_{ehd}$	10	-	-	ns	

#### Input Clock and Data timing Diagram:



The information contained herein is the exclusive property of SHANGHAI AVIC OPTOELECTRONICS Corporation, and shall not be distributed, reproduced, or disclosed in whole or in part without prior written permission of SHANGHAI AVIC OPTOELECTRONICS Corporation.



5.2 Recommended Timing Setting Of TCON

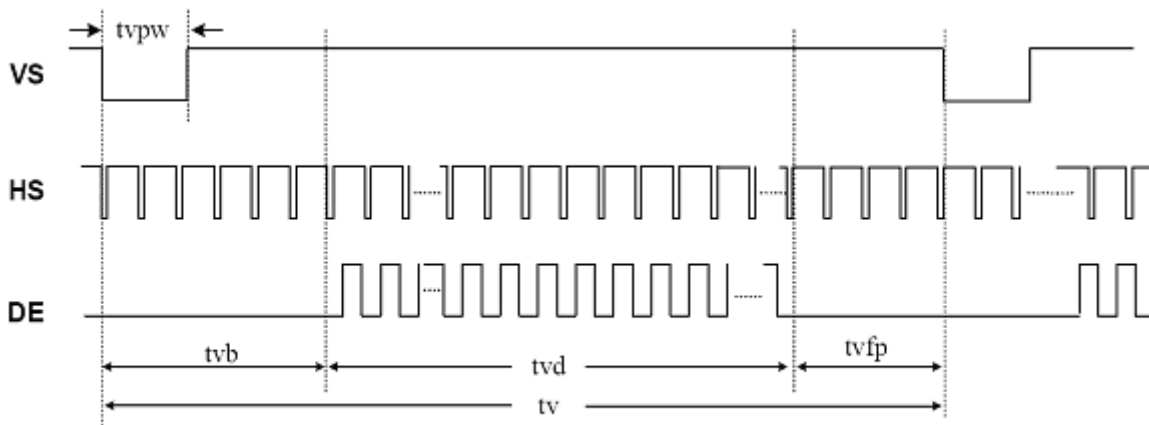
TCON (Embedded In Source IC) Input Timing (DCLK, HS, VS, DE)

VCC=3.3V, GND=0V, Ta=25°C

Parameter	Symbol	Min	Typ	Max	Unit	Remark
DCLK	F <sub>clk</sub>	24.36	29.23	36.54	MHZ	
	t <sub>clk</sub>	41.05	34.21	27.37	ns	
HS	t <sub>h</sub>	889	928	1143	t <sub>clk</sub>	
	t <sub>hd</sub>	800	800	800	t <sub>clk</sub>	
	t <sub>hpw</sub>	1	48	-	t <sub>clk</sub>	
	t <sub>hb</sub>	88	88	88	t <sub>clk</sub>	
	t <sub>hfp</sub>	1	40	255	t <sub>clk</sub>	
VS	t <sub>v</sub>	513	525	767	t <sub>h</sub>	
	t <sub>vd</sub>	480	480	480	t <sub>h</sub>	
	t <sub>vpw</sub>	3	3	-	t <sub>h</sub>	
	t <sub>vb</sub>	32	32	32	t <sub>h</sub>	
	t <sub>vfp</sub>	1	13	255	t <sub>h</sub>	

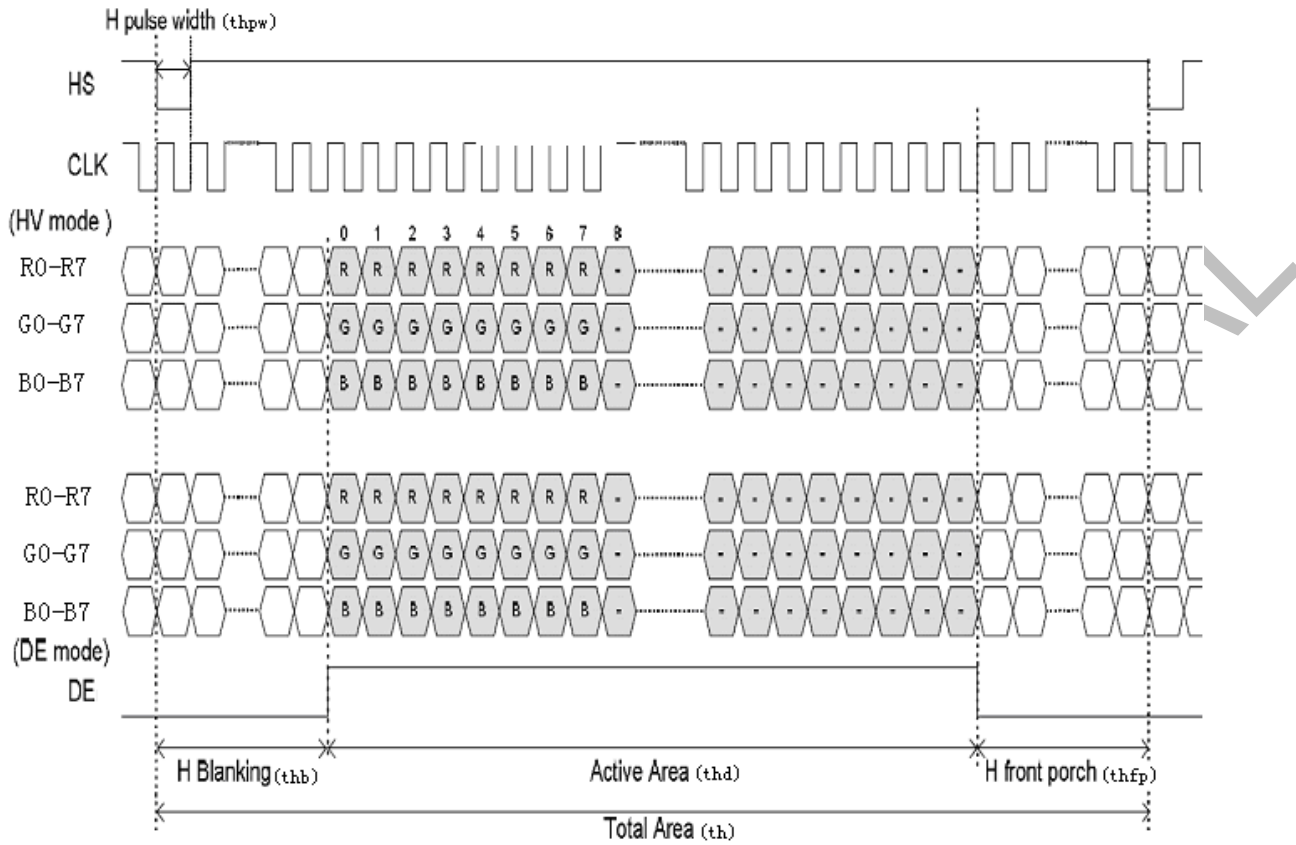
Note 1: DE timing refer to HS, VS input timing.

TCON Vertical Input Timing Diagram HV





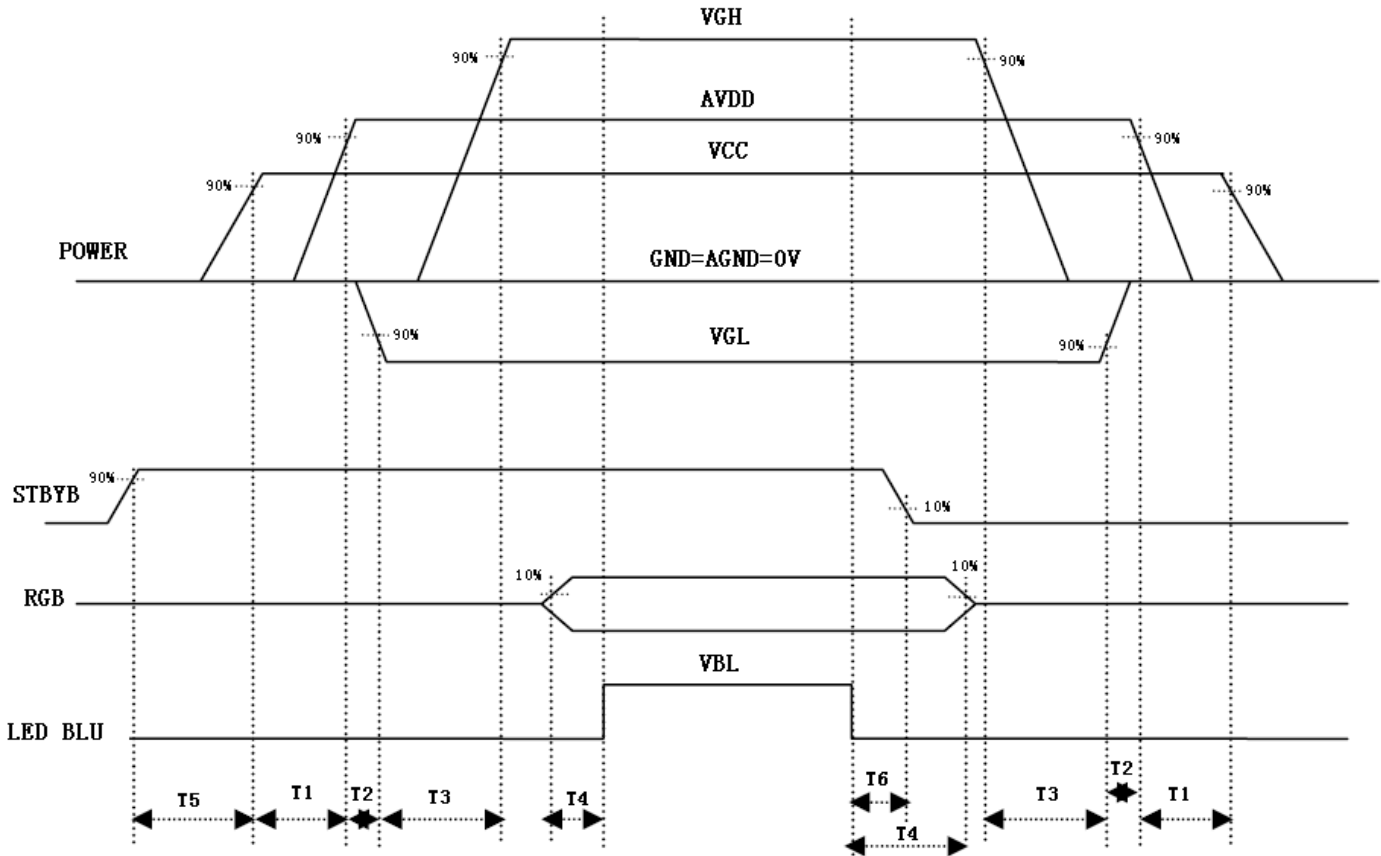
TCON Horizontal Input Timing Diagram



TIANMA CC



5.3 POWER ON/OFF SEQUENCE



Note: T1≥20ms, T2≥20ms, T3≥5ms, T4≥100ms, T5≥5ms, T6≥5ms.

TIANMA CO



## 6 Optical Characteristics

Ta=25°C

Item	Symbol	Condition	Min	Typ	Max	Unit	Remark	
View Angles	$\theta T$	CR $\geq$ 10	(40)	50	-	Degree	Note 2	
	$\theta B$		(60)	70	-			
	$\theta L$		(60)	70	-			
	$\theta R$		(60)	70	-			
Contrast Ratio	CR	$\theta=0^\circ$	(400)	500	-		Note1 Note3	
Response Time	T <sub>ON</sub>	25°C	-	25	-	ms	Note1 Note4	
	T <sub>OFF</sub>							
Chromaticity	White	Backlight is on	x	0.267	0.317	0.367		Note1 Note5
			y	0.284	0.334	0.384		
	Red		x	0.567	0.617	0.667		
			y	0.305	0.355	0.405		
	Green		x	0.289	0.339	0.389		
			y	0.483	0.533	0.583		
	Blue		x	0.092	0.142	0.192		
			y	0.049	0.099	0.149		
Uniformity	U		-	75	-	%	Note1 Note6	
NTSC			-	49.2	-	%	Note 5	
Luminance (With TP)	L		250	280	-	cd/m <sup>2</sup>	Note1 Note7	

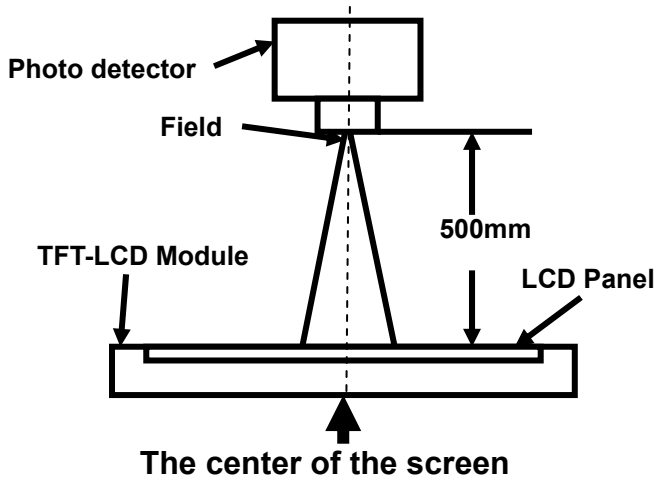
Test Conditions:

1. I<sub>F</sub>= 20 mA, V<sub>F</sub>=9.6 V and the ambient temperature is 25°C.
2. The test systems refer to Note 1 and Note 2.



Note 1: Definition of optical measurement system.

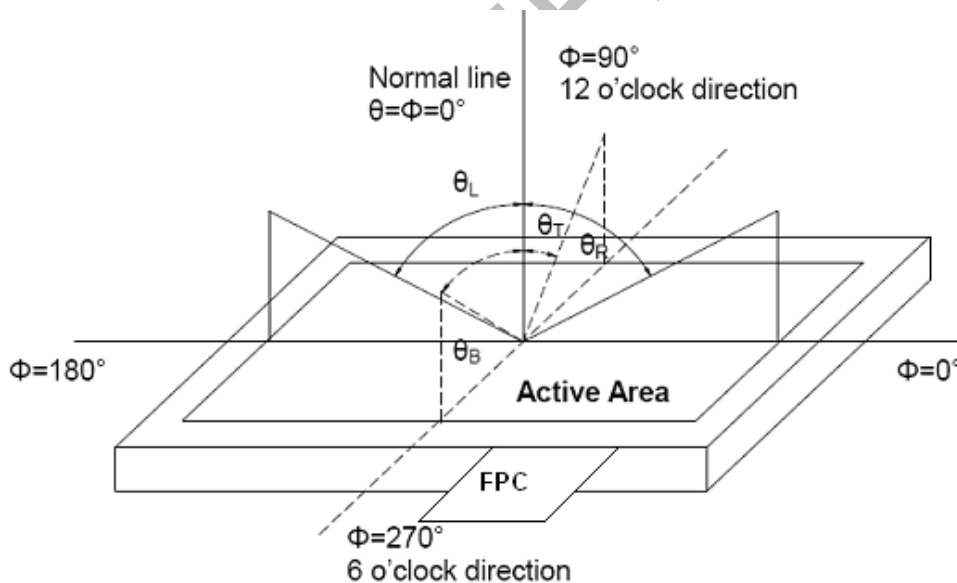
The optical characteristics should be measured in dark room. After 5 Minutes operation, the optical properties are measured at the center point of the LCD screen. All input terminals LCD panel must be ground when measuring the center area of the panel.



Item	Photo detector	Field
Contrast Ratio	SR-3A	1°
Luminance		
Chromaticity		
Lum Uniformity		
Response Time	BM-7A	2°

Note 2: Definition of viewing angle range and measurement system.

viewing angle is measured at the center point of the LCD by CONOSCOPE(ergo-80).



Note 3: Definition of contrast ratio

$$\text{Contrast ratio (CR)} = \frac{\text{Luminance measured when LCD is on the "White" state}}{\text{Luminance measured when LCD is on the "Black" state}}$$

"White state": The state is that the LCD should drive by V<sub>white</sub>.

"Black state": The state is that the LCD should drive by V<sub>black</sub>.

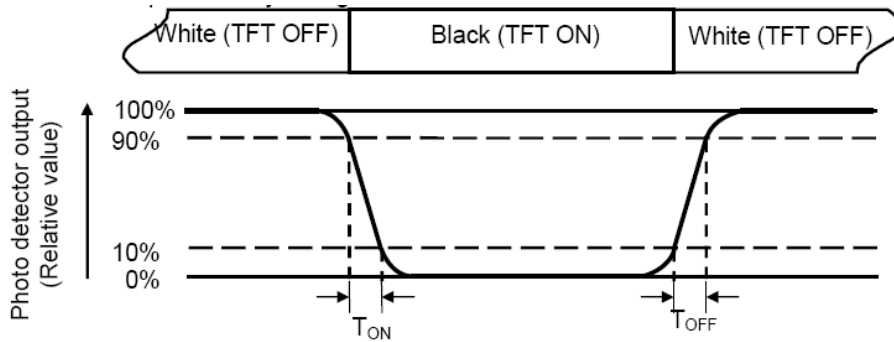
V<sub>white</sub>: To be determined    V<sub>black</sub>: To be determined.

Note 4: Definition of Response time





The response time is defined as the LCD optical switching time interval between “White” state and “Black” state. Rise time ( $T_{ON}$ ) is the time between photo detector output intensity changed from 90% to 10%. And fall time ( $T_{OFF}$ ) is the time between photo detector output intensity changed from 10% to 90%.



Note 5: Definition of color chromaticity (CIE1931)

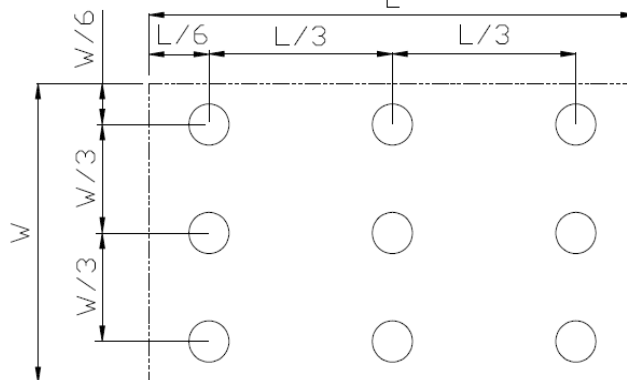
Color coordinates measured at center point of LCD.

Note 6: Definition of Luminance Uniformity

Active area is divided into 9 measuring areas (Refer Fig. 2). Every measuring point is placed at the center of each measuring area.

Luminance Uniformity ( $U$ ) =  $L_{min} / L_{max}$

L-----Active area length W----- Active area width



$L_{max}$ : The measured Maximum luminance of all measurement position.

$L_{min}$ : The measured Minimum luminance of all measurement position.

Note 7: Definition of Luminance:

Measure the luminance of white state at center point.



## 7 Environmental / Reliability Test

No	Test Item	Condition	Remarks
1	High Temperature Operation	Ts = +70°C, 240 hours	IEC60068-2-1:2007 GB2423.2-2008
2	Low Temperature Operation	Ta = -20°C, 240 hours	IEC60068-2-1:2007 GB2423.1-2008
3	High Temperature Storage	Ta = +80°C, 240 hours	IEC60068-2-1:2007 GB2423.2-2008
4	Low Temperature Storage	Ta = -30°C, 240 hours	IEC60068-2-1:2007 GB2423.1-2008
5	Storage at High Temperature and Humidity	Ta = +60°C, 90% RH max,240hours	IEC60068-2-78 :2001 GB/T2423.3—2006
6	Thermal Shock (non-operation)	-30°C 30 min~+80°C 30 min, Change time:5min, 100 Cycle	Start with cold temperature, End with high temperature, IEC60068-2-14:1984,G B2423.22-2002
7	ESD	C=150pF,R=330Ω,5point/panel Air:±8Kv,5times; Contact:±4Kv,5times (Environment:15°C~35°C, 30%~60%.86Kpa~106Kpa)	IEC61000-4-2:2001 GB/T17626.2-2006
8	Vibration Test	Frequency range:10~55Hz Stroke:1.5mm Sweep:10Hz~55Hz~10Hz 2 hours for each direction of X.Y.Z. (6 hours for total)	IEC60068-2-6:1982 GB/T2423.10—1995
9	Mechanical Shock (Non Op)	Half Sine Wave 100G 6ms, ±X,±Y,±Z 3times for each direction	IEC60068-2-27:1987 GB/T2423.5—1995
10	Package Drop Test	Height:60cm, 1corner,3edges,6surfaces	IEC60068-2-32:1990 GB/T2423.8—1995

Note1: Ts is the temperature of panel's surface.

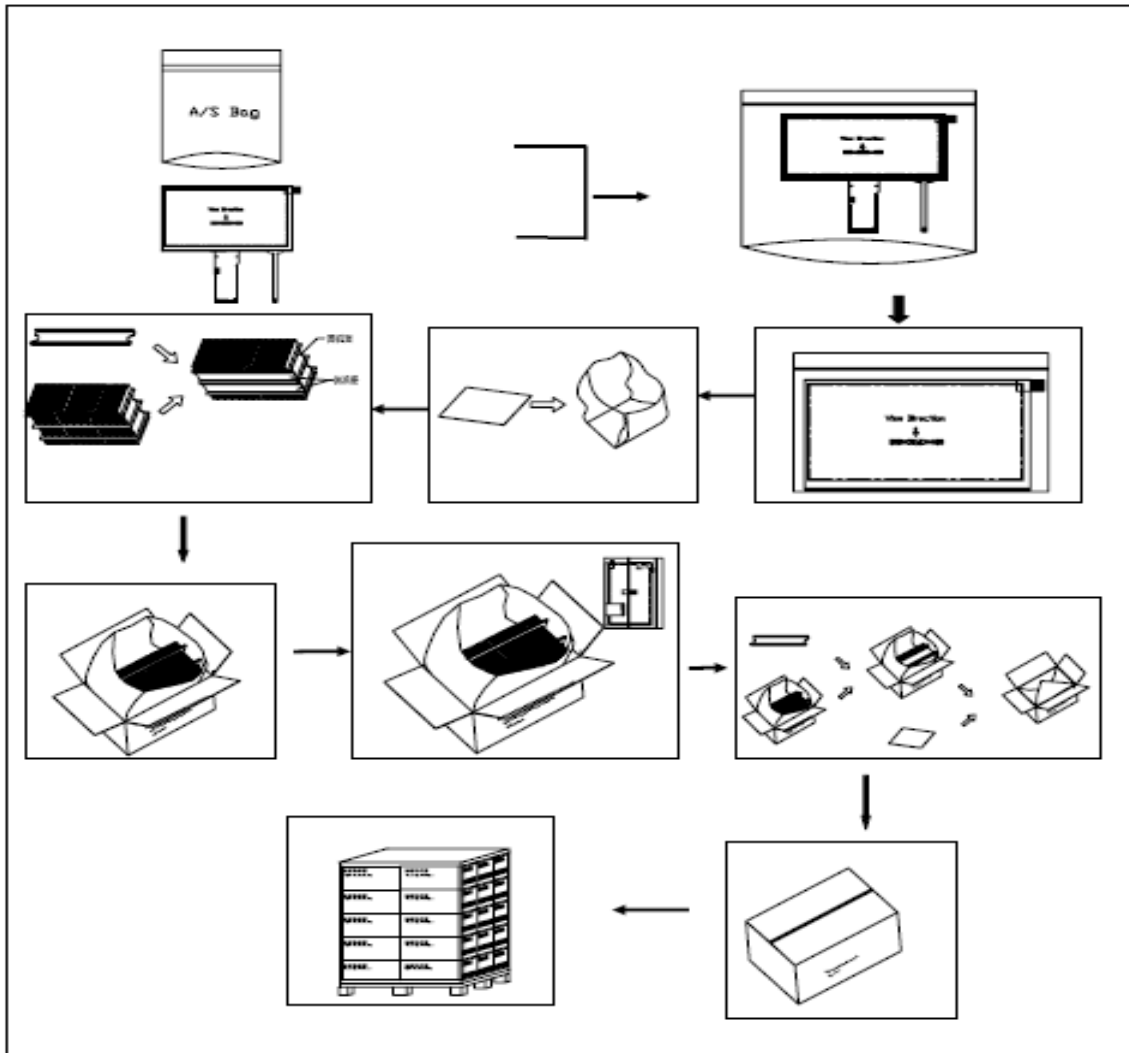
Note2: Ta is the ambient temperature of samples.





### 9 Packing drawing

No	Item	Model (Material)	Dimensions(mm)	Unit Weight(Kg)	Quantity	Remark	
1	LCM module	TM070RBH10	164.90x100.00x6.80	0.195	50		
2	Partition_1	Corrugated Paper	513x333x215	2.0	1		
3.	Anti-Static Bag	PE	200x175x0.05	0.01	50	Anti-static	
4	Dust-Proof Bag	PE	700x545	0.0600	1		
5	Partition_2	Corrugated Paper	505x332	0.1	2		
6	Corrugated Bar	Corrugated Paper	513x148	0.06	4		
7	Beauty-grain	Tape	30x10	0.001	50		
8	Dessicant	Dessicant	45x35	0.002	8		
9	Carton	Corrugated Paper	530x350x250	1.1000	1		
10	Total weight	13.9±5%					



The information contained herein is the exclusive property of SHANGHAI AVIC OPTOELECTRONICS Corporation, and shall not be distributed, reproduced, or disclosed in whole or in part without prior written permission of SHANGHAI AVIC OPTOELECTRONICS Corporation.



## 10 Precautions for Use of LCD Modules

### 10.1 Handling Precautions

10.1.1 The display panel is made of glass. Do not subject it to a mechanical shock by dropping it from a high place, etc.

10.1.2 If the display panel is damaged and the liquid crystal substance inside it leaks out, be sure not to get any in your mouth, if the substance comes into contact with your skin or clothes, promptly wash it off using soap and water.

10.1.3 Do not apply excessive force to the display surface or the adjoining areas since this may cause the color tone to vary.

10.1.4 The polarizer covering the display surface of the LCD module is soft and easily scratched. Handle this polarizer carefully.

10.1.5 If the display surface is contaminated, breathe on the surface and gently wipe it with a soft dry cloth. If still not completely clear, moisten cloth with one of the following solvents:

- Isopropyl alcohol
- Ethyl alcohol

Solvents other than those mentioned above may damage the polarizer. Especially, do not use the following:

- Water
- Ketone
- Aromatic solvents

10.1.6 Do not attempt to disassemble the LCD Module.

10.1.7 If the logic circuit power is off, do not apply the input signals.

10.1.8 To prevent destruction of the elements by static electricity, be careful to maintain an optimum work environment.

10.1.8.1 Be sure to ground the body when handling the LCD Modules.

10.1.8.2 Tools required for assembly, such as soldering irons, must be properly ground.

10.1.8.3 To reduce the amount of static electricity generated, do not conduct assembly and other work under dry conditions.

10.1.8.4 The LCD Module is coated with a film to protect the display surface. Be care when peeling off this protective film since static electricity may be generated.

### 10.2 Storage precautions

10.2.1 When storing the LCD modules, avoid exposure to direct sunlight or to the light of fluorescent lamps.

10.2.2 The LCD modules should be stored under the storage temperature range. If the LCD modules will be stored for a long time, the recommend condition is:

Temperature : 0°C ~ 40°C      Relatively humidity: ≤80%

10.2.3 The LCD modules should be stored in the room without acid, alkali and harmful gas.

### 10.3 Transportation Precautions

10.3.1 The LCD modules should be no falling and violent shocking during transportation, and also should avoid excessive press, water, damp and sunshine.