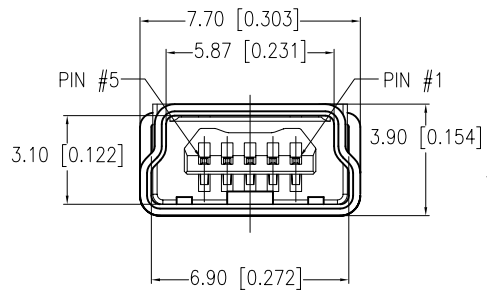
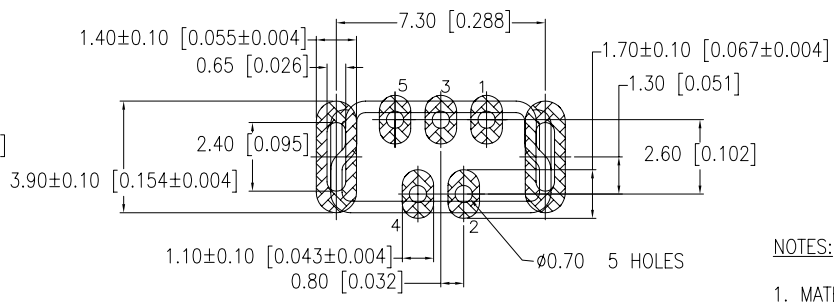


REVISIONS				
SYM	ZONE	ECN, ERN NO.	DATE	APPRD.
A		PROPOSAL	APR 25, 2008	L.CHAN



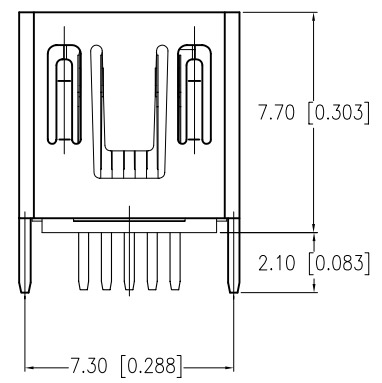
FRONT VIEW



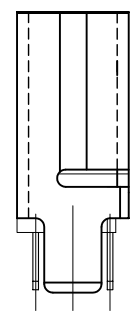
RECOMMENDED P.C.B. LAYOUT
(COMPONENT SIDE OF BOARD)
TOLERANCE: ±0.05mm

NOTES:

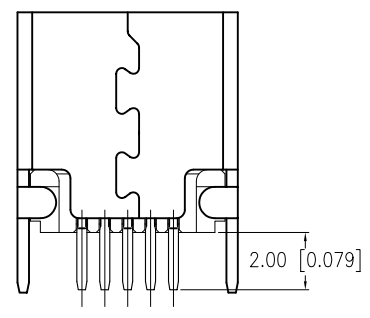
- 1. MATERIALS:
 - HOUSING: HIGH TEMPERATURE PLASTIC, OR PBT
FLAMMABILITY UL94V-0.
 - CONTACTS: COPPER ALLOY,
PLATING: GOLD ON MATING AREA (SEE AMPHENOL PART
NO. OPTION).
MATTE TIN OR GOLD FLASH ON CONTACT TAILS.
NICKEL UNDERPLATE.
 - SHELL: COPPER ALLOY,
NICKEL.



TOP VIEW



SIDE VIEW



BOTTOM VIEW

AMPHENOL PART NO.: UE25-BEX5-10X

SERIES _____
UE25=MINI USB RECEPTACLE

TYPE _____
B=SERIES B

STYLE _____
E=TOP ENTRY

CONTACT PLATING _____
5=30µ" [0.76 MICRONS] GOLD PLATING
ON CONTACT MATING AREA
7=GOLD FLASH OVER NICKEL ON CONTACT
MATING AREA.

MODIFIER
0=PBT
H=HIGH TEMP MATERIAL (<260°C)

SHIELD OPTIONS
0=WITHOUT REAR SHELL

COLOUR
1=BLACK

NUMBER OF CONTACTS
5=5 CONTACTS

UNLESS OTHERWISE SPECIFIED TOLERANCES ARE +0.30mm	DRAWN <u>HUILAN WANG</u>	DATE <u>APR 25, 08</u>
	DESIGNED <u>MT CHEN</u>	<u>APR 25, 08</u>
	CHECKED <u>L.CHAN</u>	<u>APR 25, 08</u>
	I. E. APPRD.	
	Q. A. APPRD.	
	DWG. APPRD.	
	ENG. REL. NO.	
REF.		
DIMENSIONS ARE IN _____	CODE ID. NO. _____	
MM [INCHES]	0.3554	

Amphenol Canada Corp.			
TITLE			
UNIVERSAL SERIAL BUS MINI-B RECEPTACLE, -ROHS COMPLIANT			
DWG	DRAWING NO.	REV.	
C	P-UE25-BEX5-10X	A	
SCALE	3/1	WT.	-----
SURF.	-----	SHEET	1 OF 1

THIS DOCUMENT CONTAINS PROPRIETARY INFORMATION AND SUCH INFORMATION MAY NOT BE DISCLOSED TO OTHERS FOR ANY PURPOSE OR USED FOR MANUFACTURING PURPOSES WITHOUT WRITTEN PERMISSION FROM AMPHENOL CANADA CORP.