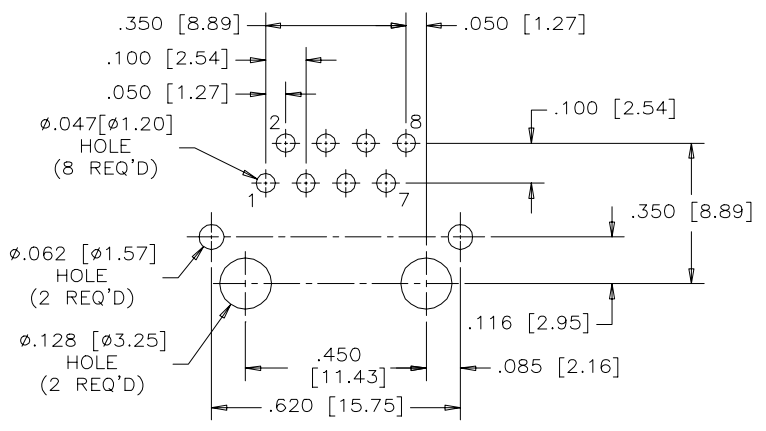
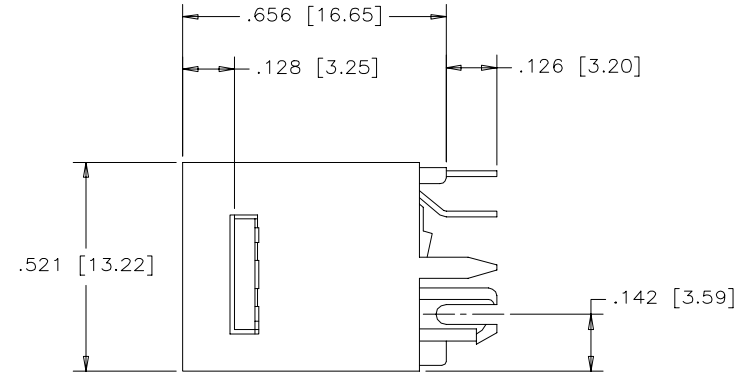
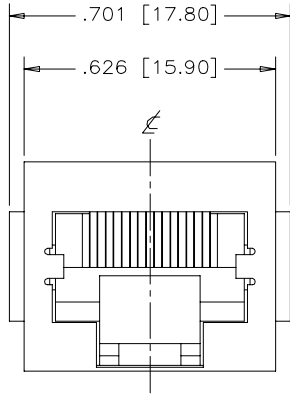
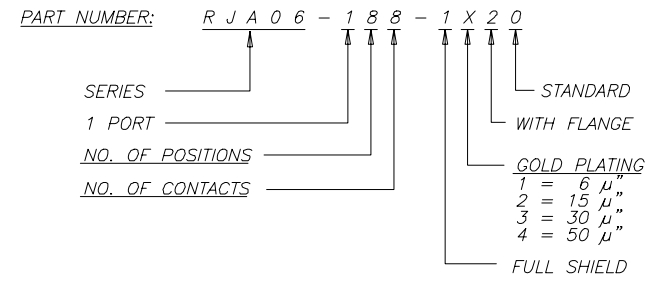
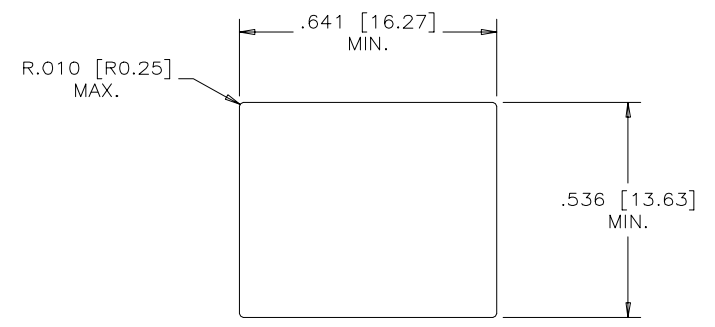


REVISIONS				
SYM	ZONE	ECN, ERN NO.	DATE	APPRD.
A		WAS P849CF	00/01/19	

THIS IS A CAD DRAWING. DO NOT MANUALLY REVISE.



RECOMMENDED P.C.B. LAYOUT  
(COMPONENT SIDE OF BOARD)



- MATERIALS:**
- HOUSING:** THERMOPLASTIC POLYESTER  
FLAMMABILITY RATING UL94V-0  
COLOUR: BLACK
  - CONTACTS:** PHOSPHOR BRONZE C5210.  
GOLD PLATING (PER P/N TABLE)  
OVER NICKEL,  
TIN/LEAD TAILS
  - SHIELD:** COPPER ALLOY, TIN-LEAD ALLOY PLATED

THIS DOCUMENT CONTAINS PROPRIETARY INFORMATION AND SUCH INFORMATION MAY NOT BE DISCLOSED TO OTHERS FOR ANY PURPOSE OR USED FOR MANUFACTURING PURPOSES WITHOUT WRITTEN PERMISSION FROM AMPHENOL CANADA CORP.

DRAWN R.PIKE	DATE 00/01/19	<b>Amphenol Canada Corp.</b>			
DESIGNED					
CHECKED A.KARIR	00/01/19				
I. E. APPRD.					
Q. A. APPRD.					
DWG. APPRD.		TITLE	RJA06 SERIES, 8 POSITION 8 CONTACT, VERTICAL MOUNT, WITH SHIELD, AND FLANGE		
ENG. REL. NO.		DWG	DRAWING NO.	REV.	
REF.			P-RJA06-188-1X20	A	
DIMENSIONS ARE IN INCHES [mm]	CODE ID, NO. 03554	SCALE	WT. -----	SURF. -----	SHEET 1 OF 1