

REVISIONS				
REV	ECN	DESCRIPTION	DATE	APPROVED
5		PROPOSAL DRAWING	JAN 6/09	ZLJ

FS1-SF1-1XXX

MOUNTING SCREW OPTION

- 1** = 8 mm MOUNTING SCREW SHIPPED BULK IN SAME TRAYS WITH CAGE ASSEMBLIES
- 2** = NO MOUNTING SCREW SUPPLIED
- 3** = 10 mm MOUNTING SCREW WITH LOCK WASHER SHIPPED BULK IN SAME TRAYS WITH CAGE ASSEMBLIES

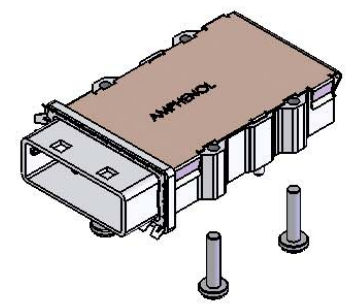
GASKET OPTION

- E** = STAINLESS STEEL EMI GASKET
- F** = FOAM, CHOMERICS SOFT SHIELD 4800, EMI GASKET

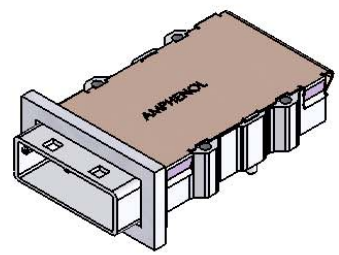
KEYING OPTION (SEE BELOW TABLE FOR FURTHER CLARIFICATION)

- 0** = NO KEY
- 1** = KEY #1
- 2** = KEY #2
- 3** = KEY #3
- 4** = KEY #4
- 5** = KEY #5
- 6** = KEY #6
- 7** = KEY #7
- 2,4** = KEY #2 AND #4
- 4,6** = KEY #4 AND #6

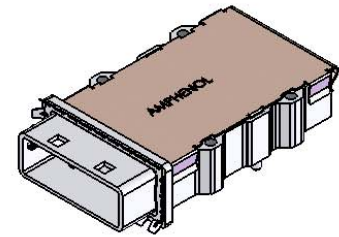
Key Option	Part Number	Description
0	FS1-SF1-10F1	No Key
1	FS1-SF1-11F1	SATA 'X' Cable
2	FS1-SF1-12F1	
3	FS1-SF1-13F1	
4	FS1-SF1-14F1	SAS Universal Port
5	FS1-SF1-15F1	
6	FS1-SF1-16F1	
7	FS1-SF1-17F1	SATA 'M' Cable
2,4	FS1-SF1-124F1	SAS Out Port
4,6	FS1-SF1-146F1	SAS In Port



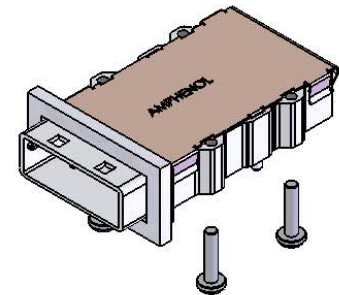
PART NUMBER: **FS1-SF1-14E1** SHOWN
(CAGE ASSEMBLY WITH STAINLESS STEEL GASKET AND 8mm MOUNTING SCREWS SHIPPED BULK)



PART NUMBER: **FS1-SF1-14F2** SHOWN
(CAGE ASSEMBLY WITH FOAM GASKET WITHOUT MOUNTING SCREWS)



PART NUMBER: **FS1-SF1-14E2** SHOWN
(CAGE ASSEMBLY WITH STAINLESS STEEL GASKET WITHOUT MOUNTING SCREWS)



PART NUMBER: **FS1-SF1-14F1** SHOWN
(CAGE ASSEMBLY WITH FOAM GASKET AND 8mm MOUNTING SCREWS SHIPPED BULK)

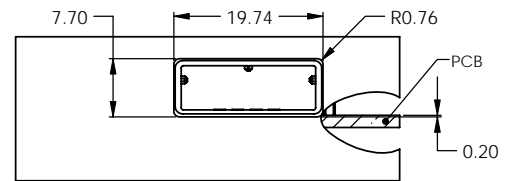
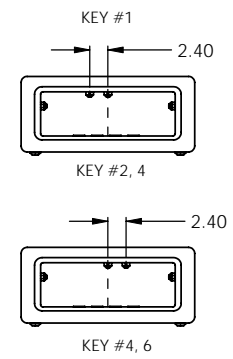
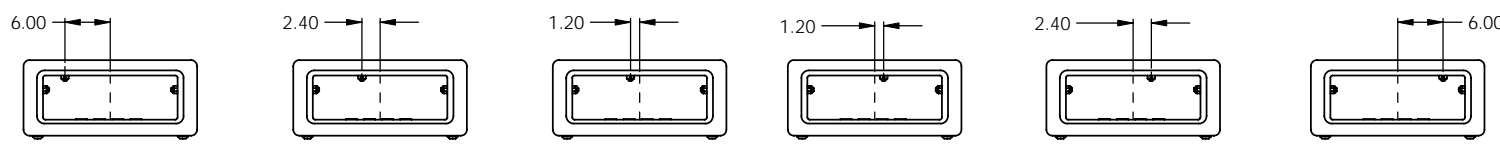


DO NOT SCALE DRAWING

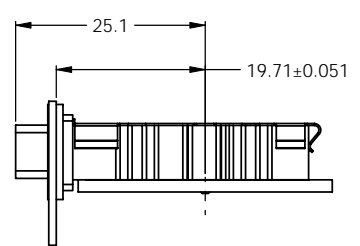
THIS DOCUMENT CONTAINS PROPRIETARY INFORMATION AND SUCH INFORMATION MAY NOT BE DISCLOSED TO OTHERS FOR ANY PURPOSE OR USED FOR MANUFACTURING PURPOSES WITHOUT PERMISSION FROM AMPHENOL CANADA CORP.

UNLESS OTHERWISE SPECIFIED DIMENSIONS ARE IN MILLIMETERS TOLERANCES ARE:		APPROVALS		DATE		Amphenol Canada Corp.	
DECIMALS	ANGLES	DRAWN	ZLJ	JAN 6/09	TITLE		
X ± 0.25	± 2°	DESIGNED	ZLJ	JAN 06/09	MINI SAS 0 DEGREE SINGLE PORT CAGE		
XX ± 0.10		CHECKED			PROJECT		
XXX ± 0.05		DRAWN			SFF		
MATERIAL AND FINISH		SCALE		SHEET		REV	
ENG. REL. NO. EAR 123XX		SCALE		SHEET		REV	
CODE IDENT NO. 03554		SCALE		SHEET		REV	
		SCALE		SHEET		REV	

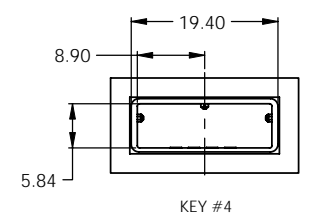
REVISIONS				
REV	ECN	DESCRIPTION	DATE	APPROVED
5		SEE SHEET 1	JAN 06/09	ZLJ



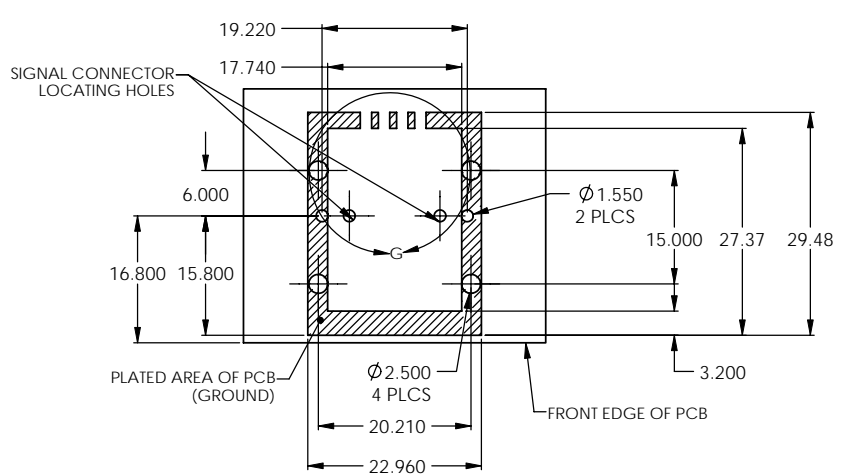
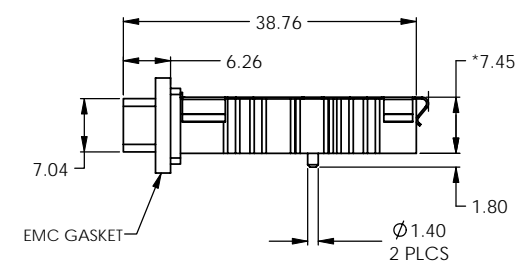
RECOMMENDED PANEL CUT-OUT



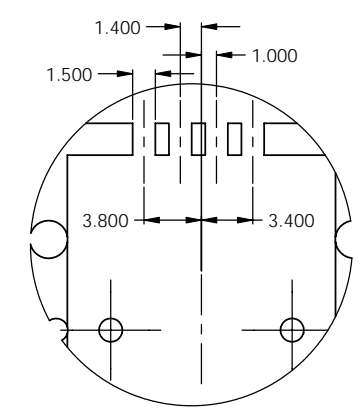
RECOMMENDED FACE PLATE TO LOCATING POST DISTANCE



KEY #4



RECOMMENDED PCB LAYOUT



DETAIL G
SCALE 4 : 1

NOTES:
 1) MATERIAL:
 MAIN CAGE: ZINC DIECAST SHELL WITH 150 MICROINCHES OF NICKEL PLATING
 EMC GASKET: SEE SHEET 1
 COVER: STAINLESS STEEL
 MOUNTING SCREW: AISI 1010 STEEL
 2) ROHS COMPLIANT



UNLESS OTHERWISE SPECIFIED DIMENSIONS ARE IN MILLIMETERS TOLERANCES ARE:		APPROVALS		DATE		Amphenol Canada Corp.	
DECIMALS	ANGLES	DRAWN	ZLJ	JAN 06/09	TITLE		
X ± 0.25	± 2°	DESIGNED	ZLJ	JAN 06/09	MINI SAS 0 DEGREE SINGLE PORT CAGE		
.XX ± 0.10		CHECKED			SCALE		
.XXX ± 0.05		DATE			PROJECT		
MATERIAL AND FINISH		DRAWN		NO.		REV	
EAR 123XX		C		P-FS1-SF1-1XXX		S	
CODE IDENT NO 03554		DWG APPD		SCALE NTS		SHEET 1 OF 1	

DO NOT SCALE DRAWING

THIS DOCUMENT CONTAINS PROPRIETARY INFORMATION AND SUCH INFORMATION MAY NOT BE DISCLOSED TO OTHERS FOR ANY PURPOSE OR USED FOR MANUFACTURING PURPOSES WITHOUT PERMISSION FROM AMPHENOL CANADA CORP.