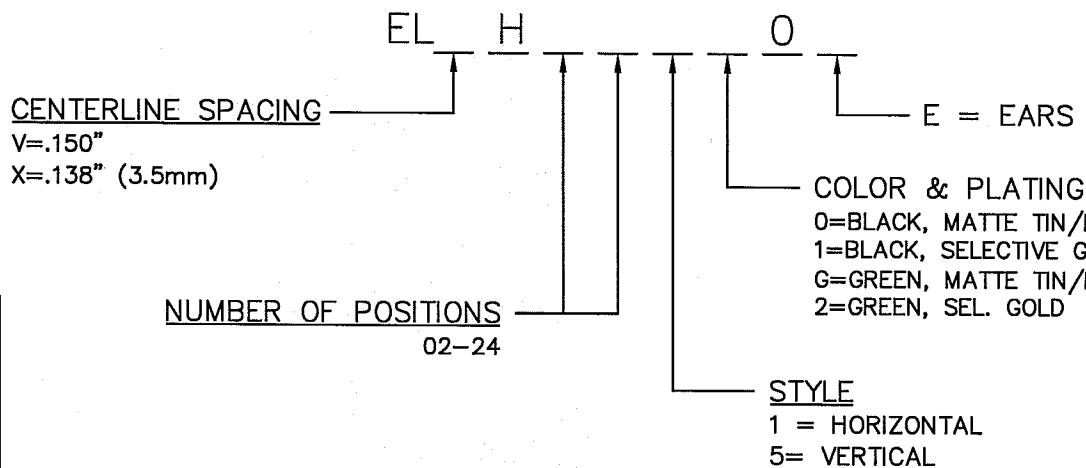


ELVH/ELXH SERIES PART NUMBERING SCHEME

REV	ENR	APPD
-	3624	JEC 1-18-99
A	3729	JEC 4/12/99
B	3865	JEC 11-9-99
C	3943	JEC 3/24/99
D	4578	IQ 9/21/01
E	4661	IQ 11/26/01
F	4783	IQ 3/7/02
G	5742	RN 12/28/05
H	6113	JT 2/12/07



RU
RATINGS
CURRENT - 12A
VOLTAGE - 300V
U.L. FILE NO. E83421

SA
RATINGS
CURRENT - 12A
VOLTAGE - 300V
CSA FILE NO. LR69703

DIN VDE 0627:1986
DIN VDE 0110-1:1989
EN 60947-1:1991
EN 60947-7-1:1992

CURRENT - 12A
VOLTAGE - 300 V
TUV FILE NO. 20396

CONSULT PCD FOR PART NO. AND AVAILABILITY OF FOLLOWING OPTIONS:
* CUSTOM COLORS
* CUSTOM MARKING
* CUSTOM KEYING
* SELECTIVE CONTACT LOADING

MATERIALS:
HOUSING: PA 4/6, UL 94 V-0
CONTACT: BRASS, OPTIONAL FINISH

MAX OPERATING TEMPERATURE: 125°C
MAX INTRUSIVE SOLDER TEMP: 250°C

DIMENSIONS
ANSI Y14.5M
UNITS: INCHES
ACAD FILE

TOLERANCES
.XX ±.01
.XXX ±.005
ANGLES ±2°

PROJECTION

Amphenol Pcd
SPECIFICATION DRAWING

ENGR
I. QUINN 12/21/98

CHKD
J. CAHALY 1/18/99

APPD
J. CAHALY 1/18/99

TITLE
ELV/ELX SERIES
HEADER

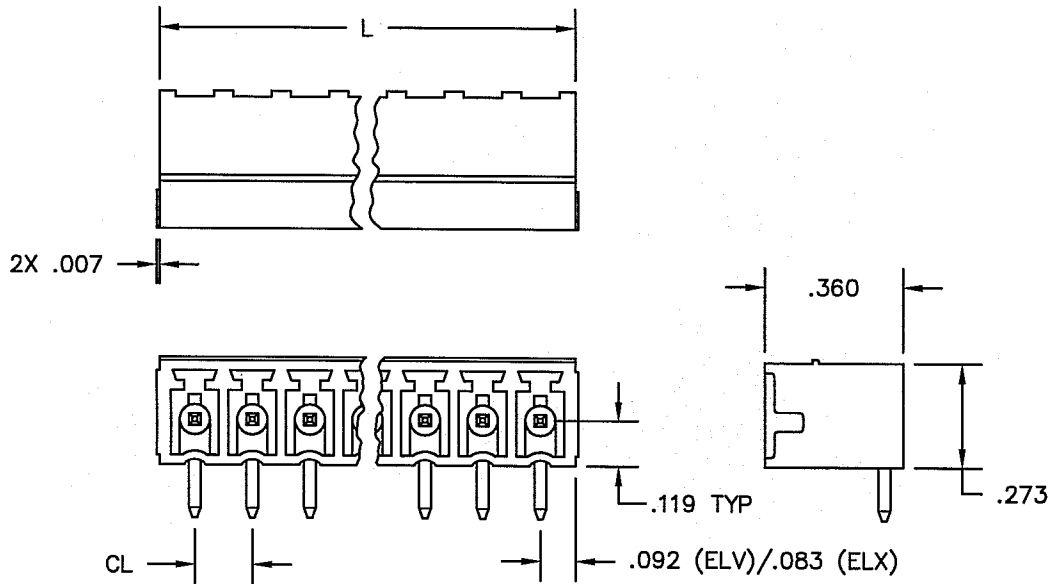
ORIGINAL
STAMPED
IN RED

THIS DOCUMENT CONTAINS PROPRIETARY INFORMATION WHICH IS THE CONFIDENTIAL PROPERTY OF AMPHENOL PCD INC. PEABODY, MA

SIZE A DWG NO. ELVH02100 REV H

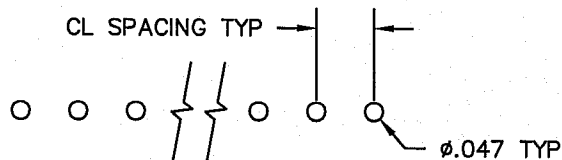
CODE: 58982 SCALE: NONE SHEET 1 OF 2

STANDARD HEADER
HORIZONTAL STYLE SHOWN



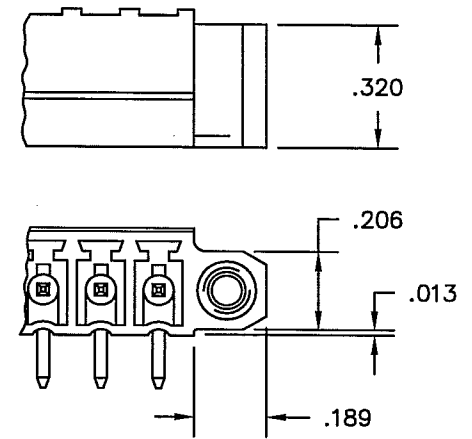
ELV: $L = (\text{NUM OF POS} \times .150) + .032$ "
ELX: $L = (\text{NUM OF POS} \times .138) + .028$ "

PRINTED CIRCUIT BOARD CONFIGURATION

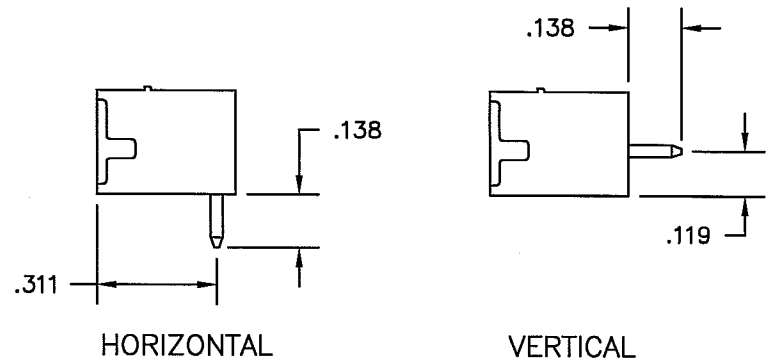


RECOMMENDED PCB THICKNESS: $.062 \pm .008$

EAR CONFIGURATION



STYLE



SIZE	DWG NO.	DOC REV
A	ELVH02100	H
CODE: 58982	SCALE: NONE	SHEET 2 OF 2