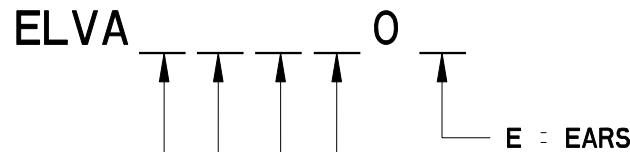


REV	ECN	APP'D
-	5039	

# ELVA 2-TIER HEADER SERIES PART NUMBER SCHEME



### COLOR & PLATING

- 0 : BLACK, MATTE TIN(SELECTIVE) .00005 THK MIN
- 1 : BLACK, SELECTIVE GOLD .00003 THK MIN
- G : GREEN, MATTE TIN, .00005 THK MIN
- 2 : GREEN, SEL. GOLD, .00003 THK MIN

### ORIENTATION

- 1 : HORIZONTAL
- 5 : VERTICAL

**NUMBER OF POSITIONS**  
04-40 (EVEN NUMBERS ONLY)

CONSULT PCD FOR PART NO. AND AVAILABILITY OF FOLLOWING OPTIONS:

- \*CUSTOM COLORS
- \*CUSTOM MARKING
- \*CUSTOM KEYING
- \*SELECTIVE CONTACT LOADING

### MATERIALS:

HOUSING: PA 4/6 UL 94 V-0  
CONTACT: BRASS, OPTIONAL FINISH

### MAX OPERATING TEMPERATURES:

125°C CONTINUOUS USE  
250°C FOR 1 MIN (SOLDERING)

**RU RATINGS**

CURRENT - 12A  
VOLTAGE - 300V  
U.L. FILE NO. E83421

**SP RATINGS**

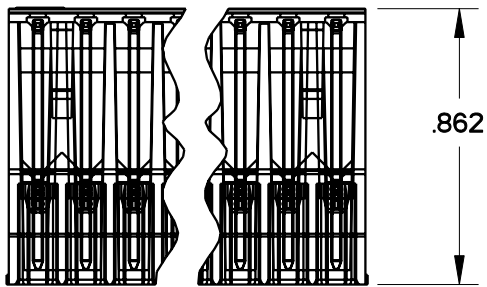
CURRENT - 12A  
VOLTAGE - 300 V  
CSA FILE NO. LR69703

DIN VDE 0627:1986  
DIN VDE 0110-1:1989  
EN 60947-1:1991  
EN 60947-7-1:1992

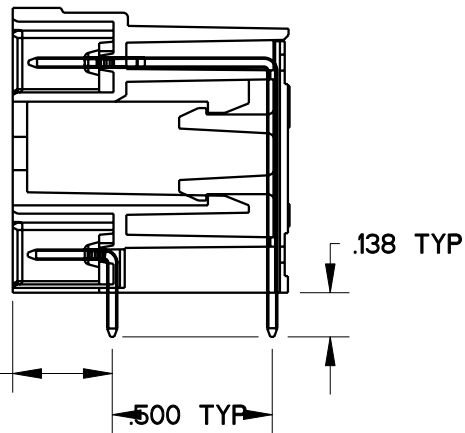
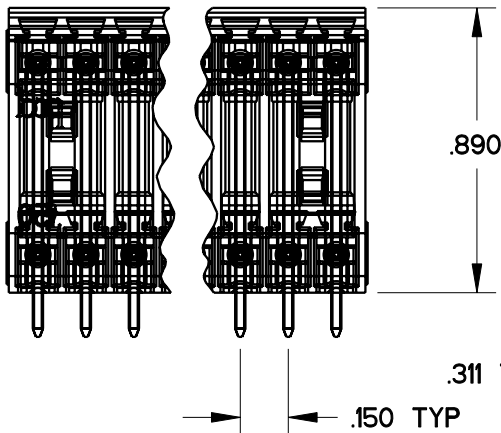
CURRENT - NOT RATED  
VOLTAGE - NOT RATED  
TUV FILE NO. N/A

<b>DIMENSIONS</b> ANSI Y14.5M UNITS: INCHES Pro/E FILE	<b>TOLERANCES</b> .XX ±0.01 .XXX ±0.005 ANGLES ±2.0°	<b>PROJECTION</b> 	<b>SPECIFICATION DRAWING</b>		<b>TITLE</b>  <h2>ELV 2-TIER HEADER SERIES</h2>	
			ENGR I. QUINN 10/15/02			
<b>ORIGINAL STAMPED IN RED</b>	THIS DOCUMENT CONTAINS PROPRIETARY INFORMATION WHICH IS THE CONFIDENTIAL PROPERTY OF AMPHENOL PCD, INC. PEABODY, MA, USA	CHKD		SIZE <b>A</b>	DWG NO. <b>ELVA04100</b>	REV -
		APPD		CODE: 58982	SCALE: NONE	SHEET 1 OF 2

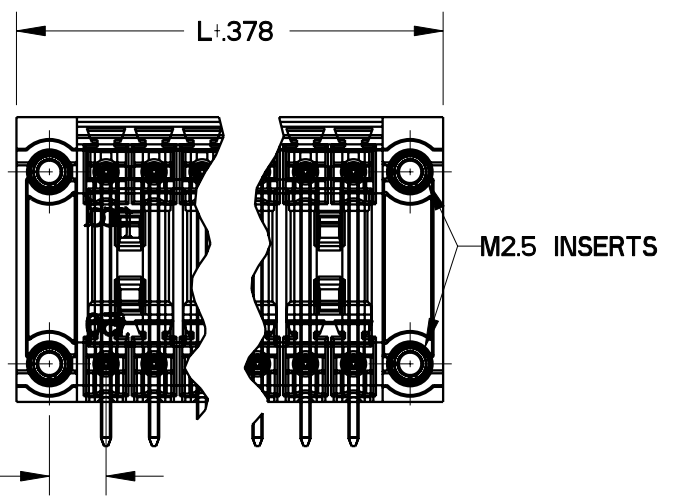
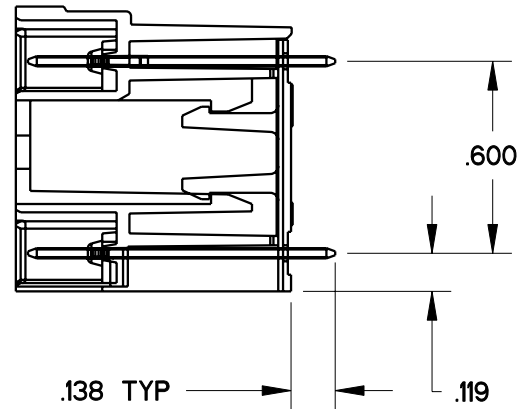
$$L = (\text{NUM OF POS} \times .150) + .039$$



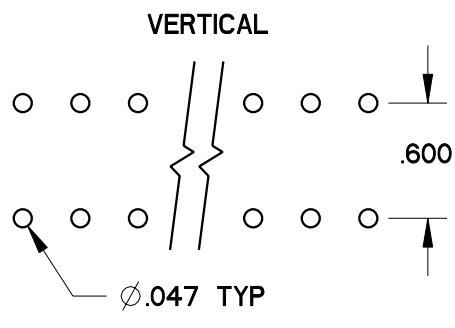
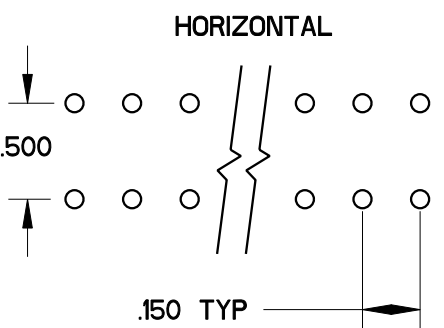
HORIZONTAL



VERTICAL



PRINTED CIRCUIT BOARD CONFIGURATION

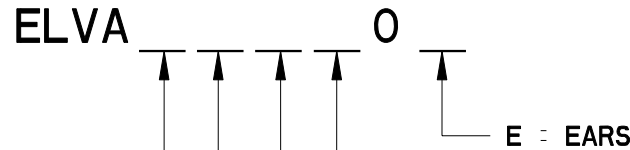


RECOMMENDED PCB THICKNESS: .062±.008

SIZE	DWG NO.	REV
A	ELVA04100	-
CODE: 58982	SCALE: NONE	SHEET 2 OF 2

REV	ECN	APP'D
-	5039	

# ELVA 2-TIER HEADER SERIES PART NUMBER SCHEME



### COLOR & PLATING

- 0 : BLACK, MATTE TIN(SELECTIVE) .00005 THK MIN
- 1 : BLACK, SELECTIVE GOLD .00003 THK MIN
- G : GREEN, MATTE TIN, .00005 THK MIN
- 2 : GREEN, SEL. GOLD, .00003 THK MIN

### ORIENTATION

- 1 : HORIZONTAL
- 5 : VERTICAL

**NUMBER OF POSITIONS**  
04-40 (EVEN NUMBERS ONLY)

CONSULT PCD FOR PART NO. AND AVAILABILITY OF FOLLOWING OPTIONS:


- \*CUSTOM COLORS
- \*CUSTOM MARKING
- \*CUSTOM KEYING
- \*SELECTIVE CONTACT LOADING

### MATERIALS:

HOUSING: PA 4/6 UL 94 V-0  
CONTACT: BRASS, OPTIONAL FINISH


### MAX OPERATING TEMPERATURES:

125°C CONTINUOUS USE  
250°C FOR 1 MIN (SOLDERING)



**RATINGS**

CURRENT - 12A  
VOLTAGE - 300V  
U.L. FILE NO. E83421

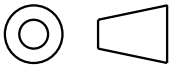


**RATINGS**

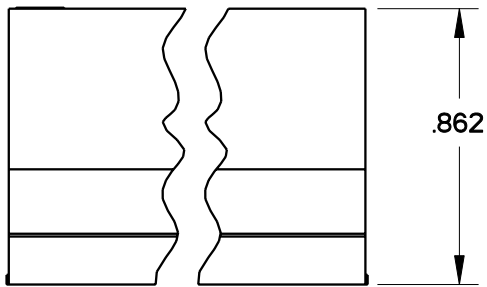
CURRENT - 12A  
VOLTAGE - 300 V  
CSA FILE NO. LR69703

DIN VDE 0627:1986  
DIN VDE 0110-1:1989  
EN 60947-1:1991  
EN 60947-7-1:1992

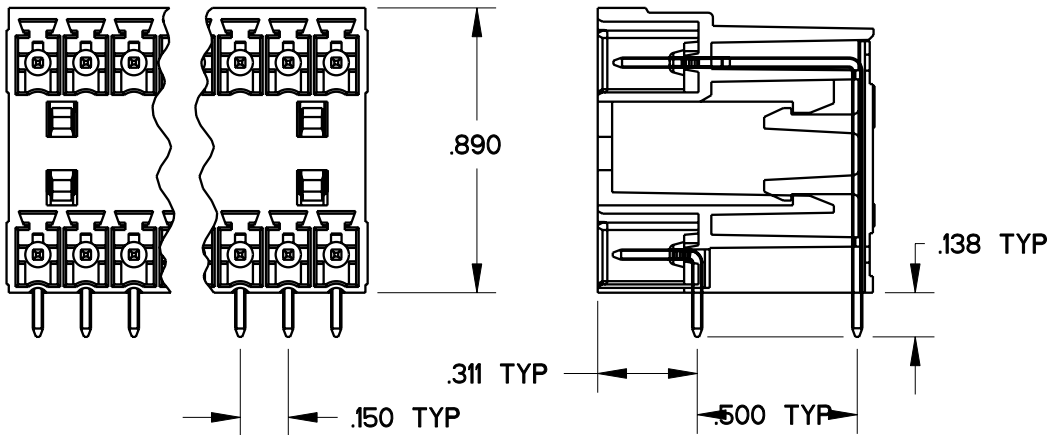
CURRENT - NOT RATED  
VOLTAGE - NOT RATED  
TUV FILE NO. N/A

<b>DIMENSIONS</b> ANSI Y14.5M UNITS: INCHES Pro/E FILE	<b>TOLERANCES</b> .XX ±0.01 .XXX ±0.005 ANGLES ±2.0°	<b>PROJECTION</b> 	<b>SPECIFICATION DRAWING</b>		<b>TITLE</b>  <h2>ELV 2-TIER HEADER SERIES</h2>	
			ENGR I. QUINN 10/15/02			
<b>ORIGINAL STAMPED IN RED</b>	THIS DOCUMENT CONTAINS PROPRIETARY INFORMATION WHICH IS THE CONFIDENTIAL PROPERTY OF AMPHENOL PCD, INC. PEABODY, MA, USA	CHKD		SIZE <b>A</b>	DWG NO. <b>ELVA04100</b>	REV -
		APPD		CODE: 58982	SCALE: NONE	SHEET 1 OF 2

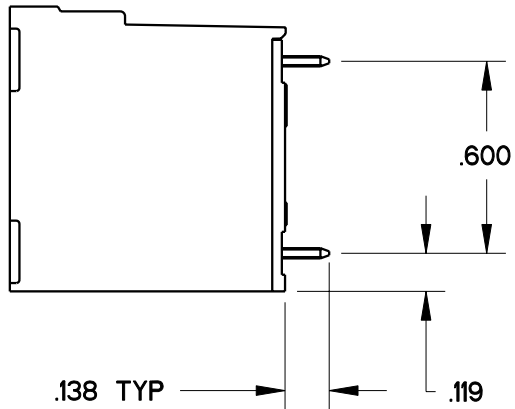
$$L = (\text{NUM OF POS} \times .150) + .039$$



HORIZONTAL



VERTICAL



.138 TYP

.119

.138 TYP

.311 TYP

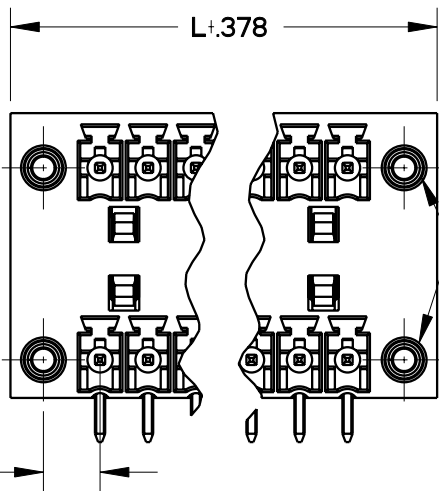
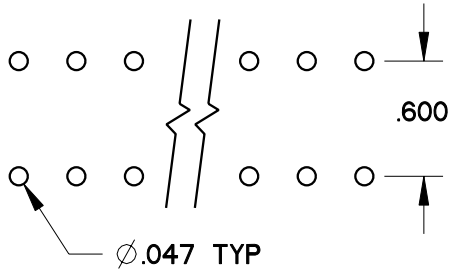
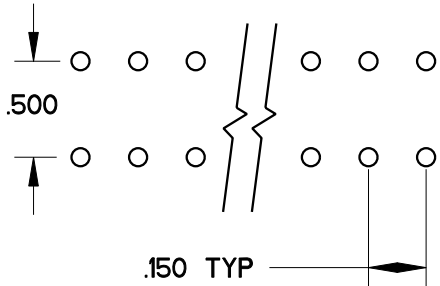
.150 TYP

.500 TYP

PRINTED CIRCUIT BOARD CONFIGURATION

HORIZONTAL

VERTICAL



M2.5 INSERTS

.177

SIZE

DWG NO.

REV

A

ELVA04100

-

CODE: 58982

SCALE: NONE

SHEET 2 OF 2

RECOMMENDED PCB THICKNESS: .062±.008