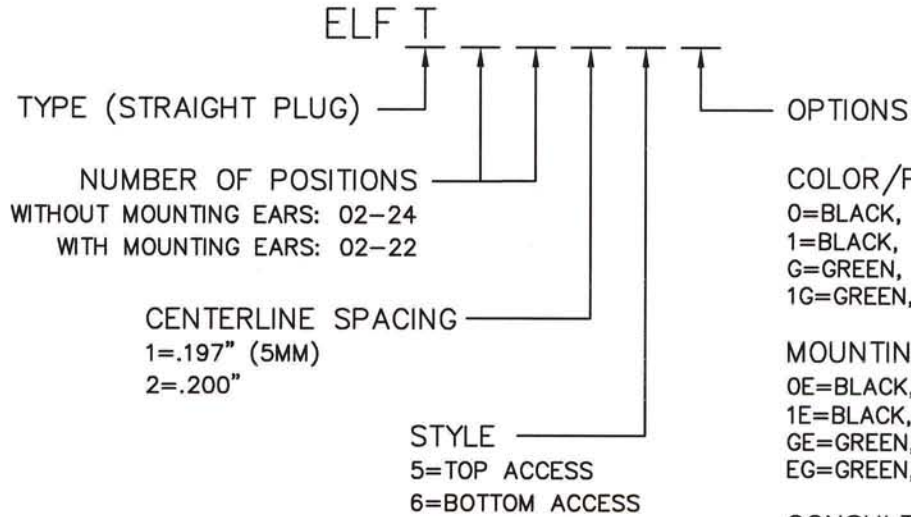


# ELFT SERIES PART NUMBERING SCHEME

REV	ECN	APPD
-	3600	JEC 12/11/98
A	4686	JN 12/28/05



COLOR/PLATING  
 0=BLACK, TIN (STANDARD)  
 1=BLACK, SELECTIVE GOLD  
 G=GREEN, TIN  
 1G=GREEN, SEL. GOLD

MOUNTING EARS  
 OE=BLACK, TIN  
 1E=BLACK, SEL. GOLD  
 GE=GREEN, TIN  
 EG=GREEN, SEL. GOLD

CONSULT PCD FOR PART NO. AND AVAILABILITY OF FOLLOWING OPTIONS:  
 \* CUSTOM COLORS  
 \* CUSTOM MARKING  
 \* CUSTOM KEYING  
 \* SELECTIVE CONTACT LOADING

**RU**  
RATINGS

CURRENT - 15A  
 VOLTAGE - 300V  
 U.L. FILE NO. E83421

**SP**  
RATINGS

CURRENT - 15A  
 VOLTAGE - 300V  
 CSA FILE NO. LR69703

DIN VDE 0627:1986  
 DIN VDE 0110-1:1989  
 EN 60947-1:1991  
 EN 60947-7-1:1992

CURRENT - 15A  
 VOLTAGE - 300 V  
 TUV FILE NO. 20396

INSTALLATION RECOMMENDATIONS:  
 WIRE RANGE: AWG #14-26, STRANDED OR SOLID; AWG #12 STRANDED  
 WIRE STRIP LENGTH: .310"  
 TIGHTENING TORQUE: 7 LB-IN.

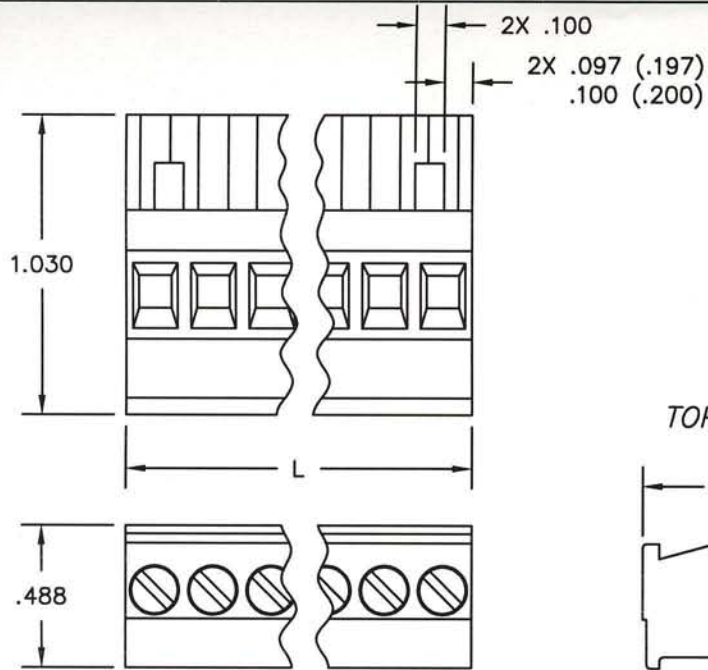
MATERIALS:  
 HOUSING: PPO, UL 94 V-0  
 CONTACT: COPPER ALLOY, OPTIONAL FINISH  
 SCREW: STEEL, NICKEL FINISH  
 WIRE CLAMP: COPPER ALLOY, NICKEL FINISH

MAX OPERATING TEMPERATURE:  
 105°C

DIMENSIONS ANSI Y14.5M UNITS: INCHES ACAD FILE	TOLERANCES .XX ±.01 .XXX ±.005 ANGLES ±2°	PROJECTION 	<b>Amphenol Pcd</b> SPECIFICATION DRAWING		TITLE ELFT SERIES PLUGGABLE TERMINAL BLOCK, STRAIGHT		
			ENGR J. WILKINSON 11/8/98				
ORIGINAL STAMPED IN RED	THIS DOCUMENT CONTAINS PROPRIETARY INFORMATION WHICH IS THE CONFIDENTIAL PROPERTY OF AMPHENOL PCD INC. PEABODY, MA		CHKD A. PATRIE 12/4/98		SIZE	DWG NO.	REV
			APPD J. CAHALY 12/11/98		A	ELFT02150	B
				CODE: 58982	SCALE: NONE	SHEET 1 OF 2	

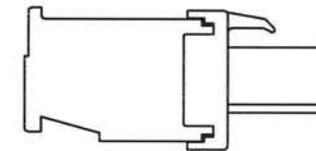
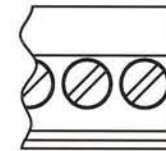
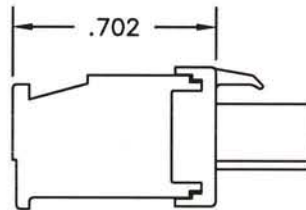
WITHOUT MOUNTING EARS

L=NUM OF POS X CL SPACING



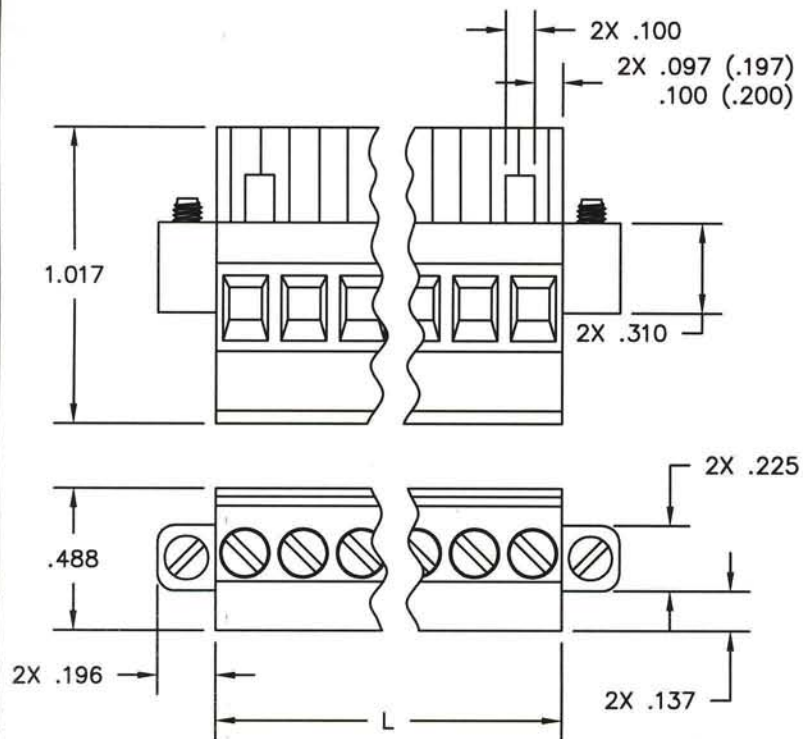
TOP ACCESS

BOTTOM ACCESS



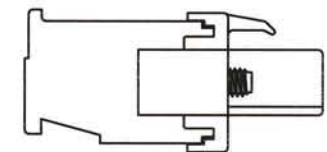
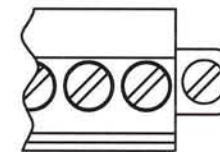
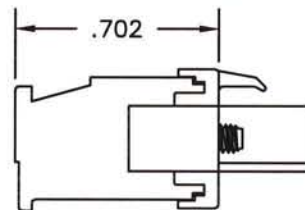
WITH MOUNTING EARS

L=NUM OF POS X CL SPACING



TOP ACCESS

BOTTOM ACCESS



SIZE	DWG NO.	REV
A	ELFT02150	B
CODE: 58982	SCALE: NONE	SHEET 2 OF 2