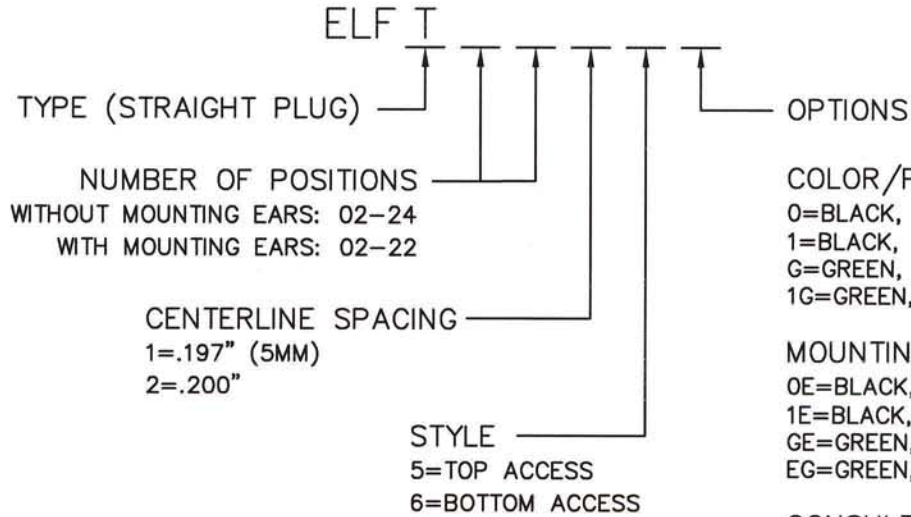


ELFT SERIES PART NUMBERING SCHEME

REV	ECN	APPD
-	3600	JEC 12/11/98
A	4686	JEN 12/28/05



COLOR/PLATING
 0=BLACK, TIN (STANDARD)
 1=BLACK, SELECTIVE GOLD
 G=GREEN, TIN
 1G=GREEN, SEL. GOLD

MOUNTING EARS
 OE=BLACK, TIN
 1E=BLACK, SEL. GOLD
 GE=GREEN, TIN
 EG=GREEN, SEL. GOLD

CONSULT PCD FOR PART NO. AND AVAILABILITY OF FOLLOWING OPTIONS:
 * CUSTOM COLORS
 * CUSTOM MARKING
 * CUSTOM KEYING
 * SELECTIVE CONTACT LOADING

RATINGS

CURRENT - 15A
 VOLTAGE - 300V
 U.L. FILE NO. E83421

RATINGS

CURRENT - 15A
 VOLTAGE - 300V
 CSA FILE NO. LR69703

DIN VDE 0627:1986
 DIN VDE 0110-1:1989
 EN 60947-1:1991
 EN 60947-7-1:1992

CURRENT - 15A
 VOLTAGE - 300 V
 TUV FILE NO. 20396

INSTALLATION RECOMMENDATIONS:
 WIRE RANGE: AWG #14-26, STRANDED OR SOLID; AWG #12 STRANDED
 WIRE STRIP LENGTH: .310"
 TIGHTENING TORQUE: 7 LB-IN.

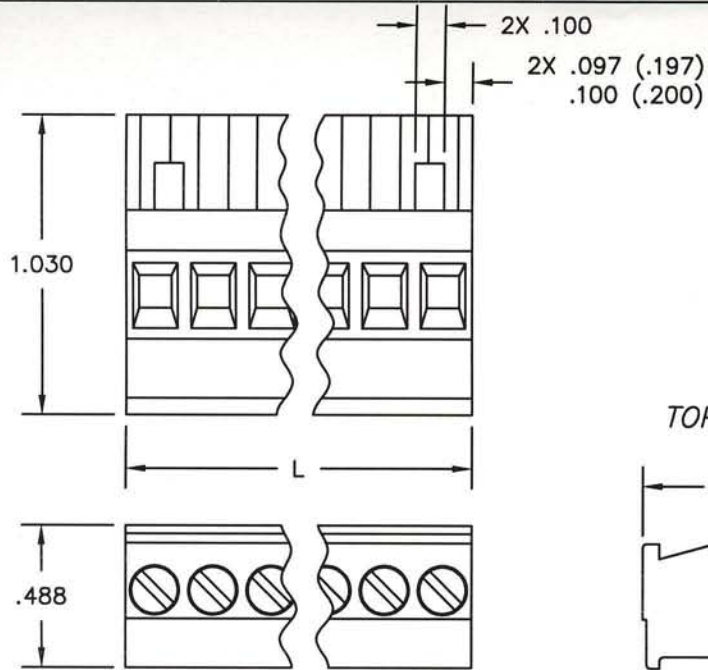
MATERIALS:
 HOUSING: PPO, UL 94 V-0
 CONTACT: COPPER ALLOY, OPTIONAL FINISH
 SCREW: STEEL, NICKEL FINISH
 WIRE CLAMP: COPPER ALLOY, NICKEL FINISH

MAX OPERATING TEMPERATURE: 105°C

DIMENSIONS ANSI Y14.5M UNITS: INCHES ACAD FILE	TOLERANCES .XX ±.01 .XXX ±.005 ANGLES ±2°	PROJECTION 	<h2 style="margin: 0;">Amphenol Pcd</h2> <p style="margin: 0;">SPECIFICATION DRAWING</p> <hr/> ENGR J. WILKINSON 11/8/98	TITLE <h2 style="margin: 0;">ELFT SERIES</h2> <h3 style="margin: 0;">PLUGGABLE TERMINAL BLOCK, STRAIGHT</h3>		
ORIGINAL STAMPED IN RED	THIS DOCUMENT CONTAINS PROPRIETARY INFORMATION WHICH IS THE CONFIDENTIAL PROPERTY OF AMPHENOL PCD INC. PEABODY, MA		CHKD A. PATRIE 12/4/98	SIZE A	DWG NO. ELFT02150	REV B
			APPD J. CAHALY 12/11/98	CODE: 58982	SCALE: NONE	SHEET 1 OF 2

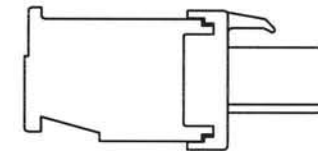
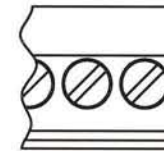
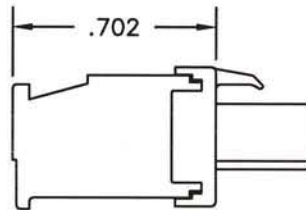
WITHOUT MOUNTING EARS

L=NUM OF POS X CL SPACING



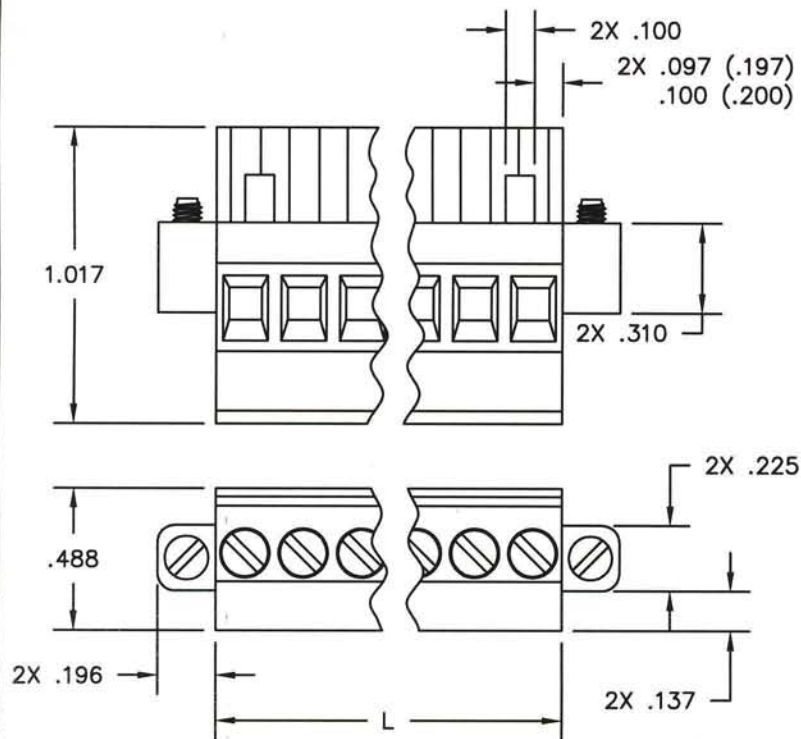
TOP ACCESS

BOTTOM ACCESS



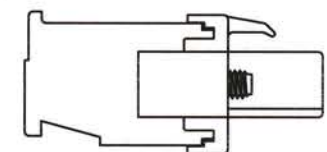
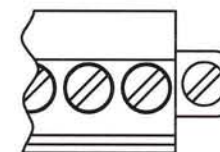
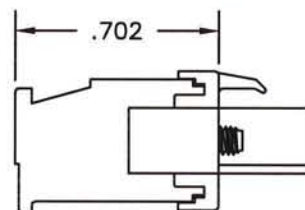
WITH MOUNTING EARS

L=NUM OF POS X CL SPACING



TOP ACCESS

BOTTOM ACCESS



SIZE	DWG NO.	REV
A	ELFT02150	B
CODE: 58982	SCALE: NONE	SHEET 2 OF 2