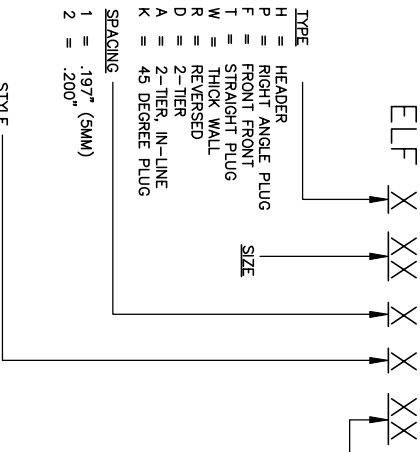
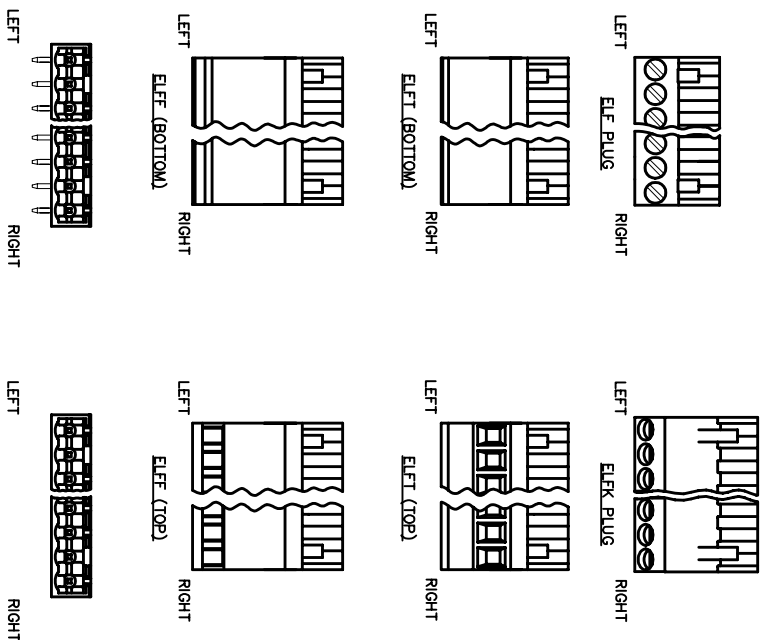


ELF SERIES PART NUMBERING



- TYPE**
- H = HEADER
 - P = RIGHT ANGLE PLUG
 - F = FRONT FRONT
 - T = STRAIGHT PLUG
 - W = THICK WALL
 - R = REVERSED
 - D = 2-TIER
 - A = 45 DEGREE PLUG
- SPACING**
- 1 = .197" (5MM)
 - 2 = .200"
- STYLE**
- 1 = STANDARD
 - 3 = FRONT FRONT TOP
 - 4 = FRONT FRONT BOTTOM
 - 5 = STRAIGHT TOP
 - 6 = STRAIGHT BOTTOM
- PLUG**
- 1 = STANDARD
 - 3 = FRONT FRONT TOP
 - 4 = FRONT FRONT BOTTOM
 - 5 = STRAIGHT TOP
 - 6 = STRAIGHT BOTTOM
- HEADER**
- 0 = RIGHT ANGLE W/ ELECTOR EARS
 - 1 = RIGHT ANGLE CLOSED
 - 2 = RIGHT ANGLE OPEN
 - 3 = RIGHT ANGLE CLOSED, HIGH TEMP *
 - 4 = RIGHT ANGLE OPEN, HIGH TEMP *
 - 5 = VERTICAL CLOSED
 - 6 = VERTICAL OPEN
 - 7 = VERTICAL W/ ELECTOR EARS
 - 8 = VERTICAL CLOSED, HIGH TEMP *
 - 9 = VERTICAL OPEN, HIGH TEMP *

- 0 = STANDARD
- 1 = SELECTIVE GOLD PLATING
- A = RIGHT TO LEFT HORIZ. MARKING
- 1A = RIGHT TO LEFT HORIZ. MRKG. SEL. GOLD PLATING
- B = NO LOGO
- G = GREEN, STANDARD PLATING
- 1G = GREEN, SEL. GOLD PLATING
- OT = THIN WALL, BLACK, STANDARD PLATING
- 1T = THIN WALL, BLACK, SEL. GOLD PLATING
- TC = THIN WALL, GREEN, STANDARD PLATING
- OT = THIN WALL, GREEN, SEL. GOLD PLATING
- M = LEFT TO RIGHT HORIZ. MRKG. STANDARD PLATING
- 1M = LEFT TO RIGHT HORIZ. MRKG. SEL. GOLD PLATING
- 1W = LEFT TO RT HORIZ MRKG. GREEN, STANDARD PLATING
- 1W = LEFT TO RT HORIZ MRKG. GREEN, SEL. GOLD PLATING
- AG = RT TO LEFT HORIZ. MRKG. GREEN, STANDARD PLATING
- 1AG = RT TO LEFT HORIZ. MRKG. GREEN, SEL. GOLD PLATING
- GA = RT TO LEFT HORIZ. MRKG. WITH EARS, STANDARD PLATING
- 1GA = RT TO LEFT HORIZ. MRKG. WITH EARS, SEL. GOLD PLATING
- EA = RIGHT TO LEFT HORIZ. MRKG. WITH EARS, STANDARD PLATING
- 1EA = RIGHT TO LEFT HORIZ. MRKG. WITH EARS, SEL. GOLD PLATING
- V = PANEL MOUNT EARS, STANDARD PLATING
- 1V = PANEL MOUNT EARS, STANDARD PLATING
- 1E = EARS, SEL. GOLD PLATING
- ES = EARS, NO INSERTS/SCREWS, STANDARD PLATING
- 1ES = EARS, NO INSERTS/SCREWS, SEL. GOLD PLATING
- SE = EARS, NO INSERTS/SCREWS, SEL. GOLD PLATING
- GE = GREEN EARS, STANDARD PLATING
- 1GE = GREEN EARS, SEL. GOLD PLATING
- EG = GREEN EARS, SEL. GOLD PLATING
- EE = FLUSH MOUNTING EARS, STANDARD PLATING
- 1EE = FLUSH MOUNTING EARS, SEL. GOLD PLATING
- GEE = FLUSH MOUNTING EARS, GREEN, STANDARD PLATING
- 1GEE = FLUSH MOUNTING EARS, GREEN, SEL. GOLD PLATING
- EM = LEFT TO RT HORIZ MRKG. WITH EARS, STANDARD PLATING
- 1EM = LEFT TO RT HORIZ MRKG. WITH EARS, SEL. GOLD PLATING
- ME = LEFT TO RT HORIZ MRKG. WITH EARS, SEL. GOLD PLATING
- LE = LEFT TO RIGHT MARKING, GREEN, EARS
- 1LE = LEFT TO RIGHT MARKING, GREEN, EARS SEL. GOLD PLATING
- RE = RIGHT TO LEFT MARKING, GREEN, EARS
- 1RE = RIGHT TO LEFT MARKING, GREEN, EARS SEL. GOLD PLATING
- EL = RIGHT TO LEFT MARKING, GREEN, EARS, SEL. GOLD PLATING
- 1EL = RIGHT TO LEFT MARKING, GREEN, EARS, SEL. GOLD PLATING
- NG = STANTY, BLACK - NON-MOSTURIZED
- 1NG = STANTY, GREEN - NON-MOSTURIZED
- U = RIGHT TO LEFT UPSIDE DOWN MARKING
- 1U = RIGHT TO LEFT UPSIDE DOWN MARKING
- Cm = CSI SPECIAL MARKING (# TO BE DETERMINED)
- Sn = SPECIAL (# TO BE DETERMINED)
- JM = HEADER WITH ELECTOR EARS, MODICON SPECIAL
- MM = MODICON GRAY, MARKED LEFT TO RIGHT
- L = L-R UPSIDE DOWN MARKING, GREEN
- 1L = L-R UPSIDE DOWN MARKING, SEL. GOLD PLATING
- 1L = L-R UPSIDE DOWN MARKING, SEL. GOLD PLATING, GREEN
- 1L = L-R UPSIDE DOWN MARKING, SEL. GOLD PLATING, GREEN
- 1L = L-R UPSIDE DOWN MARKING, SEL. GOLD PLATING, GREEN



ASSEMBLY PATTERNS

REV	EON	DESCRIPTION	APP'D
U	3251	ADD MOMENTUM DESIGNATIONS	JEC 5/28/98
V	3334	ADD ELFK & ELFH W/ ELECTOR EARS	JEC 6/8/98
W	3637	ADD L-R UPSIDE DOWN MARKING	JEC 1/22/99
X	3622	ADDED HIGH TEMP MATERIAL	JEC 8/12/99
Y	4169	ADDED FLUSH MOUNTING EARS	IQ 11/3/00
Z	4292	ADDED RIGHT ANG W/ ELECT EARS	

DIMENSIONS ANSI Y14.5M UNITS: INCHES ACAD FILE	TOLERANCES .XX ± .XXX ± ANGLES ±2°	PROJECTION 	REFERENCE SPECIFICATION PS-005		TITLE ELF SERIES PART NUMBERING SYSTEM
			ENGR G. WILLIAMS III 4/25/94	CHKD J. WILKINSON 8/11/99	
ORIGINAL NOT FOR CUSTOMER DISTRIBUTION	THIS DOCUMENT CONTAINS PROPRIETARY INFORMATION WHICH IS THE CONFIDENTIAL PROPERTY OF PCD, INC. P#AB0D1, MA, USA			APP'D J. CAHALY 4/28/94	REV Z
SIZE B	DWG NO. ELF000001	SCALE: NONE	SHEET 1 OF 1		