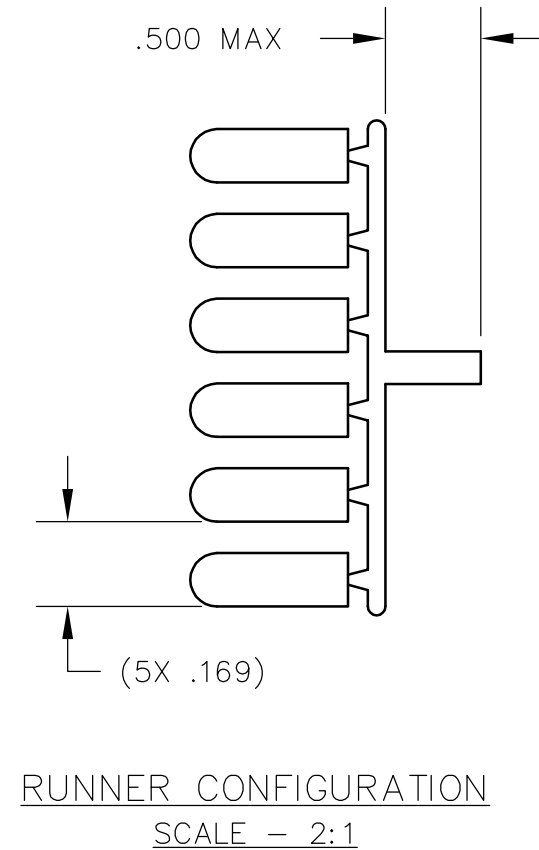
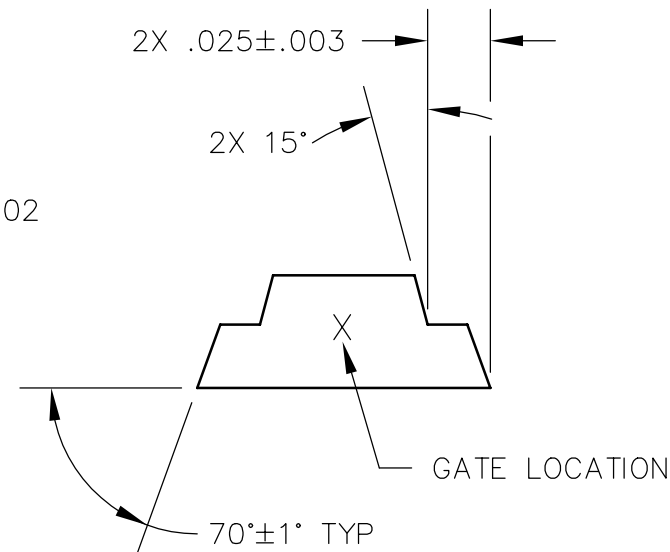
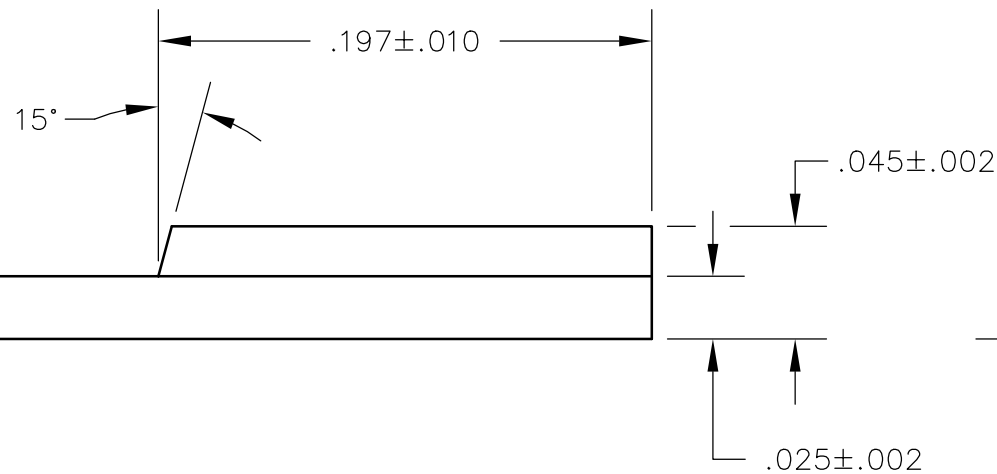
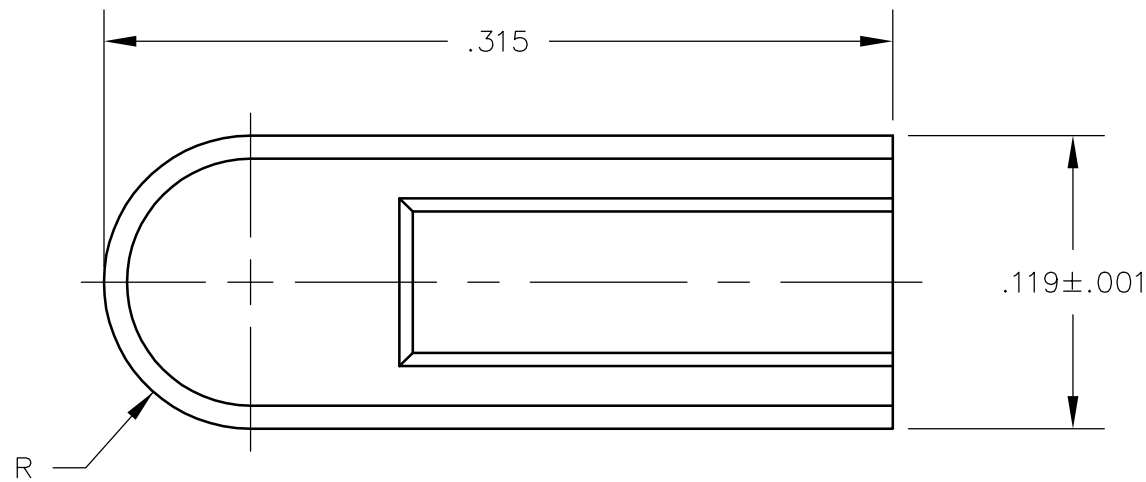


REV	ECN	DESCRIPTION	APP'D
B	2336	UPDATE FORMAT; P/N PREFIX 220- TO 300-; REM CRITICAL ATTRIB.	AP 11/23/94
C	2416	.450 MAX TO .500 MAX	



NOTES:

1. MATERIAL - NYLON TYPE 6/6; VYDYNE 20M.
2. FLASH .002 X .010 MAX.
3. KNOCKOUT MARKS FLUSH TO .010 MAX DP.
4. SINK .010 MAX.
5. INSERTION FORCE INTO P/N 220800240  
2 - 10 LBS.

PART NO.	COLOR
300800800	YELLOW
300800805	WHITE

DIMENSIONS ANSI Y14.5M UNITS: INCHES CRITICAL: ◆	TOLERANCES .XX ± .XXX ±.005 ANGLES ±2°	PROJECTION 	REFERENCE SPECIFICATION DRWN M. CALLA 5/12/93			TITLE ELA KEY TREE OF SIX	
			ENGR M. CALLA 5/18/93			SIZE A	DWG NO. 300800800
ORIGINAL NOT FOR CUSTOMER DISTRIBUTION	THIS DOCUMENT CONTAINS PROPRIETARY INFORMATION WHICH IS THE CONFIDENTIAL PROPERTY OF PCD, INC. PEABODY, MA, USA		APPD D. SWAFFIELD 5/18/93		CODE: 58982	SCALE: 10X	SHEET 1 OF 1