

# AZ852

## MICROMINIATURE POLARIZED RELAY

### FEATURES

- Conforms to IEC60950/UL1950/EN60950 spacing and high breakdown voltage  
Clearance: 1.0 mm (between coil and contacts)  
Creepage: 1.6 mm (between coil and contacts)  
Basic Insulation: 150 V Working Voltage, Pollution Degree 2
- Monostable and bistable (latching) coil versions available
- High dielectric and surge voltage:  
2.5 KV surge (per Bellcore TA-NWT-001089)  
1.5 KV surge (per FCC Part 68)  
1,000 Vrms, open contacts
- Low power consumption: 64 mW pickup
- Stable contact resistance for low level signal switching
- Epoxy sealed for automatic wave soldering and cleaning
- UL file E43203; CSA file 212940
- All plastics meet UL94 V-0, 30 min. oxygen index



### CONTACTS

<b>Arrangement</b>	DPDT (2 Form C) Bifurcated crossbar contacts
<b>Ratings</b>	Resistive load: Max. switched power: 60 W or 62.5 VA Max. switched current: 2.0 A Max. switched voltage: 220 VDC or 250 VAC
<b>Rated Load UL/CSA</b>	0.5 A at 125 VAC 2.0 A at 30 VDC 0.3 A at 110 VDC
<b>Material</b>	Silver alloy; gold clad
<b>Resistance</b>	< 75 milliohms initially at 6 V, 1 A

### COIL (Polarized)

<b>Power At Pickup Voltage (typical)</b>	64 mW - Sensitive coils 79 mW (3-12 VDC) - Standard coils 130 mW (24 VDC) - Standard coils
<b>Max. Continuous Dissipation</b>	1.0 W at 20°C (68°F) 0.78 W at 40°C (104°F)
<b>Temperature Rise</b>	At nominal coil voltage 18°C (32°F) (3-12 VDC) 25°C (45°F) (24 VDC)
<b>Temperature</b>	Max. 115°C (239°F)

### NOTES

1. All values at 20°C (68°F).
2. Relay may pull in with less than "Must Operate" value.
3. Relay has fixed coil polarity.
4. Specifications subject to change without notice.

### GENERAL DATA

<b>Life Expectancy</b> <b>Mechanical</b> <b>Electrical</b>	Minimum operations 1 x 10 <sup>8</sup> at 3Hz 1 x 10 <sup>5</sup> at 0.5 A, 125 VAC, Res. 2 x 10 <sup>5</sup> at 1.0 A, 30 VDC, Res.
<b>Operate Time (typical)</b>	3 ms at nominal coil voltage
<b>Release Time (typical)</b>	3 ms at nominal coil voltage (with no coil suppression)
<b>Bounce (typical)</b>	At 10 mA contact current 1 ms at operate or release
<b>Capacitance</b>	< 1 pF at 10 KHz—open contacts < 1 pF at 10 KHz—adjacent contact sets
<b>Dielectric Strength (at sea level)</b>	See table
<b>Dropout</b>	Greater than 10% of nominal coil voltage
<b>Insulation Resistance</b>	10 <sup>9</sup> ohms min. at 25°C, 500 VDC, 50% RH
<b>Ambient Temperature Operating Storage</b>	At nominal coil voltage -40°C (-40°F) to 85°C (185°F) -40°C (-40°F) to 115°C (239°F)
<b>Vibration</b>	Operational, 20 g, 10-55 Hz Non-destructive, 30 g, 10-55 Hz
<b>Shock</b>	Operational, 50 g min., 11 ms Non-destructive, 100 g min., 11 ms
<b>Max. Solder Temp. Temp./Time</b>	350°C (662°F) for 3 seconds 260°C (500°F) for 10 seconds
<b>Max. Solvent Temp.</b>	80°C (176°F)
<b>Max. Immersion Time</b>	30 seconds
<b>Weight</b>	0.8 grams
<b>Enclosure</b>	P.B.T. polyester
<b>Terminals</b>	Tinned copper alloy, P.C.



**AMERICAN ZETTLER, INC.**

[www.azettler.com](http://www.azettler.com)

75 COLUMBIA • ALISO VIEJO, CA 92656 • PHONE: (949) 831-5000 • FAX: (949) 831-8642 • E-MAIL: SALES@AZETTLER.COM

6/23/04W

# AZ852

## RELAY ORDERING DATA

NON-LATCHING VERSION - STANDARD				ORDER NUMBER		
Nominal Coil VDC	Max. Continuous VDC	Coil Resistance $\pm 10\%$	Must Operate VDC	THT	SMT*	SMTss*
1.5	2.25	16.1	1.13	AZ852-1.5	AZ852S-1.5	AZ852S1-1.5
3	4.5	64.3	2.25	AZ852-3	AZ852S-3	AZ852S1-3
4.5	6.75	145	3.38	AZ852-4.5	AZ852S-4.5	AZ852S1-4.5
6	9	257	4.5	AZ852-6	AZ852S-6	AZ852S1-6
9	13.5	579	6.75	AZ852-9	AZ852S-9	AZ852S1-9
12	18	1028	9.00	AZ852-12	AZ852S-12	AZ852S1-12
24	36	2504	18.00	AZ852-24	AZ852S-24	AZ852S1-24

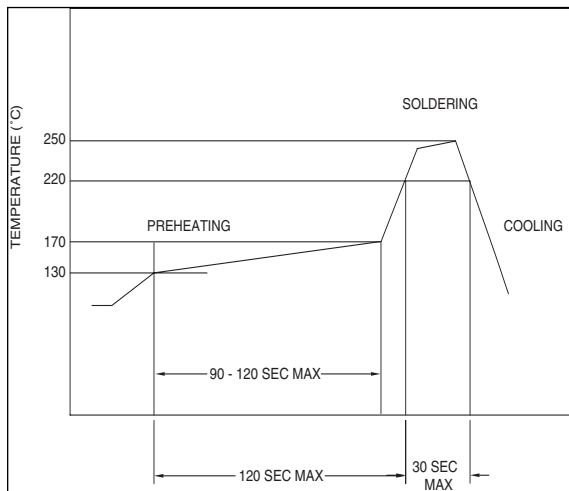
NON-LATCHING VERSION - SENSITIVE				ORDER NUMBER		
Nominal Coil VDC	Max. Continuous VDC	Coil Resistance $\pm 10\%$	Must Operate VDC	THT	SMT*	SMTss*
3	4.5	90	2.25	AZ852-3S	AZ852S-3S	AZ852S1-3S
4.5	6.75	203	3.38	AZ852-4.5S	AZ852S-4.5S	AZ852S1-4.5S
9	13.5	810	6.75	AZ852-9S	AZ852S-9S	AZ852S1-9S
12	18	1440	9.00	AZ852-12S	AZ852S-12S	AZ852S1-12S

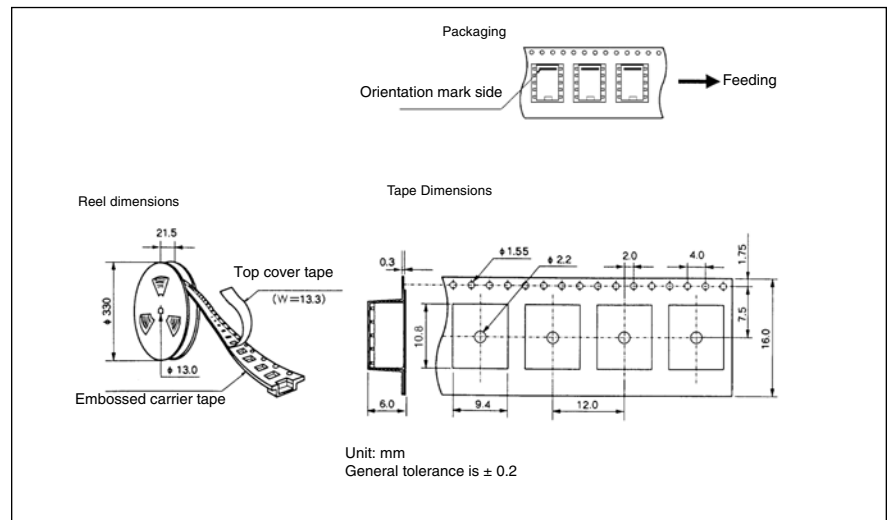
LATCHING VERSION				ORDER NUMBER		
Nominal Coil VDC	Max. Continuous VDC	Coil Resistance $\pm 10\%$	Must Operate VDC	THT	SMT*	SMTss*
1.5	2.25	22.5	1.13	AZ852P-1.5	AZ852PS-1.5	AZ852PS1-1.5
3	4.5	90	2.25	AZ852P-3	AZ852PS-3	AZ852PS1-3
4.5	6.75	203	3.38	AZ852P-4.5	AZ852PS-4.5	AZ852PS1-4.5
6	9	360	4.50	AZ852P-6	AZ852PS-6	AZ852PS1-6
9	13.5	810	6.75	AZ852P-9	AZ852PS-9	AZ852PS1-9
12	18	1440	9.00	AZ852P-12	AZ852PS-12	AZ852PS1-12
24	36	4800	18.00	AZ852P-24	AZ852PS-24	AZ852PS1-24

\*Tape and reel available (1K pcs/reel minimum)

### Temperature Profile



### Packaging Specifications



**AMERICAN ZETTLER, INC.**

[www.azettler.com](http://www.azettler.com)

75 COLUMBIA • ALISO VIEJO, CA 92656 • PHONE: (949) 831-5000 • FAX: (949) 831-8642 • E-MAIL: SALES@AZETTLER.COM

6/23/04W

# AZ852

	INITIAL DIELECTRIC STRENGTH (minimum)		SURGE	
	VRMS, 1 min.	Peak (V)	Rise Time ( $\mu$ S)	Decay Time* ( $9\mu$ S) (1/2 peak)
Between open contacts	1,000	1,500	10	160
Between contact sets	1,000	1,500	2	160
Between coil and contacts	1,500	2,500	2	10

\* Decay time measured from beginning of surge.

## Mechanical Data

<p><b>THT</b></p>	<p><b>PC Board Layout</b> (Viewed toward terminals)</p>	<p><b>Wiring Diagram</b></p>
<p><b>SMT</b></p>	<p><b>PC Board Layout</b> (Viewed toward terminals)</p>	<p><b>Wiring Diagram</b></p>
<p><b>SMTss</b></p>	<p><b>PC Board Layout</b> (Viewed toward terminals)</p>	<p><b>Wiring Diagram</b></p>



**AMERICAN ZETTLER, INC.**

[www.azettler.com](http://www.azettler.com)

75 COLUMBIA • ALISO VIEJO, CA 92656 • PHONE: (949) 831-5000 • FAX: (949) 831-8642 • E-MAIL: SALES@AZETTLER.COM

6/23/04W