

Enclosed Motor Disconnect Switch

These enclosed switches can be used locally at the motor.



Catalog Number

Black Handle

Yellow/ Red Handle

	KEM325UL KEM325UL Y/R	KEM340UL KEM340UL Y/R	KEM360UL KEM360UL Y/R	KEM380UL KEM380UL Y/R
No. of Poles	3 (4 pole - KEM425UL Y/R)	3 (4 pole - KEM440UL Y/R)	3 (4 pole - KEM460UL Y/R)	3 (4 pole - KEM480UL Y/R)
General Purpose Current	25A	40A	60A	80A
Maximum Voltage	600V AC	600V AC	600V AC	600V AC
Motor FLA @ 480V AC	17.5A	28A	34A	—
Motor FLA @ 600V AC	11A	18A	27A	47A

Horsepower Rating /HP

	1 Phase	3 Phase	1 Phase	3 Phase	1 Phase	3 Phase	1 Phase	3 Phase
110-120V AC	1	2	2	3	3	5	3	7.5
200V AC	2	5	3	7.5	5	10	7.5	10
208V AC	2	5	3	7.5	5	10	7.5	15
220-240V AC	3	7.5	5	10	5	10	7.5	15
265V AC	3	7.5	5	10	5	10	10	20
277V AC	3	7.5	5	10	7.5	10	10	20
380-415V AC	5	10	7.5	15	10	20	15	25
440-480V AC	7.5	15	10	20	15	25	20	30
550-600V AC	5	10	7.5	15	15	25	25	40

Short Circuit Withstand Rating at 600 V with Max. Fuse Size/Class:

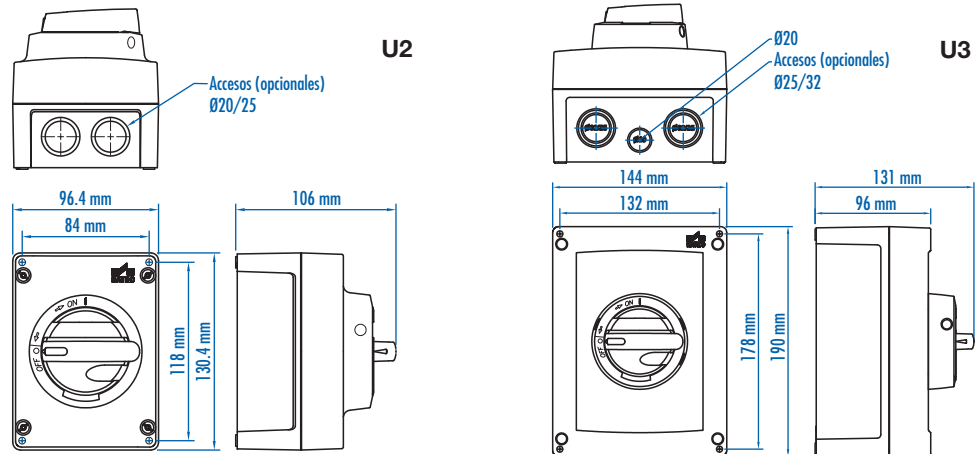
	KEM325UL	KEM340UL	KEM360UL	KEM380UL
K5	50A	50A	60A	150A
RK5	50A	50A	60A (80A @ 480V AC)	150A
RK1	80A	80A	100A	—
J	80A	80A	100A	200A

Terminal Size Acceptability (Cu Conductors only, 75°C)

	KEM325UL	KEM340UL	KEM360UL	KEM380UL
Terminal Size	14-8AWG	14-8AWG	12-4AWG	4-1/0AWG
Terminal Torque	16 lb. in.	16 lb. in.	16 lb. in.	50 lb. in.
Environmental Rating	NEMA Type 4X	NEMA Type 4X	NEMA Type 4X	NEMA Type 4X
Enclosure Type Used	U2	U3	U3	U3

Dimensions

(to convert to inches multiply by 0.03937)



Weight	KEM325UL	KEM340UL	KEM360UL	KEM380UL
	0.49kg (1.08 lb.)	0.72kg (1.587 lb.)	0.773kg (1.698 lb.)	1.021kg (2.249 lb.)

Suitable Accessories

Auxiliary Contacts	KEM325UL	KEM340UL	KEM360UL	KEM380UL
	KU1.V, KU2.V	KU1.V, KU2.V	KU1.V, KU2.V	VKA1.V, VKA2.V

*16A model also available, please contact Altech.

Dimensions (to convert to inches multiply by 0.03937)

Enclosed Motor Disconnect Switch



FUSED



KEM3100L
KEM3100L Y/R
 3 (4 pole - KEM4100L Y/R)
 100A
 600V AC
 -
 54A

KEM3125L
KEM3125L Y/R
 3 (4 pole - KEM4125L Y/R)
 125A
 600V AC
 -
 68A

KEM3150L
KEM3150L Y/R
 3 (4 pole - KEM4150L Y/R)
 150A
 600V AC
 -
 83A

KKVM332, KKVM332CC
KKVM332 Y/R, KKVM332CC Y/R
 3
 30A
 600V AC

1 Phase	3 Phase
3	7.5
7.5	15
7.5	15
10	20
10	20
10	20
15	30
20	40
30	50

1 Phase	3 Phase
5	10
10	20
10	20
15	25
15	25
15	30
20	40
30	50
30	60

1 Phase	3 Phase
7.5	10
10	25
10	25
15	30
20	30
20	30
25	50
30	60
40	75

Cat. No.	Fuse Type
KKVM 332 (Y/R)	10x38, Midget
KKVM 332CC (Y/R)	Class CC

10kA
 150A
 150A
 -
 200A

10kA
 150A
 150A
 -
 200A

10kA
 150A
 150A
 -
 200A

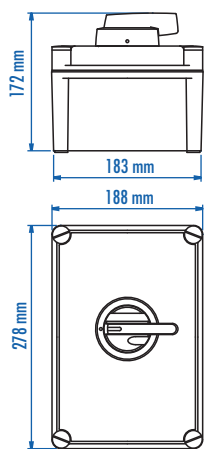
10kA
 50A
 50A
 80A
 80A

4-1/0AWG
 50 lb. in.
 NEMA Type 4X
 MF10

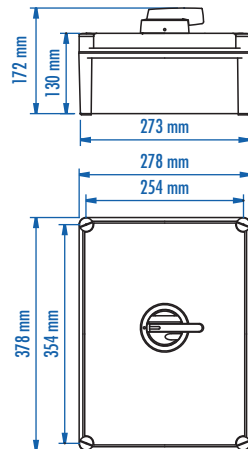
4-1/0AWG
 50 lb. in.
 NEMA Type 4X
 MF10

4-1/0AWG
 50 lb. in.
 NEMA Type 4X
 MF11UL

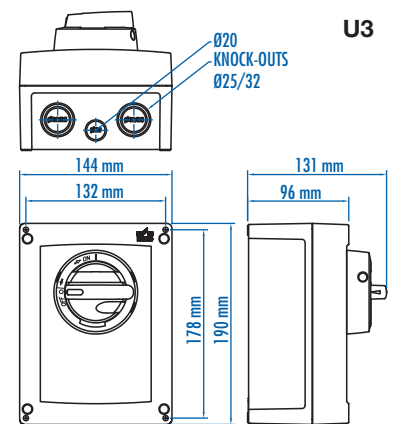
14-8AWG
 16 lb. in.
 NEMA Type 4X
 U3



MF10



MF11UL



U3

1.9051kg (4.2 lb.)

1.9051kg (4.2 lb.)

2.8351kg (6.25 lb.)

0.998kg (2.2 lb.)

VKA1.V, VKA2.V

VKA1.V, VKA2.V

VKA1.V, VKA2.V

KU1.V, KU2.V

Dimensions (to convert to inches multiply by 0.03937)