

ARK-6310-6M01E

ARK-6310-3M04E

Fanless Mini-ITX Embedded Computer System with Intel® Atom™ and Core™2 Duo Solution



Features

- Built-in Intel® Core™2 Duo 1.06 GHz/ Intel® Atom™ N270 1.60 GHz processor
- Comprehensive I/O of Dual Gigabit Ethernet, 4 USB, 3 COM ports, 1 VGA, and audio port
- Wide range of DC input voltage supported: 14 ~ 24 V_{DC}
- Fanless, ultra compact and robust construction, ruggedized handle for mobility
- Anti-vibration cushion design to one 2.5" HDD-bay to ensure maximum reliability
- Bottom access cover design provides easy maintenance to CompactFlash socket
- Built-in mounting bracket for wall or table-mounting, with optional VESA mounting bracket
- Optional WLAN 802.11b/g module



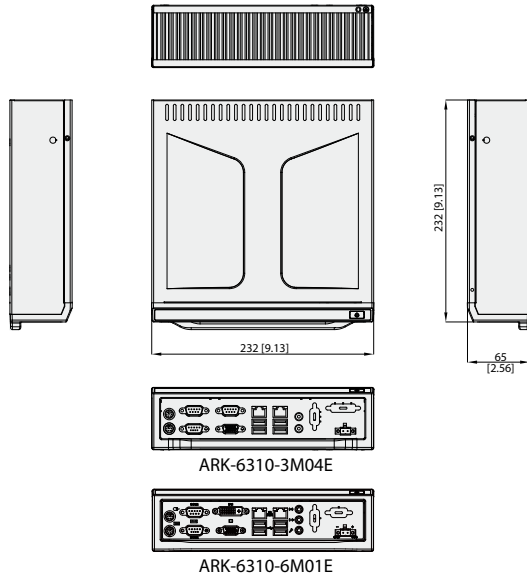
Specifications

Model		ARK-6310-6M01E	ARK-6310-3M04E
Processor System	CPU	Intel Core 2 Duo 1.06 GHz (U7500)	Intel Atom N270 1.60 GHz
	Front Side Bus	533 MHz	533 MHz
	L2 Cache	2 MB	512 KB
	Chipset	Intel GME965 + ICH8M	Intel 945GSE + ICH7M
	BIOS	AMI 16 Mbit SPI	AWARD 16 Mbit, SPI
Memory	Technology	DDR2 533/667 SDRAM	Single Channel DDR2 533 SDRAM
	Max. Capacity	1 x 200-pin SODIMM up to 2 GB	1 x 200-pin SODIMM up to 2 GB
Graphics	Chipset	Intel GME965 GMCH integrated mobile Intel GMA X3100 controller	Intel 945GSE GMCH integrated Graphic Media Accelerator 950
	Display Memory	Shared system memory up to 384 MB	Shared system memory up to 224 MB SDRAM
	LVDS	Single channel 18-bit / 24-bit Dual channel 36-bit / 48-bit	Single channel 18-bit/Dual channel 36-bit LVDS
	DVI	DVI specification 1.0 compliant Chrontel CH7307C SDVO transmitter	None
	Dual Display	CRT + DVI Optional support CRT + LVDS or DVI + LVDS	VGA, LVDS
Ethernet	Interface	10/100/1000 Mbps Gigabit Ethernet	10/100/1000 Mbps
	Controller	Realtek RTL8111B	Dual Realtek RTL8111C Gigabit LAN
	Connector	2 x RJ-45 connectors	2 x RJ-45 connectors
Watchdog Timer	Output	System reset	System reset
	Interval	Programmable 1 ~ 255 seconds	Programmable 1~255 sec.
Storage Interface	2.5" HDD Bay	1 x SATA	1 x SATA
	Compact Flash	-	1 x Type 1/II Socket (on the solder side of the motherboard)
I/O Interface	USB	4	4
	PS/2	2	2
	COM	2	3
	RJ-45	2	2
	Audio	3 (Mic-in, Line-in, Line-out)	2 (Mic-In, Line-Out)
	VGA	1	1
	Extra I/O cutouts	-	1 x LVDS, 1 x COM
Miscellaneous	Overheating Protection	System shuts-down when overheated	System shuts-down when overheated
	LED Indicators	Power, HDD, temperature	Power, HDD and temperature
	Control	Power on/off switch	Power On/Off switch
Software Compatibility	Operating System	Microsoft Windows 2000/ XP Windows XP Embedded	Microsoft Widows 2000, Windows XP and Windows XP Embedded
Power Supply	Output Rating	75 W	75 W
	Input Voltage	14 V _{DC} ~ 24 V _{DC} @ 6.4 A ~ 3.75 A (Max.); 19 V _{DC} @ 4.74 A (Max.)	14 V _{DC} ~ 24 V _{DC} @ 6.4 A ~ 3.75 A (Max.); 19 V _{DC} @ 4.74 A (Max.)
	Output Voltage	+5 V @ 6 A (with +5 Vsb @ 2A Max.); +3.3 V @ 5 A; +12 V @ 2 A; -12 V @ 0.3 A; -5 V @ 0.3 A	+5 V with 5 VSB @ 6 A (+5 VSB @ 2A Max.); +3.3 V @ 5 A; +12 V @ 2 A, -12 V @ 0.3 A; -5 V @ 0.3 A
Environment	Operating Temp.	0 ~ 40° C (32 ~ 104° F)	0 ~ 40° C (32 ~ 104° F)
	Operating Humidity	10 ~ 85% @ 40° C, non-condensing	10 ~ 85% @ 40° C, non-condensing
	Vibration	0.5 Grms (ARK-6310-6M01E)	1 Grms, IEC 60068-2-64, random, 5 ~ 500 Hz, 1 Oct./min, 1 hr/axis
	Altitude	-	0 to 3,048 m (0 ~ 10,000 ft)
Physical Characteristics	Dimensions (W x H x D)	232 x 65 x 232 mm (9.1" x 2.6" x 9.1")	232 x 65 x 232 mm (9.1" x 2.6" x 9.1")
	Net Weight	2.7 kg (6.0 lb)	2.74 kg (6.03 lb)

ARK-6310-6M01E ARK-6310-3M04E

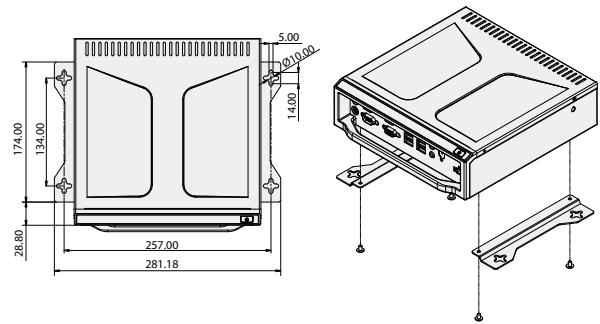
Dimensions

Unit: mm [inch]



Installation

Unit: mm



Ordering Information

Part Number	CPU	VGA	G-LAN	*USB 2.0	COM	Audio	KB/MS
ARK-6310-3M04E	Intel Atom N270 1.6 GHz	1	2	4 - 8	3 - 4	Yes	Yes
ARK-6310-6M01E	Intel ULV C2D 1.06 GHz	1	2	4 - 8	2 - 4	Yes	Yes

Note: Packing accessory kit included with serial cable which supports up to 4 COMs

* Supports up to 8 USB ports via optional cable kit (P/N: 9652631001)

Optional Accessories

External AC-to-DC Adapter and Power Cable

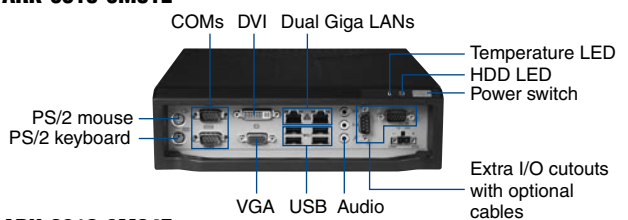
Part Number	Description
1757000222	AC-to-DC adapter, DC 19 V/65 W with Phoenix power plug
1757001377	AC-to-DC adapter, DC 19 V/90 W with Phoenix power plug
1700001947	Power cable 2-pin 180 cm, USA type
1700001948	Power cable 2-pin 180 cm, Europe type
1700001949	Power cable 2-pin 180 cm, UK type
1700002141	Power cable 2-pin 180 cm, Japan type

Accessories

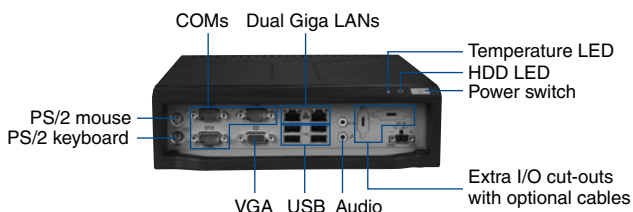
Part Number	Description
989K008732	VESA mounting plate for ARK-6620/6310
ARK-WLAN-USBE	ARK-6 series wireless LAN 802.11 b/g module
9652631001	4 USB cable kit for ARK-6310

Front View

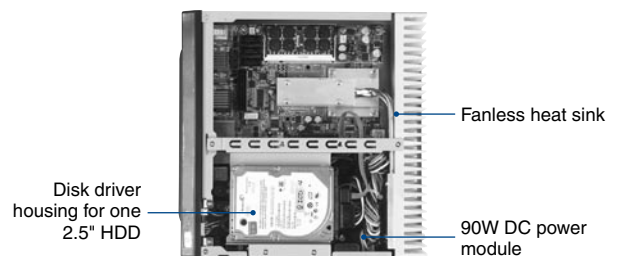
ARK-6310-6M01E



ARK-6310-3M04E



Inside View



Rear View

