

# LED outdoor applications



Xitanium™ LED Power Driver  
12 W/17 W



Xitanium™ LED Power Driver 40 W



Xitanium™ LED Power Driver  
67 W/80 W

## Philips Xitanium™ LED Drivers Gen-1

designed specifically to optimally power Luxeon™ high power LEDs

The constant DC current output provides the long life and optimum operation of high power LEDs. Xitanium™ drivers have an operating life matching that of LEDs. The range consist of a 12 W, 17 W, 40 W, 67 W and 80 W outdoor version. All types have been tested according IP66.

### Description

The 25W dimming driver controls the LEDs by pulsing the LEDs on and off in relation with the input voltage for the driver's light regulation circuit. The input voltage for this light regulation circuit varies from 1 V to 10 V DC: 1 V results in a minimum lighting level (5% LED output) and 10 V in a maximum (100% LED output). The PMW-frequency is 700 Hz ( $\pm 10\%$ ). Dimming does not affect LED life.

Xitanium™ drivers also perfectly operate the Philips LED based systems including:

- The LED Module System: lighting blocks which can be joined in flexible "domino" like arrays to produce creative luminaries and displays.
- LED String: a wire connected string of LEDs for safer, more energy efficient signs and architectural effects Luxeon LEDs from the Lumileds Lighting company are state-of-the-art solid-state lighting devices – the brightest LEDs on the market in a very compact package. Ideal for high-lumen, general lighting.

### New design opportunities

The Xitanium's small, compact size enables you to innovate with new, low-profile fixture designs.

### Wide choice

Extensive product portfolio gives you a wide choice. Portfolio consist of in- and outdoor types with power ratings from 12 to 80 W, including a 25 W for dimming possibilities.

### Excellent reliability

LED Drivers last up to 50,000 hours, to take advantage of the long life of LEDs. They come with the Philips electronic ballast guarantee.

### Low-temperature performance (-40 °C)

So you can be confident in any outdoor application (tested according IP66).

### Hazard-free & universal mains (100-240 V)

All major safety requirements (as defined in CE, UL, ENEC and KEMA) are met, so you can install them in practically any location.

### Improved safety

Xitanium™ LED Drivers generate a limited output voltage and current and also provide isolation for safe operation.

### Typical applications include

- Channel letter/contour lighting
- Architectural lighting
- Retail/theme lighting
- Orientation lighting (path lighting)
- Entertainment lighting
- Emergency and security lighting

### Compliance and approvals

- CE
- UL
- ENEC
- KEMA

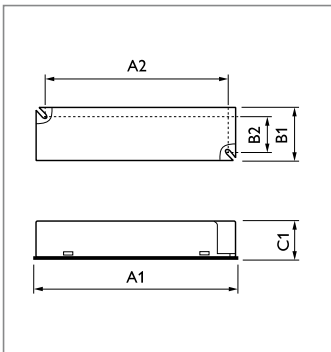
# PHILIPS

sense and simplicity

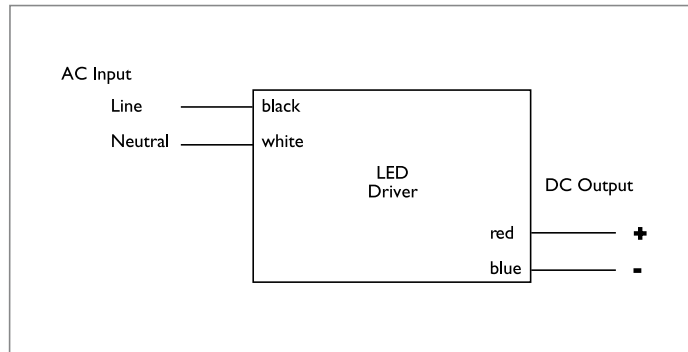
**Quick selection table**

Description	Configuration options	Description	Configuration options
12 W 350 mA (outdoor only)	- 1-8 one-watt Luxeons - max. 3.2 m Philips LED string Red & Amber - max. 3.5 m Philips LED string Blue & Green	40 W 1750 mA (outdoor only)	- 5, 10, 15, 20, 25 or 30 one-watt Luxeons - Philips LED string White max. 4.0 m - 1-24 Philips LED Modules
17 W 700 mA (outdoor only)	- 2, 4, 6, 8, 10 or 12 one-watt Luxeons - 6-up and 12-up Luxeon™ lines, rings or arrays - 1-5 three-watt Luxeons - 1-3 five-watt Luxeons - max. 5.0 m Philips LED string Red & Amber - max. 4.2 m Philips LED string Blue & Green - 1-10 Philips LED Modules	67 W 2800 mA (outdoor only)	- 8, 16, 24, 32, 40 or 48 one-watt Luxeons - 4, 8, 12, 16 or 20 three-watt Luxeons
		80 W 3150 mA (outdoor only)	- 9, 18, 27, 36, 45 or 54 one-watt Luxeons - 5, 10, 15, 20 or 25 three-watt Luxeons

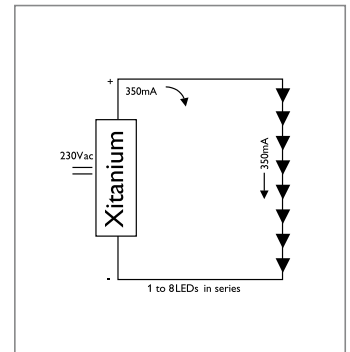
**12W outdoor**



Dimensional drawing

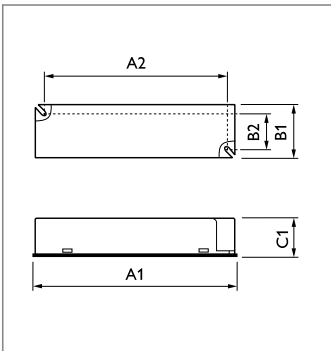


Wiring diagram

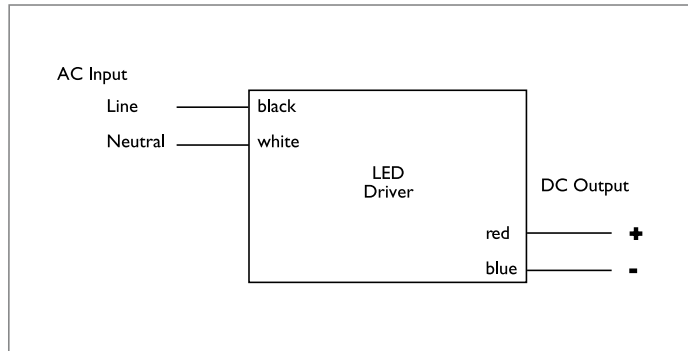


Configuration arrays

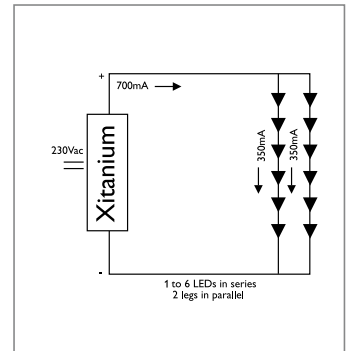
**17W outdoor**



Dimensional drawing

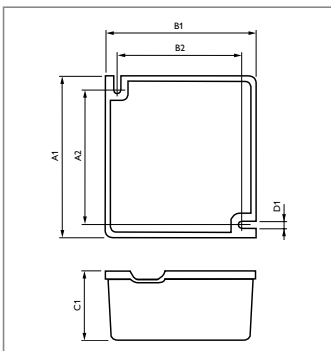


Wiring diagram

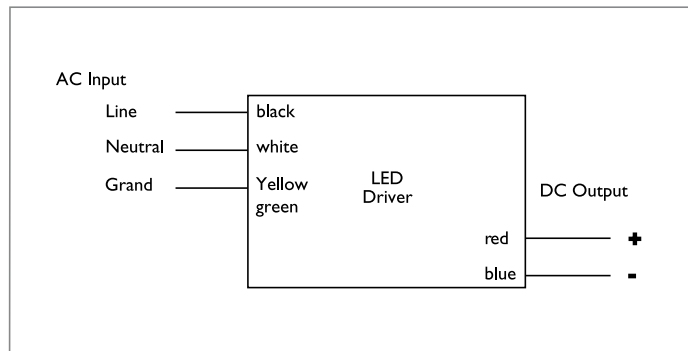


Configuration arrays

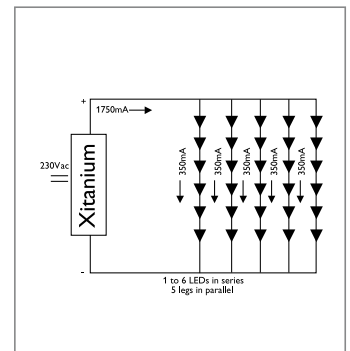
**40W outdoor**



Dimensional drawing

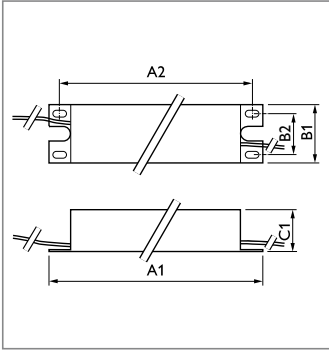


Wiring diagram

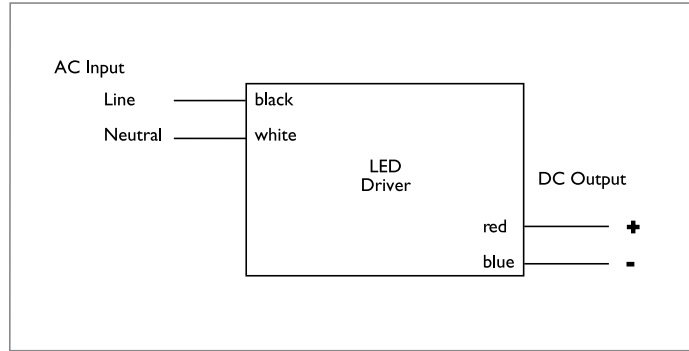


Configuration arrays

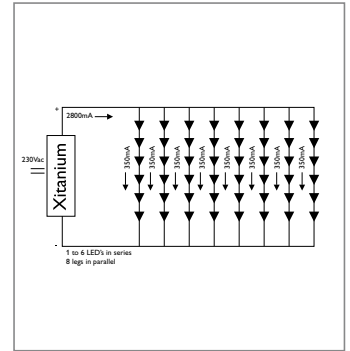
## 67W outdoor



Dimensional drawing

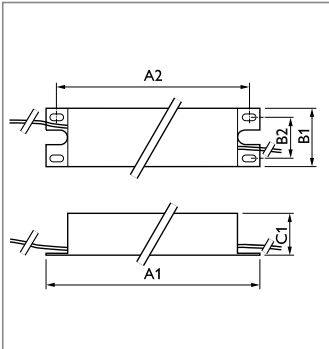


Wiring diagram

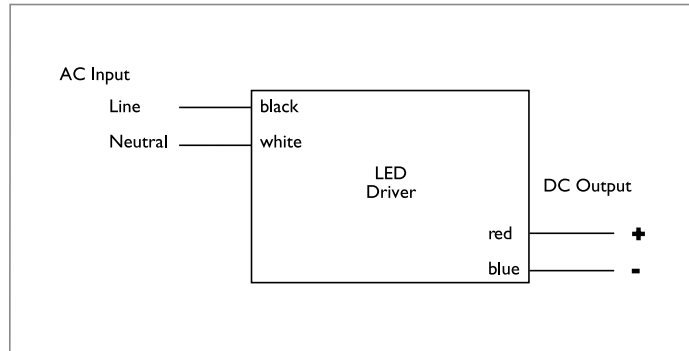


Configuration arrays

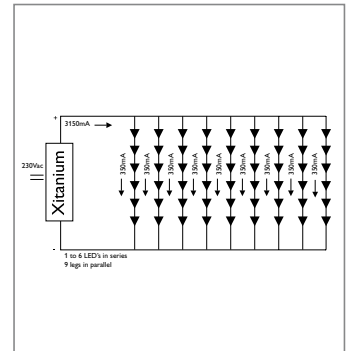
## 80W outdoor



Dimensional drawing



Wiring diagram



Configuration arrays

### Note:

for more detailed information on LED Drivers, LED Modules and LED String ask for specific product data sheets.

## Dimensions

	A1	A2	B1	B2	C1	D1
12W outdoor	132.0	122.4	34.2	24.6	25.0	4.4
17W outdoor	132.0	122.4	34.2	24.6	25.0	4.4
40W outdoor	88.9	76.0	83.0	70.0	38.0	3.8
67W outdoor	240.0	225.0	43.2	30.0	29.5	4.4
80W outdoor	240.0	225.0	43.2	30.0	29.5	4.4

All dimensions are in mm

## Specifications

Description LED driver	Input			Output			Tc max.
	Voltage V	Max. power W	Max. current A	Max. power W	Current mA	Voltage V	
12W outdoor	207 - 264	15.0	0.09	12.0	350 +/- 5%	2.4 - 33.0	85
17W outdoor	207 - 264	21.5	0.10	17.0	700 +/- 5%	5.6 - 24.6	85
40W outdoor	207 - 264	48.0	0.24	40.8	1750 +/- 5%	5.6 - 24.0	85
67W outdoor	207 - 264	85.0	0.40	67.0	2800 +/- 5%	3.6 - 25.0	90
80W outdoor	207 - 264	95.0	0.43	80.0	3150 +/- 5%	3.2 - 25.0	90

## Ordering info

Description LED driver	Box packaging	12NC Order number	EOC
			8711500
12W outdoor	10	9137 006 15882	930453 30
17W outdoor	10	9137 006 15982	930958 30
40W outdoor	12	9137 006 25082	931221 30
67W outdoor	20	9137 007 04582	931207 30
80W outdoor	20	9137 006 07382	931245 30



© 2009 Koninklijke Philips Electronics N.V.

All rights reserved. Reproduction in whole or in part is prohibited without the prior written consent of the copyright owner. The information presented in this document does not form part of any quotation or contract, is believed to be accurate and reliable and may be changed without notice. No liability will be accepted by the publisher for any consequence of its use. Publication thereof does not convey nor imply any license under patent- or other industrial or intellectual property rights.

Document order number: 3222 635 72691  
10/2009

[www.philips.com/xitanium](http://www.philips.com/xitanium)  
[www.philips.com/LED](http://www.philips.com/LED)