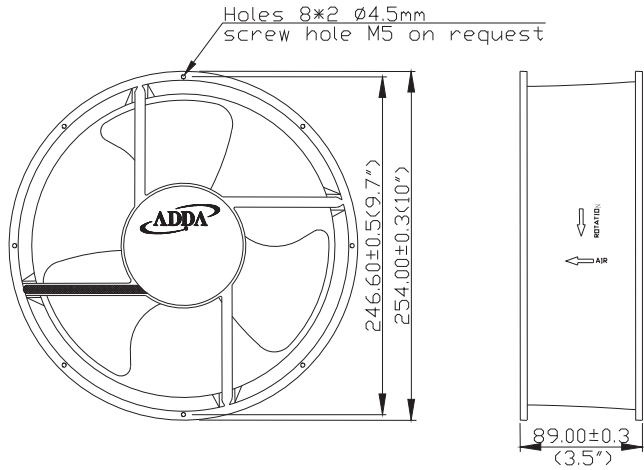


External Dimensions



Frame: Aluminum Alloy
 Impeller: Plastic(UL:94V-0)
 Motor Structure: Capacitor-Run Induction Motor.
 Motor Protection: Thermal Protect.
 Lead wire: UL 1015AWG20
 OPERATING TEMP*: -10°C~70°C
 *: -10°C~60°C for fans with sleeve/ball combination bearings.

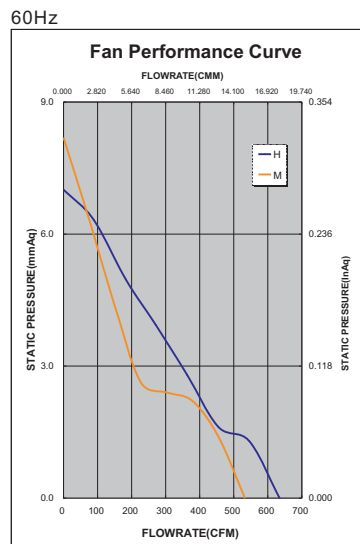
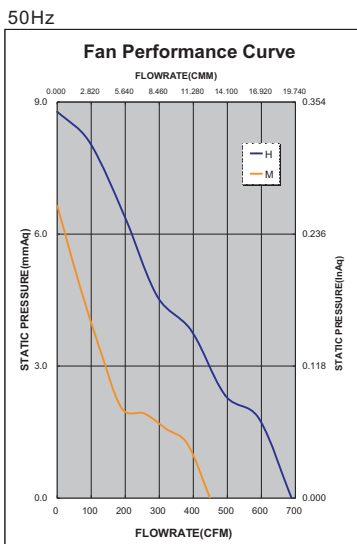
Specifications(Nominal)

*Noise is measured at the distance of one (1) meter from the axis of intake.

Bearing type: ◎=Ball ※=Sleeve ○=1B1S ●=Hypro bearing

Frame size (mm)	Model No.	Bearing System Type	Volt. (VAC)	Freq. (Hz)	Current (A)	Power (W)	Rated Speed (rpm)	Maximum AirFlow (CMM)	Maximum AirFlow (CFM)	Maximum Pressure (InAq)	Maximum Pressure (mmAq)	*Noise Level (dB/A)	Weight (g)
254x89	AK2581HB	◎	115	50/60	0.55/0.62	56.00/67.80	2100/2000	19.244/17.829	680.0/630.0	0.346/0.276	8.788/7.010	66.0/62.0	2000
	AK2582HB		230		0.26/0.30	55.40/62.80							
	AK2581MB	◎	115	50/60	0.22/0.24	24.20/26.50	1350/1600	12.735/14.999	450.0/530.0	0.262/0.322	6.650/8.190	55.6/57.0	
	AK2582MB		230		0.16/0.14	32.20/28.80							

Specifications subject to change without notice.



*Safety approvals

✓	✓		✓	✓