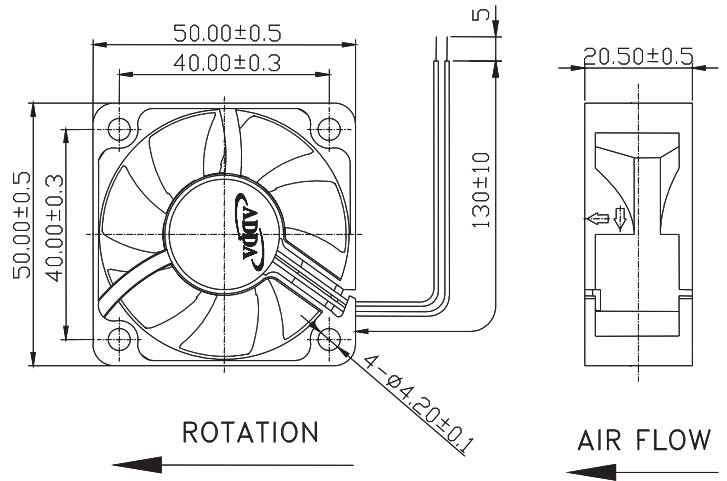




AD5020-7 SERIES



External Dimensions



Frame:Plastic(UL:94V-0)
 Impeller:Plastic(UL:94V-0)
 Bearing:Ball, Sleeve, Hypro bearing
 Lead wire:UL1007AWG26
 VOLTAGE AVAILABLE:12V,24V

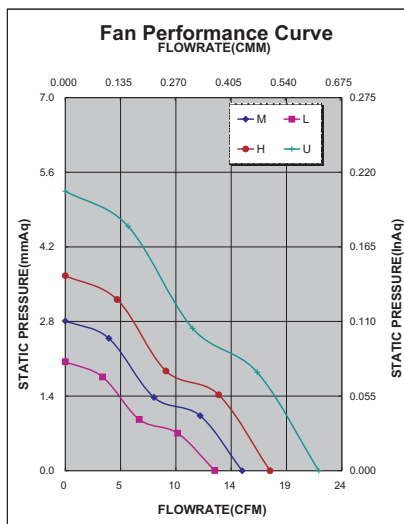
Specifications(Nominal)

*Noise is measured at the distance of one (1) meter from the axis of intake.

Bearing type: ◎=Ball ※=Sleeve ○=1B1S ●=Hypro bearing

Frame size (mm)	Model No.	Bearing System Type	Rated Voltage (VDC)	Real Current (A)	Power (W)	Speed (rpm)	Maximum AirFlow (CMM)	Maximum AirFlow (CFM)	Maximum Pressure (InAq)	Maximum Pressure (mmAq)	*Noise Level (dB/A)	Weight (g)
50x50x20	AD5012LB-C71	◎ ※ ●	12	0.08	0.96	3600	0.340	12.00	0.080	2.00	24.0	31.0
	AD5012MB-C71	◎ ※ ●	12	0.10	1.20	4300	0.424	15.00	0.110	2.75	29.0	
	AD5012HB-C71	◎ ※ ●	12	0.13	1.56	5000	0.478	16.90	0.150	3.75	33.0	
	AD5012UB-C71	◎ ※ ●	12	0.19	2.22	6000	0.622	22.00	0.210	5.25	37.0	
	AD5024LB-C71	◎ ※ ●	24	0.06	1.44	3800	0.388	13.70	0.090	2.00	25.5	
	AD5024MB-C71	◎ ※ ●	24	0.08	1.92	4300	0.438	15.50	0.120	3.00	30.0	
	AD5024HB-C71	◎ ※ ●	24	0.11	2.64	5000	0.506	17.90	0.150	3.75	33.7	
	AD5024UB-C71	◎ ※ ●	24	0.15	3.60	6000	0.617	21.80	0.220	5.50	37.5	

Specifications subject to change without notice.



*Motor protective circuit and third lead wire functions

0	1	2	3	4	6	7	8	9	A	B
	✓	✓	✓							

*Safety approvals

✓	✓		✓	✓