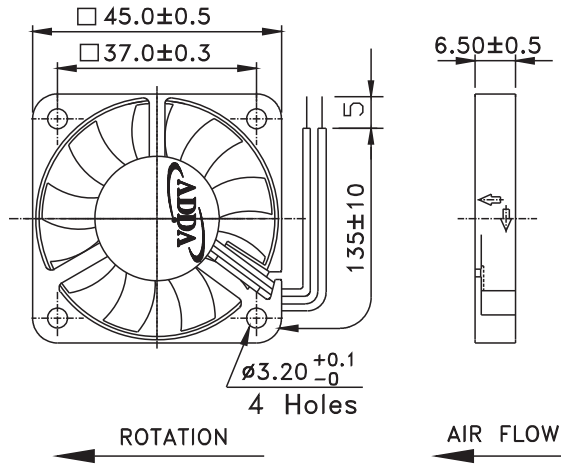




AD4506 SERIES

External Dimensions



Frame:Plastic(UL:94V-0)
 Impeller:Plastic(UL:94V-0)
 Bearing:1B1S, Hypro bearing
 Lead wire:UL1571AWG28
 VOLTAGE AVAILABLE:5V,12V

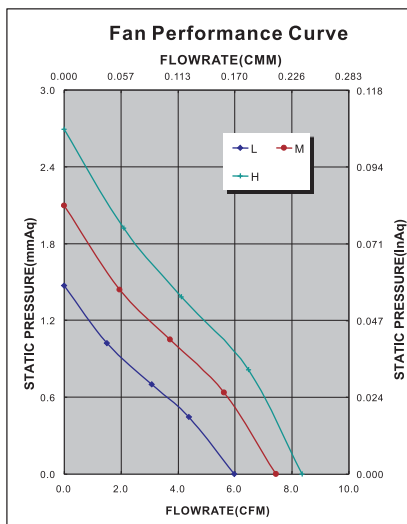
Specifications(Nominal)

*Noise is measured at the distance of one (1) meter from the axis of intake.

Bearing type: ○=Ball※=Sleeve○=1B1S●=Hypro bearing

Frame size (mm)	Model No.	Bearing System Type	Rated Voltage (VDC)	Current (A)	Power (W)	Rated Speed (rpm)	Maximum AirFlow (CMM)	Maximum AirFlow (CFM)	Maximum Pressure (InAq)	Maximum Pressure (mmAq)	*Noise Level (dB/A)	Weight (g)
45x45x06	AD4505LX-K90	○●	5	0.05	0.25	4300	0.175	6.20	0.059	1.48	23.0	11.0
	AD4505MX-K90	○●	5	0.07	0.35	5000	0.201	7.10	0.084	2.10	25.5	
	AD4505HX-K90	○●	5	0.10	0.50	6000	0.260	9.20	0.108	2.69	32.6	
	AD4512LX-K90	○●	12	0.04	0.48	4300	0.175	6.20	0.059	1.48	23.0	
	AD4512MX-K90	○●	12	0.05	0.60	5000	0.204	7.20	0.084	2.10	25.5	
	AD4512HX-K90	○●	12	0.06	0.72	6000	0.260	9.21	0.108	2.69	32.6	

Specifications subject to change without notice.



*Motor protective circuit and third lead wire functions

0	1	2	3	4	6	7	8	9	A	B
✓					✓					

*Safety approvals

				✓