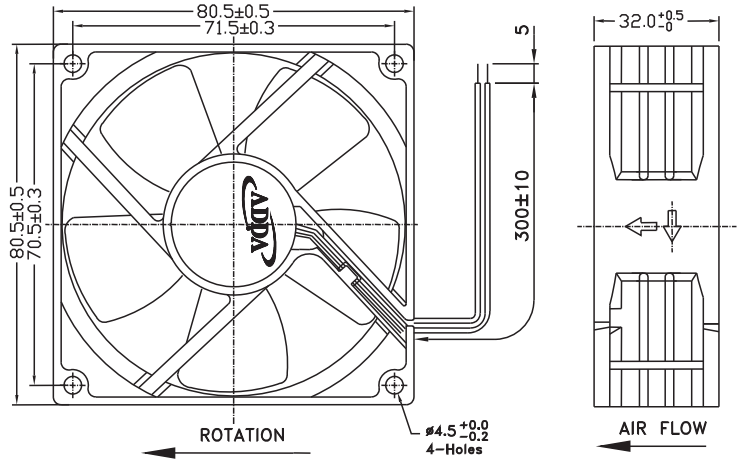




AD8032 SERIES

External Dimensions



Frame: Plastic(UL:94V-0)
 Impeller: Plastic(UL:94V-0)
 Bearing: Ball bearing
 Lead wire: UL1007AWG24
 VOLTAGE AVAILABLE: 12V,24V,48V

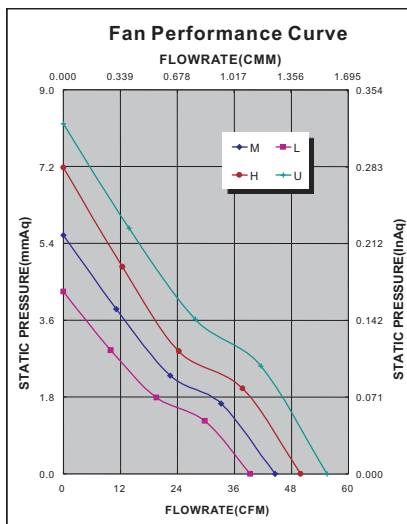
Specifications(Nominal)

*: Noise is measured at the distance of one (1) meter from the axis of intake.

Bearing type: ⊙=Ball ⊛=Sleeve ○=1B1S ●=Hypro bearing

Frame size (mm)	Model No.	Bearing System Type	Rated Voltage (VDC)	Current (A)	Power (W)	Rated Speed (rpm)	Maximum AirFlow (CMM)	Maximum AirFlow (CFM)	Maximum Pressure (InAq)	Maximum Pressure (mmAq)	*Noise Level (dB/A)	Weight (g)
80x80x32	AD0812LB-Y51	⊙	12	0.11	1.32	3000	1.120	39.20	0.170	4.32	33.0	108.0
	AD0812MB-Y51	⊙	12	0.16	1.92	3400	1.274	44.60	0.220	5.59	37.0	
	AD0812HB-Y51	⊙	12	0.19	2.28	3800	1.422	49.80	0.280	7.11	41.0	
	AD0812UB-Y51	⊙	12	0.23	2.76	4200	1.542	54.50	0.291	7.39	43.8	
	AD0824LB-Y51	⊙	24	0.07	1.68	3000	1.120	39.10	0.170	4.32	33.0	
	AD0824MB-Y51	⊙	24	0.10	2.40	3400	1.274	44.60	0.220	5.59	37.0	
	AD0824HB-Y51	⊙	24	0.12	2.88	3800	1.422	49.80	0.280	7.11	41.0	
	AD0824UB-Y51	⊙	24	0.15	3.60	4200	1.542	54.50	0.291	7.39	43.8	
	AD0848LB-Y51	⊙	48	0.06	2.88	3000	1.120	39.20	0.170	4.32	33.0	
	AD0848MB-Y51	⊙	48	0.07	3.36	3400	1.274	44.60	0.220	5.59	37.0	
	AD0848HB-Y51	⊙	48	0.08	3.84	3800	1.422	49.80	0.280	7.11	41.0	
	AD0848UB-Y51	⊙	48	0.11	5.28	4200	1.542	54.50	0.291	7.39	43.8	

Specifications subject to change without notice.



*Motor protective circuit and third lead wire functions

0	1	2	3	4	6	7	8	9	A	B
	✓	✓	✓							

*Safety approvals

✓	✓		✓	✓