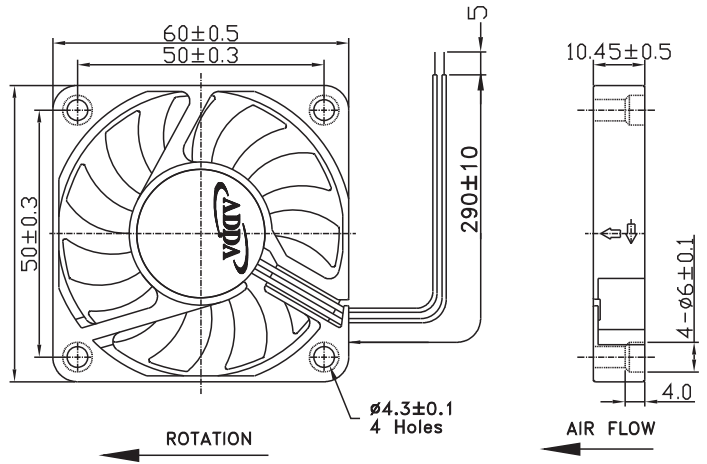




AD6010(11) SERIES

External Dimensions



Frame:Plastic(UL:94V-0)
 Impeller:Plastic(UL:94V-0)
 Bearing:Ball, Sleeve, 1B1S, Hypro bearing
 Lead wire:UL1007AWG26
 VOLTAGE AVAILABLE:5V,12V

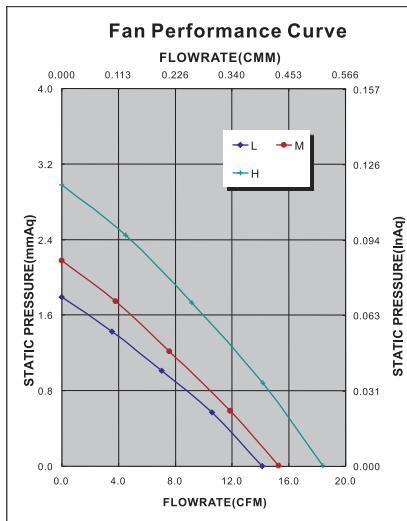
Specifications(Nominal)

*Noise is measured at the distance of one (1) meter from the axis of intake.

Bearing type: ⊙=Ball ⊛=Sleeve ○=1B1S ●=Hypro bearing

Frame size (mm)	Model No.	Bearing System Type	Rated Voltage (VDC)	Current (A)	Power (W)	Rated Speed (rpm)	Maximum AirFlow (CMM)	Maximum AirFlow (CFM)	Maximum Pressure (InAq)	Maximum Pressure (mmAq)	*Noise Level (dB/A)	Weight (g)
60x60x10	AD0605LB-GA0(GL)	⊙ ⊛ ○ ●	5	0.28	1.40	3400	0.411	14.50	0.070	1.78	27.0	
	AD0605MB-GA0(GL)	⊙ ⊛ ○ ●	5	0.33	1.65	4000	0.490	17.30	0.090	2.29	31.7	
	AD0612LB-GA0(GL)	⊙ ⊛ ○ ●	12	0.12	1.44	3400	0.411	14.50	0.070	1.78	27.0	30.0
	AD0612MB-GA0(GL)	⊙ ⊛ ○ ●	12	0.16	1.92	4000	0.430	17.30	0.090	2.29	31.7	
	AD0612HB-GA0(GL)	⊙ ⊛ ○ ●	12	0.25	3.00	4600	0.518	21.00	0.165	4.19	35.8	

Specifications subject to change without notice.



*Motor protective circuit and third lead wire functions

0	1	2	3	4	6	7	8	9	A	B
✓					✓					

*Safety approvals

✓	✓		✓	✓