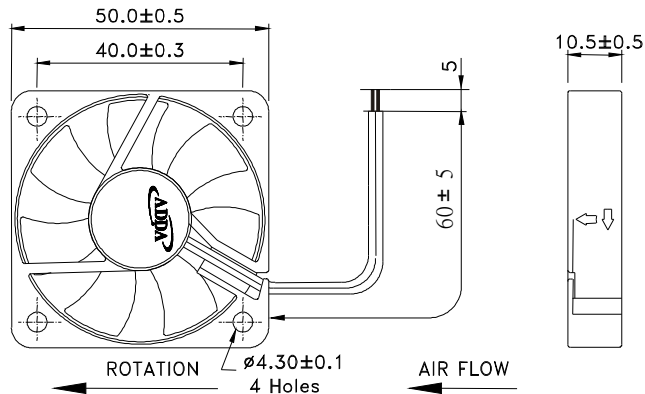


◀ 50X50X10mm Series ▶



Spot cooling, also suitable for small space requirements, laptops PC and notebook, etc.,.

External Dimensions



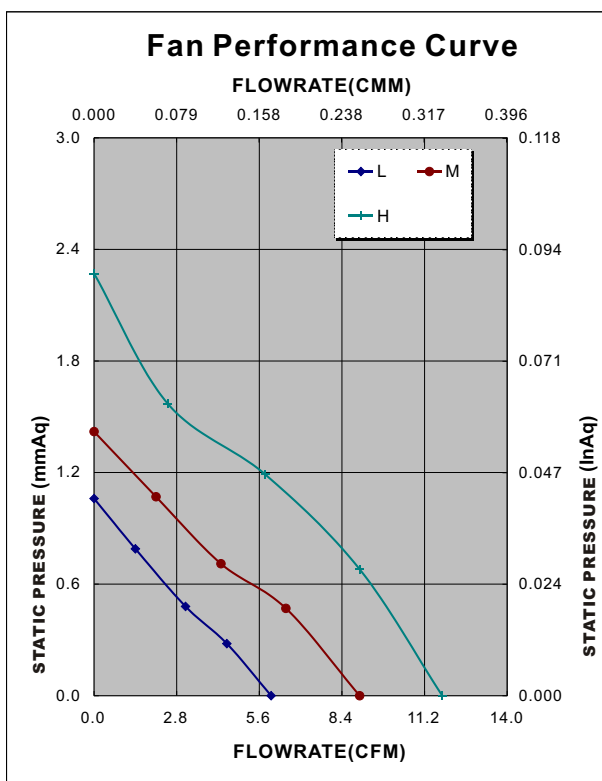
Frame: Plastic(UL:94v-0)
Impeller: Plastic(UL:94v-0)
Bearing: Hydro bearing
Lead wire: UL2468AWG26
OPERATING TEMP*: -10C~70C
VOLTAGE AVAILABLE: 5V, 12V, 24V
*:-10C~60C for fans with sleeve/ball combination bearings.

Specifications(Nominal)

*: Noise is measured at the distance of one(1) meter from the axis of intake.

Frame size (mm)	Model No.	Bearing System Type	Rated Voltage (v)	Rated Current (A)	Rated Power (W)	Rated Speed (rpm)	Maximum AirFlow		Maximum Pressure		Noise Level (dB/A)	Weight (g)
							(CMM)	(CFM)	(InAq)	(mmAq)		
50x50x10	AD0505HB-G70(T)		5	0.23	1.15	5000	0.334	11.80	0.091	2.27	26.0	18
	AD0505LB-G70(T)		5	0.12	0.60	3700	0.170	6.00	0.042	1.06	20.0	
	AD0505MB-G70(T)		5	0.18	0.90	4300	0.254	9.00	0.057	1.42	24.0	
	AD0512HB-G70(T)		12	0.15	1.08	5000	0.334	11.80	0.091	2.27	26.0	
	AD0512LB-G70(T)		12	0.10	1.20	3700	0.170	6.00	0.042	1.06	20.0	
	AD0512MB-G70(T)		12	0.12	1.44	4300	0.254	9.00	0.057	1.42	24.0	
	AD0524HB-G70(T)		24	0.11	2.64	5000	0.334	11.80	0.091	2.27	26.0	
	AD0524LB-G70(T)		24	0.09	2.16	3700	0.170	6.00	0.042	1.06	20.0	
AD0524MB-G70(T)		24	0.10	2.40	4300	0.254	9.00	0.057	1.42	24.0		

Specifications subject to change without notice.



*Motor protective circuit and third lead wire functions

0	1	2	3	4	6	7	8	9	A	B
✓					✓					

*Safety approvals

✓	✓		✓	✓	

