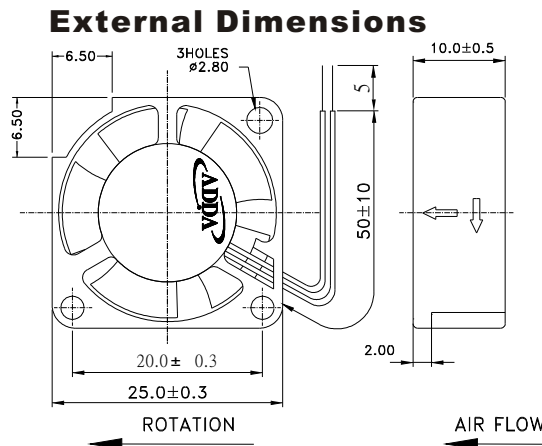
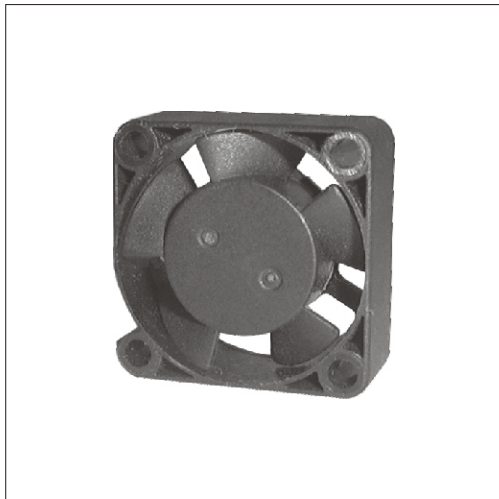


◀ **25X25X10mm Series** ▶



Spot cooling, also suitable for small space requirements, laptops PC and notebook, etc.,

Frame: Plastic (UL:94v-0)
 Impeller: Plastic (UL:94v-0)
 Bearing: Hypro bearing
 Lead wire: UL1571AWG28
 OPERATING TEMP*: -10C~70C
 VOLTAGE AVAILABLE: 5V, 12V
 *:-10C~60C for fans with sleeve/ball combination bearings.

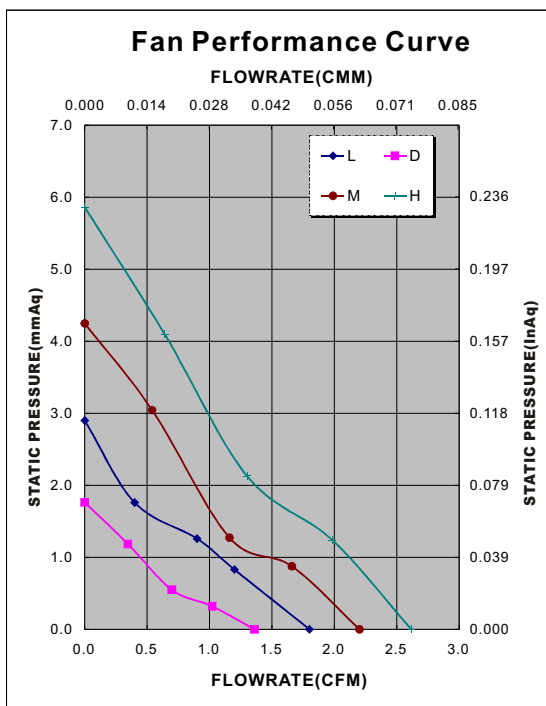
Specifications (Nominal)

*: Noise is measured at the distance of one (1) meter from the axis of intake.

Frame size (mm)	Model No.	Bearing System Type	Rated Voltage (v)	Rated Current (A)	Rated Power (W)	Rated Speed (rpm)	Maximum AirFlow		Maximum Pressure		Noise Level (dB/A)	Weight (g)
							(CMM)	(CFM)	(InAq)	(mmAq)		
25x25x10	AD0205LX-G50GL		5	0.10	0.50	8000	0.051	1.80	0.116	2.90	15.6	8
	AD0205MX-G50GL		5	0.12	0.60	10000	0.062	2.20	0.170	4.25	23.1	
	AD0205HX-G50GL		5	0.18	0.90	12000	0.074	2.62	0.235	5.86	28.0	
	AD0212LX-G50GL		12	0.07	0.35	8000	0.051	1.80	0.116	2.90	15.6	
	AD0212MX-G50GL		12	0.08	0.40	10000	0.062	2.20	0.170	4.25	23.1	
	AD0212HX-G50GL		12	0.09	0.45	12000	0.074	2.62	0.235	5.86	28.0	
	AD0205LX-G51GL		5	0.10	0.50	8000	0.051	1.80	0.116	2.90	15.6	
	AD0205MX-G51GL		5	0.12	0.60	10000	0.062	2.20	0.170	4.25	23.1	
	AD0205HX-G51GL		5	0.18	0.90	12000	0.074	2.62	0.235	5.86	28.0	
	AD0212LX-G51GL		12	0.07	0.35	8000	0.051	1.80	0.116	2.90	15.6	
	AD0212MX-G51GL		12	0.08	0.40	10000	0.062	2.20	0.170	4.25	23.1	
	AD0212HX-G51GL		12	0.09	0.45	12000	0.074	2.62	0.235	5.86	28.0	

Bearing type: =Ball =Sleeve =1B1S =Hypro bearing

Specifications subject to change without notice.



*Motor protective circuit and third lead wire functions

0	1	2	3	4	6	7	8	9	A	B
✓	✓	✓	✓		✓					✓

*Safety approvals

✓	✓			✓	✓					

