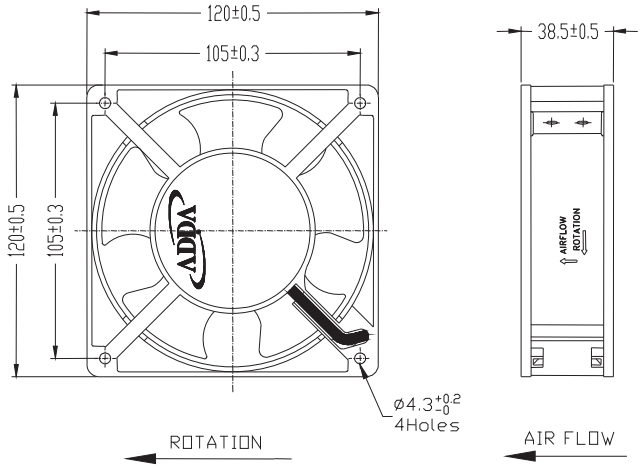




External Dimensions



Frame: Aluminum Alloy
 Impeller: Plastic (UL:94V-0)
 Motor Structure: Shaded Pole Induction Motor.
 Motor Protection: Impedance Protect.
 Lead wire: UL 1430AWG22
 OPERATING TEMP*: -10°C~70°C
 *: -10°C~60°C for fans with sleeve/ball combination bearings.

Specifications(Nominal)

*: Noise is measured at the distance of one (1) meter from the axis of intake.

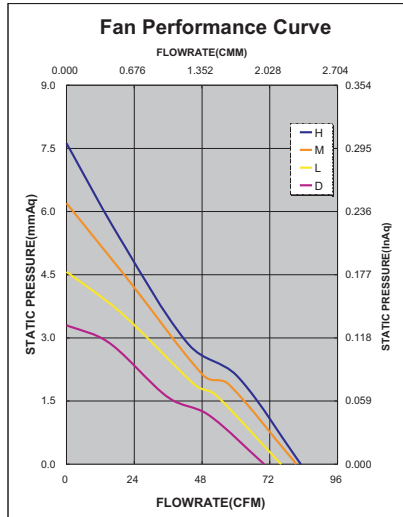
Bearing type: ◎=Ball ※=Sleeve ○=1B1S ●=Hypro bearing

Frame size (mm)	Model No.	Bearing System Type	Volt. (VAC)	Freq. (Hz)	Current (A)	Power (W)	Rated Speed (rpm)	Maximum AirFlow (CMM)	Maximum AirFlow (CFM)	Maximum Pressure (InAq)	Maximum Pressure (mmAq)	*Noise Level (dB/A)	Weight (g)
120x120x38	AA1281HB-AT	◎ ※	115	50/60	0.23/0.18	17.00/14.00	2700/3000	2.348/2.674	83.0/94.5	0.300/0.350	7.620/8.890	42.2/44.5	550
	AA1282HB-AT		230		0.13/0.10	30.40/23.50		30.40/23.50					
	AA1281MB-AT	◎ ※	115	50/60	0.16/0.14	18.80/16.00	2600/2800	2.306/2.462	81.5/87.0	0.244/0.210	6.197/5.334	41.0/43.0	
	AA1282MB-AT		230		0.08/0.07	18.40/16.00		18.40/16.00					
	AA1281LB-AT	◎ ※	115	50/60	0.10/0.09	11.70/10.80	2400/2200	2.150/1.924	76.0/68.0	0.180/0.100	4.572/2.540	40.1/37.9	
	AA1282LB-AT		230		0.05/0.04	7.10/6.60		7.10/6.60					
	AA1281DB-AT	◎ ※	115	50/60	0.08/0.07	9.20/8.60	2300/1700	1.981/1.514	70.0/53.5	0.130/0.060	3.302/1.524	39.2/30.5	
	AA1282DB-AT		230		0.05/0.04	10.58/8.51		10.58/8.51					

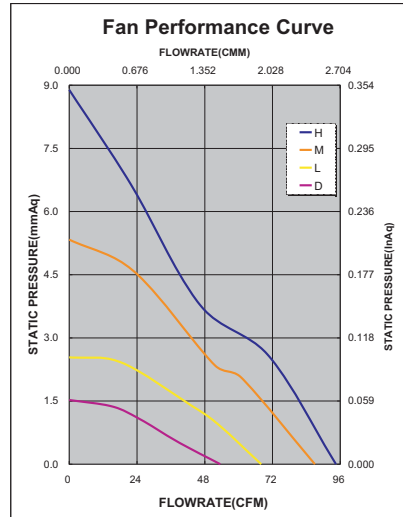
Specifications subject to change without notice.

The specification for bearing type is for reference only, for more bearing types information, please contact with your ADDA sales representative, thanks!!
 (網頁上呈現產品軸承資訊均以2Ball為主，若需其他產品資訊請聯絡您在ADDA的業務代表，謝謝!!)

50Hz



60Hz



*Safety approvals

				
✓	✓		✓	✓