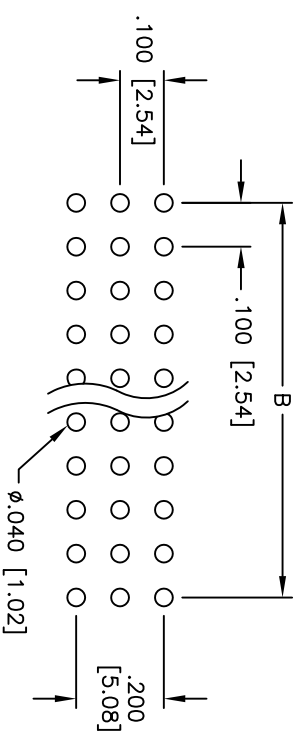
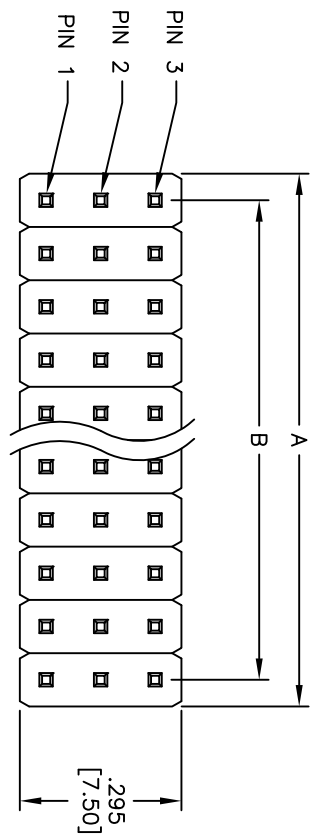
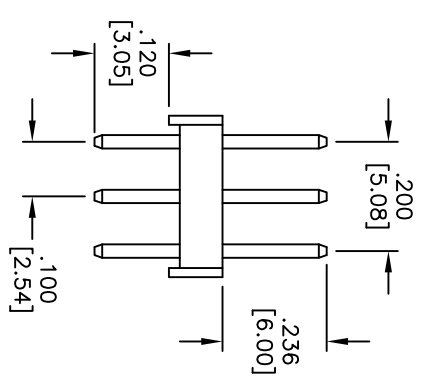
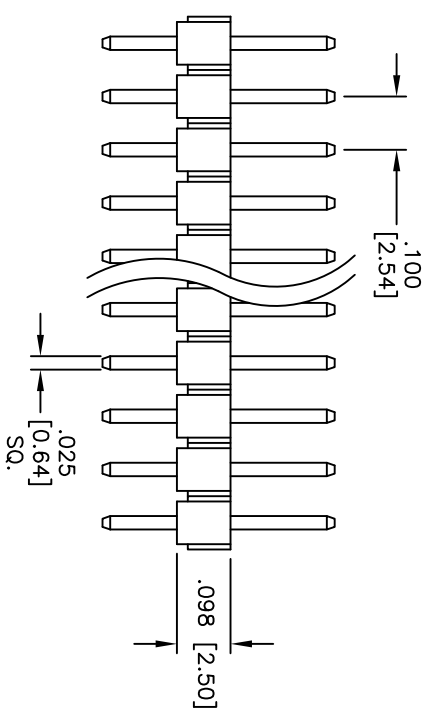


Rev	AWO #	Description	Date	Appr
-		RELEASED	2/1/13	

APPROVED: _____
 DATE: _____ TITLE: _____



PCB LAYOUT



SPECIFICATIONS:

Material: PBT, glass reinforced, rated UL 94V-0
Insulator color: Black
Contacts: Brass
Plating: 30u" Gold over Nickel underplate on mating area, Tin over Copper underplate on solder tails.
Electrical:
 Current rating: 3 Amps max
 Contact resistance: 20 mohms max
 Insulation resistance: 5,000 Mohms min @ 500 VDC
 Dielectric withstanding voltage: 500 VAC for 1 minute
Temperature Rating:
 Operating temperature: -40°C to +105°C
Environmental:
 Lead free, RoHS compliant

Positions: 6 thru 120
 A = .100 [2.54] x No. of Positions per Row
 B = .100 [2.54] x No. of Spaces

UNLESS OTHERWISE SPECIFIED
 ALL DIMENSIONS ARE INCHES [MM]
 TOLERANCES: EXCEPT AS NOTED

INCHES	HOLES
.X ± .10	ØXX ± .10
.XX ± .020	ØXXX ± .015
.XXX ± .015	ØXXXX ± .010

APPROVALS

DATE	APPROVALS
2/1/13	AY
2/1/13	YC

ADAM TECH
 909 Railway Avenue, Union, NJ 07083
 Phone: 908-687-5000 Fax: 908-687-5710

ADAM TECH
 .100 [2.54] TRIPLE ROW PIN HEADER
 30u" SEI GOLD PLATED

SIZE	PART NO.	SCALE	SHEET 1 OF 1
X	PH3-XX-WA	NIS	1

REV. _____