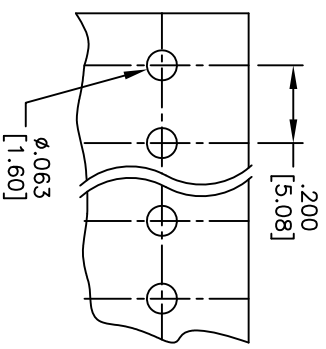
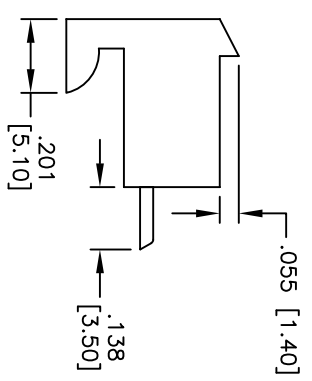
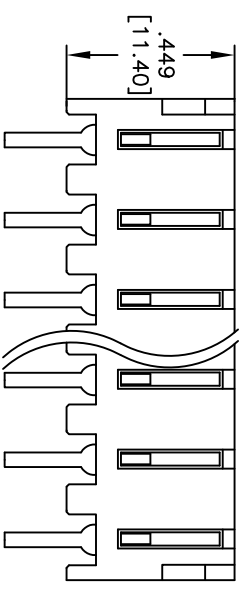
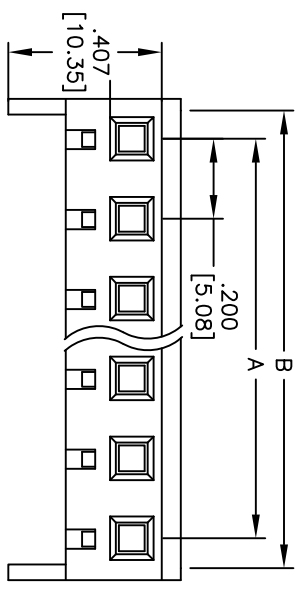


Rev	AWO #	Description	Date	Appr
-		RELEASED	11/13/09	

APPROVED: \_\_\_\_\_

DATE: \_\_\_\_\_ TITLE: \_\_\_\_\_



RECOMMENDED PCB LAYOUT

Positions: 02 thru 20  
 A = .200 [5.08] x No. of Positions  
 B = .200 [5.08] x No. of Spaces

**SPECIFICATIONS:**

**Material:**

Insulator: Nylon 66, rated UL 94V-2

Insulator color: Natural

Mates with .045" [1.14mm] square pins

**Plating:**

Tin over Copper underplate overall

**Electrical:**

Operating voltage: 250 VAC max.

Current rating: 7 Amps max.

Contact resistance: 10 mohms max. initial

Insulation resistance: 5,000 Mohms min.

Dielectric withstanding voltage: 1,500 VAC for 1 minute

**Mechanical:**

Recommended PCB thickness: 0.063" (1.60mm)

**Temperature Rating:**

Operating temperature: -40°C to +105°C

**Environmental:**

Lead free, RoHS compliant

Recommended soldering temp: 235°C for 5 seconds



UNLESS OTHERWISE SPECIFIED  
 ALL DIMENSIONS ARE INCHES [MM]  
 TOLERANCES: EXCEPT AS NOTED  
 INCHES Holes  
 .X ± .10 ØXX ± .10  
 .XX ± .020 ØXXX ± .015  
 .XXX ± .015 ØXXXX ± .010

APPROVALS  
 DRAWN DY 11/13/09  
 CHECKED  
 APPROVED

**ADAM TECH**  
 909 Rahway Avenue, Union, NJ 07083  
 Phone: 908-687-5000 Fax: 908-687-5710

TITLE: .200 [5.08] PCB CONNECTOR WITH LOCKING RAMP

SIZE	PART NO.	REV.
X	PCF-A-XX	-
REF: S0023T	SCALE: NTS	SHEET 1 OF 1