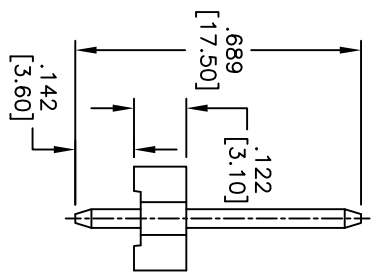
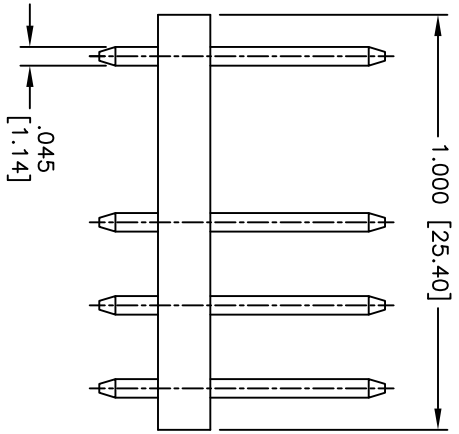
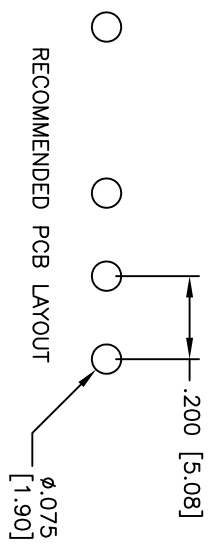
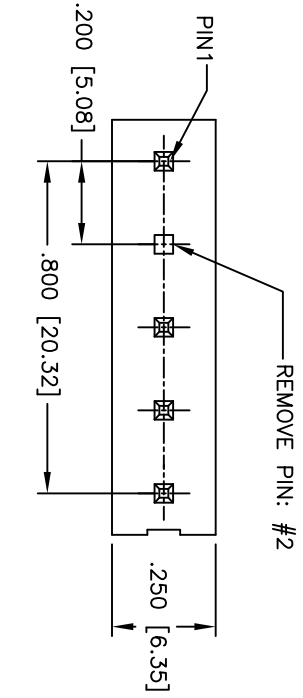


| Rev | AWO # | Description | Date | Appr |
|-----|-------|-------------|----------|------|
| - | | RELEASED | 12/09/10 | |

APPROVED: _____
 DATE: _____ TITLE: _____



SPECIFICATIONS:

Material: Nylon 66, rated UL 94V-2
 Insulator color: White
 Contacts: Brass
 Plating: Tin over Copper underplate overall

Electrical:
 Operating voltage: 250V AC,DC
 Current rating: 7A AC,DC
 Contact resistance: 10 mohms max
 Insulation resistance: 1,000 Mohms min
 Dielectric withstanding voltage: 1,500 VAC for 1 minute
 Temperature Rating:
 Operating temperature: -25°C to +85°C
 Temperature Rating:
 Anti-static plastic bags



Environmental:
 Lead free, RoHS compliant
 Recommended soldering temp: 235°C for 5 seconds

ADAM TECH

909 Rahway Avenue, Union, NJ 07083
 Phone: 908-687-5000 Fax: 908-687-5710

TITLE: .200 [5.08] POWER HEADER, STRAIGHT

| | |
|--|-------------|
| UNLESS OTHERWISE SPECIFIED ALL DIMENSIONS ARE INCHES [MM] | |
| TOLERANCES: EXCEPT AS NOTED | |
| INCHES | HOLDS |
| .X ± .10 | ØX ± .10 |
| .XX ± .020 | ØXX ± .015 |
| .XXX ± .015 | ØXXX ± .010 |
| APPROVALS | DATE |
| DRAWN DY | 12/09/10 |
| CHECKED | |
| APPROVED | |

| | | |
|--------------|----------------|--------------|
| SIZE | PART NO. | REV. |
| X | LHF-05-SA2-X02 | - |
| REF: S00099T | SCALE: NTS | SHEET 1 OF 1 |