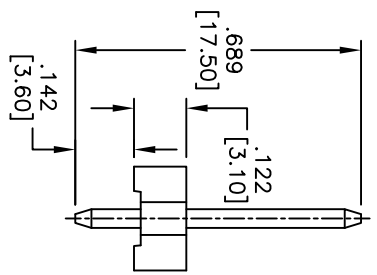
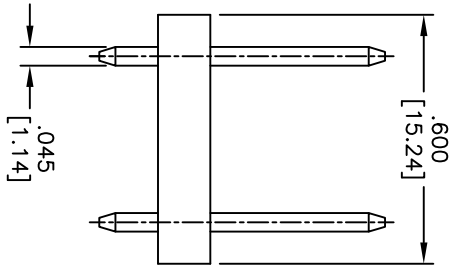
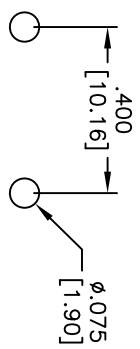
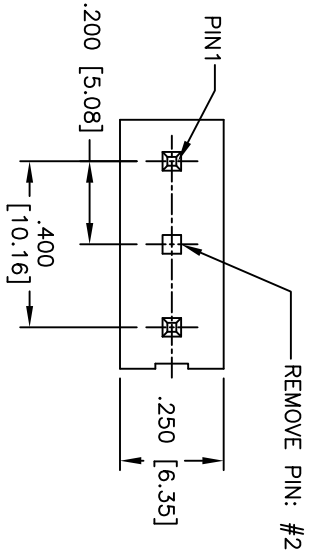


Rev	AWO #	Description	Date	Appr
-		RELEASED	12/09/10	

APPROVED: \_\_\_\_\_  
 DATE: \_\_\_\_\_ TITLE: \_\_\_\_\_



**SPECIFICATIONS:**

Material:  
 Insulator: Nylon 66, rated UL 94V-2  
 Insulator color: White  
 Contacts: Brass  
 Plating:  
 Tin over Copper underplate overall  
 Electrical:  
 Operating voltage: 250V AC,DC  
 Current rating: 7A AC,DC  
 Contact resistance: 10 mohms max  
 Insulation resistance: 1,000 Mohms min  
 Dielectric withstanding voltage: 1,500 VAC for 1 minute  
 Temperature Rating:  
 Operating temperature: -25°C to +85°C  
 Temperature Rating:  
 Anti-static plastic bags  
 Environmental:  
 Lead free, RoHS compliant  
 Recommended soldering temp: 235°C for 5 seconds



**ADAM TECH**

909 Rahway Avenue, Union, NJ 07083  
 Phone: 908-687-5000 Fax: 908-687-5710

**.200 [5.08] POWER HEADER, STRAIGHT**

UNLESS OTHERWISE SPECIFIED ALL DIMENSIONS ARE INCHES [MM] TOLERANCES EXCEPT AS NOTED INCHES		HOLE SIZE	
.X	± .10	Ø.X	± .10
.XX	± .020	Ø.XXX	± .015
.XXX	± .015	Ø.XXX	± .010
APPROVALS		DATE	
DRAWN	DY	12/09/10	
CHECKED			
APPROVED			

TITLE		PART NO.		REV.	
.200 [5.08] POWER HEADER, STRAIGHT		LHF-03-SA2-X02		-	
SIZE		SCALE		SHEET	
X		NTS		1 OF 1	
REF: S00099T					

6 5 4 3 2 1