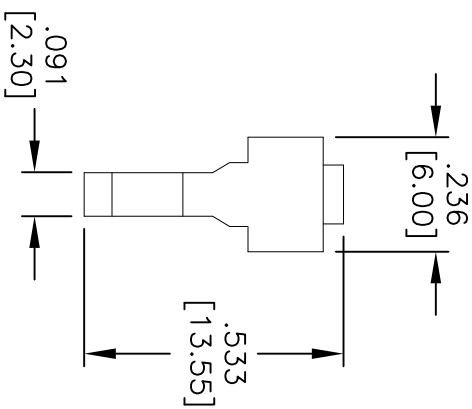
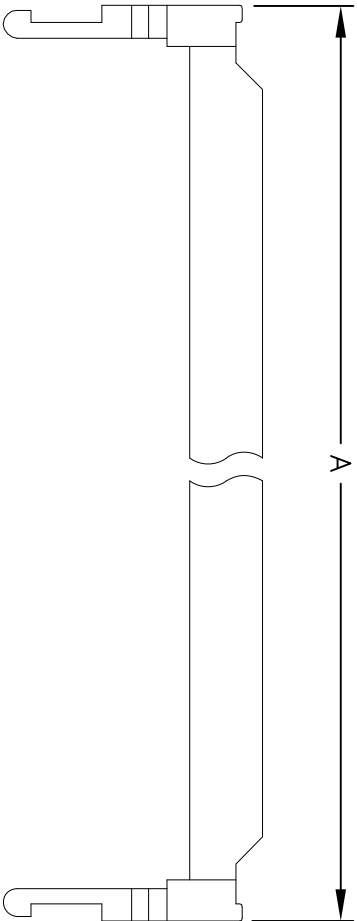


APPROVED: _____
 DATE: _____ TITLE: _____

Rev	AWO #	Description	Date	Appr
-		RELEASED	6/3/05	
A		REDRAWN	8/18/11	
B		REVISED DIM.	10/28/11	



POSITIONS	A
6	.477 [12.12]
8	.577 [14.66]
10	.677 [17.20]
12	.777 [19.74]
14	.877 [22.28]
16	.977 [24.82]
18	1.077 [27.36]
20	1.177 [29.90]
24	1.377 [34.98]
26	1.477 [37.52]
30	1.685 [42.80]
34	1.877 [47.68]
40	2.177 [55.30]
50	2.693 [68.40]

SPECIFICATIONS:
Material:
 Insulator: PBT, glass filled thermoplastic, rated UL 94V-0
 Insulator color: Black
Environmental:
 Lead free, RoHS compliant.
 Recommended soldering temp: 235°C for 5 sec.



ADAM TECH

909 Railway Avenue, Union, NJ 07083
 Phone: 908-687-5000 Fax: 908-687-5710

STRAIN RELIEF FOR FCS SERIES

UNLESS OTHERWISE SPECIFIED ALL DIMENSIONS ARE INCHES [MM] TOLERANCES: EXCEPT AS NOTED	
INCHES	HOLDS
.X ± .10	ØX ± .10
.XX ± .020	ØXXX ± .015
.XXX ± .015	ØXXX ± .010
APPROVALS	DATE
DRAWN SS	6/3/05
CHECKED	
APPROVED	

SIZE	PART NO.	REV.
X	FSR-XX	B
REF:	S00087T	SCALE: NTS
		SHEET 1 OF 1