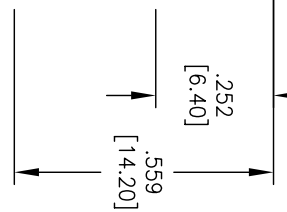
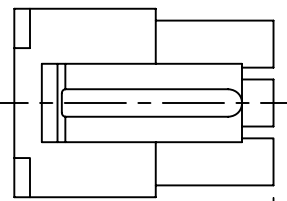
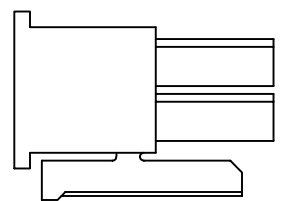
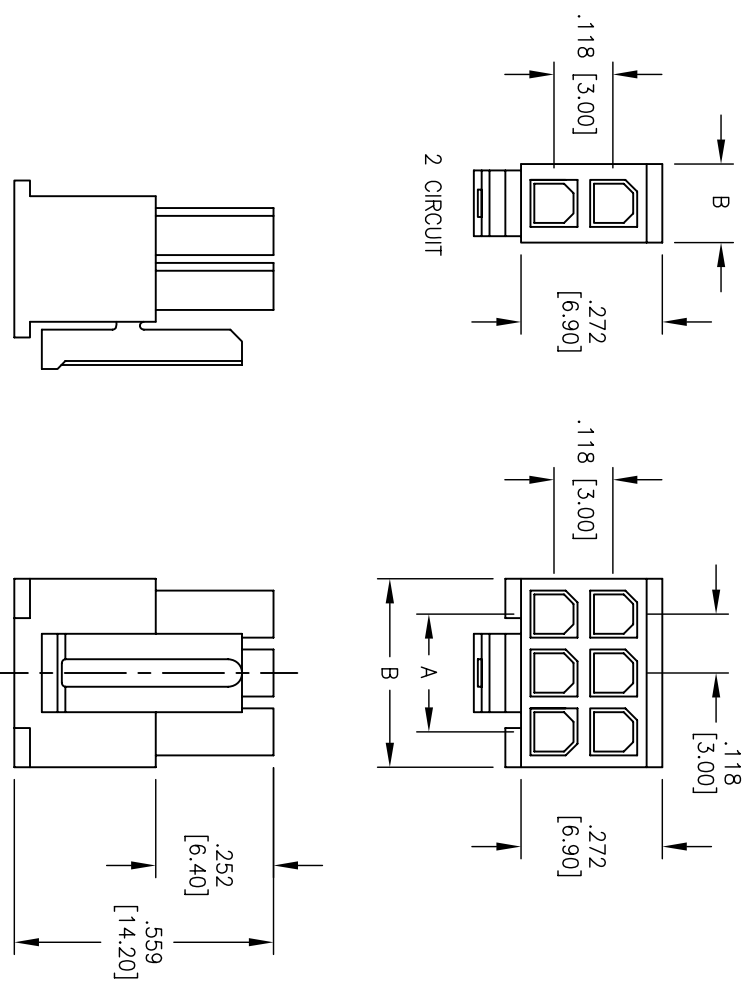


Rev	AWO #	Description	Date	Appr
-		RELEASED	9/9/04	

APPROVED: \_\_\_\_\_  
 DATE: \_\_\_\_\_ TITLE: \_\_\_\_\_

NUMBER OF POSITIONS	DIM. A	DIM. B
02	N/A	.157 [4.00]
04	.118 [3.00]	.275 [7.00]
06	.236 [6.00]	.394 [10.00]
08	.354 [9.00]	.512 [13.00]
10	.472 [12.00]	.629 [16.00]
12	.591 [15.00]	.748 [19.00]
14	.709 [18.00]	.866 [22.00]
16	.827 [21.00]	.984 [25.00]
18	.954 [24.00]	1.102 [28.00]
20	1.063 [27.00]	1.220 [31.00]
22	1.181 [30.00]	1.340 [34.00]
24	1.299 [33.00]	1.456 [37.00]



**SPECIFICATIONS:**  
 Material: Nylon 66, rated UL 94V-0  
 Insulator color: Black

**Electrical:**  
 Operating voltage: 250 VAC RMS max  
 Current rating: 20 Awg: 5 Amps max  
 22 Awg: 5 Amps max  
 24 Awg: 4 Amps max  
 26 Awg: 3 Amps max  
 28 Awg: 2 Amps max  
 30 Awg: 1 Amp max.

**Mechanical:**  
 Insulation resistance: 1000 Mohms min @ 500 VDC  
 Dielectric withstanding voltage: 1500 VAC for 1 minute  
 Wire size: 20 Awg thru 30 Awg  
 Temperature Rating: Operating temperature: -25°C to +120°C

Environmental: Lead free, RoHS compliant.



**ADAM TECH**

909 Railway Avenue, Union, NJ 07083  
 Phone: 908-687-5000 Fax: 908-687-5710

TITLE: .118" [3.0mm] CRIMP HOUSING, MULTIRROW LATCHING TYPE

UNLESS OTHERWISE SPECIFIED ALL DIMENSIONS ARE MM [INCHES]	
TOLERANCES: EXCEPT AS NOTED	
INCHES	HILES
.XX ± .10	ØXX ± .10
.XX ± .020	ØXX ± .015
.XXX ± .015	ØXXX ± .010
APPROVALS	DATE
SS	9/9/04
CHECKED	
APPROVED	

SIZE	PART NO.	REV.
X	DMT-2-XX	-
REF:	SCALE: NTS	SHEET 1 OF 1