

MICROPROCESSOR CRYSTALS MOLDED PLASTIC SURFACE MOUNT ABSM



FEATURES:

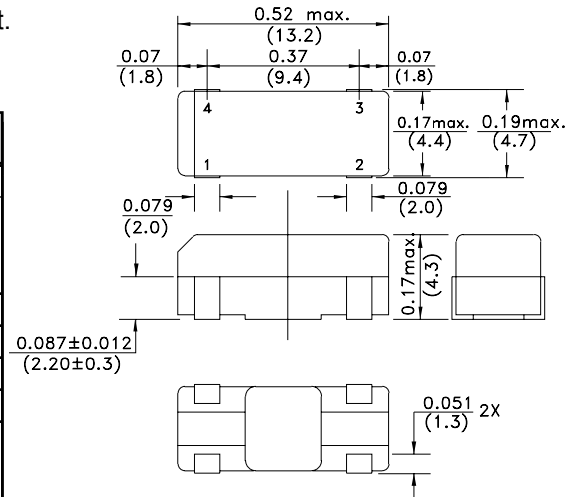
- Wide frequency range.
- Economical surface mount design.
- Excellent heat resistance.
- Suitable for solder reflow.

APPLICATIONS:

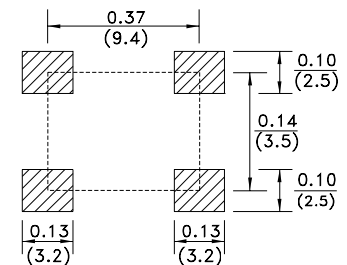
- Communication equipment.
- Measuring instruments.
- A/V equipment.

STANDARD SPECIFICATIONS

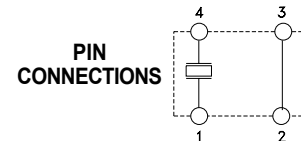
Frequency Range	3.57MHz - 70MHz
Operation Mode	3.57MHz ~ 25MHz (Fundamental) 25.01MHz ~ 45MHz (Fund. BT or AT) 30.0MHz ~ 70MHz (3rd overtone)
Operating Temperature	-10°C to +60°C (See Options)
Storage Temperature	- 40° to +85°C
Frequency Tolerance @ 25°C	±50ppm max. (See Options)
Frequency Stability over Temp.	±100ppm max. (See Options)
Equivalent Series Resistance (ESR)	200 Ω max. for 3.57MHz ≤ F < 4.0MHz 150 Ω max. for 4.0MHz ≤ F < 5.0MHz 120 Ω max. for 5.0MHz ≤ F < 6.0MHz 100 Ω max. for 6.0MHz ≤ F < 7.0MHz 80 Ω max. for 7.0MHz ≤ F < 9.0MHz 60 Ω max. for 9.0MHz ≤ F < 13.0MHz 40 Ω max. for 13.0MHz ≤ F ≤ 45.0MHz
	Fundamental
	3rd Overtone
Shunt Capacitance C ₀	7pF max.
Load Capacitance C _L	18pF (See Options)
Drive Level	100μW max.
Aging @ 25°C per Year	±5ppm max.
Insulation Resistance	500MΩ min. at 100Vdc ±15V



Recommended land pattern



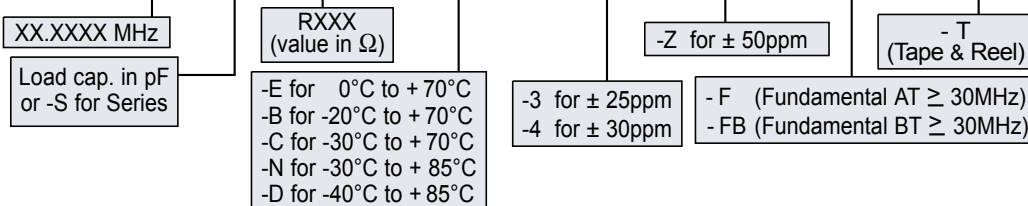
Dimensions: Inches (mm)



Environmental, and mechanical specifications, see appendix C. Group 2.
Marking, see appendix G. Recommended handling, see appendix F.
Tape and Reel, see appendix H.(1,000 pcs/reel)
Reflow profile, see appendix E. Application notes, see appendix A.

ORDERING OPTIONS

ABSM - Frequency - CL - ESR - Temperature - Tolerance - Stability - Mode - Packaging



NOTE: Left blank if standard • All specifications and markings subject to change without notice

ABRACON IS
ISO 9001 / QS 9000
CERTIFIED

29 Journey • Aliso Viejo, CA 92656 • USA
(949) 448-7070 • FAX: (949) 448-8484

E-MAIL: abinfo@abracon.com • INTERNET ADDRESS: www.abracon.com

